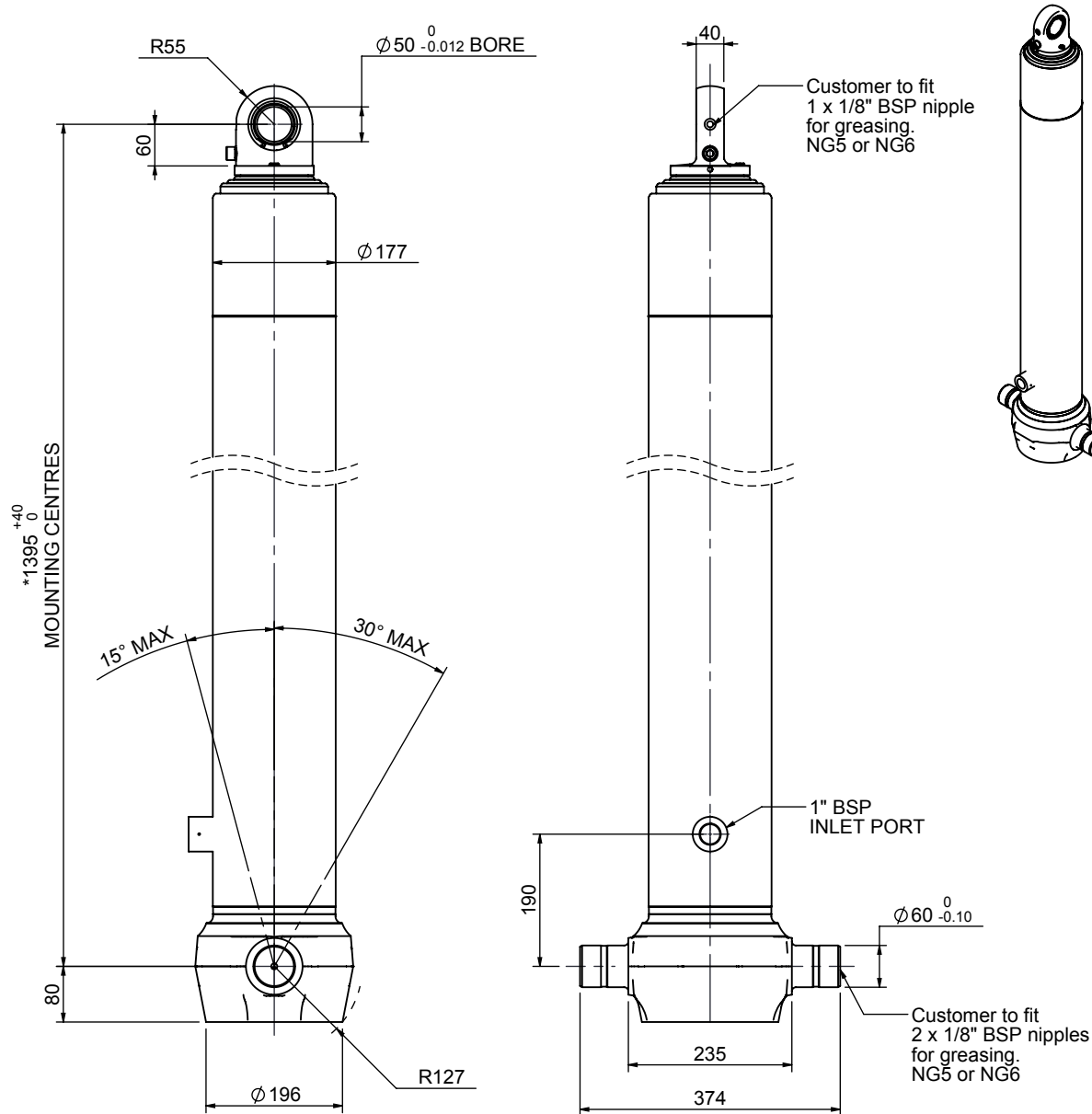


# Cylinder 4 stage front end with spherical eye

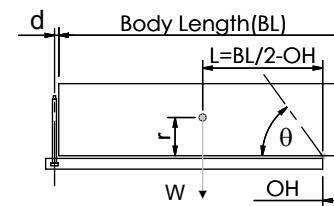


\*Includes 9mm Pull Out. Last Stage Chrome Plated

## CS150S44606B19A01

SPECIFICATION		TIPPING CAPACITY : 36-52 TONNES***		
Stage	Diameter	Length	Stroke	Swept Volume
-	-	-	-	-
-	-	-	-	-
0	177	1375	-	-
1	155	1340	1127	21
2	136	1340	1147	17
3	117	1340	1162	12
4	98	1340	1167	9
Total (+5/-10)			4603	59
Final stroke reduced by	0	Priming Volume		15
Cylinder Mass (Kg)	159	Total Volume (Litres)		74
Maximum Pressure (Bar)	190	Max. first stage thrust		230 KN

### \*\*\*TIPPING CAPACITY AT WORKING PRESSURE



BODY LENGTH (BL)						OH
6050		6300		6550		
39	47°	38	45°	36	43°	150
44	50°	42	47°	40	45°	450
52	53°	48	50°	46	48°	750

d = 0; r = 750; Working Pressure 175 bar

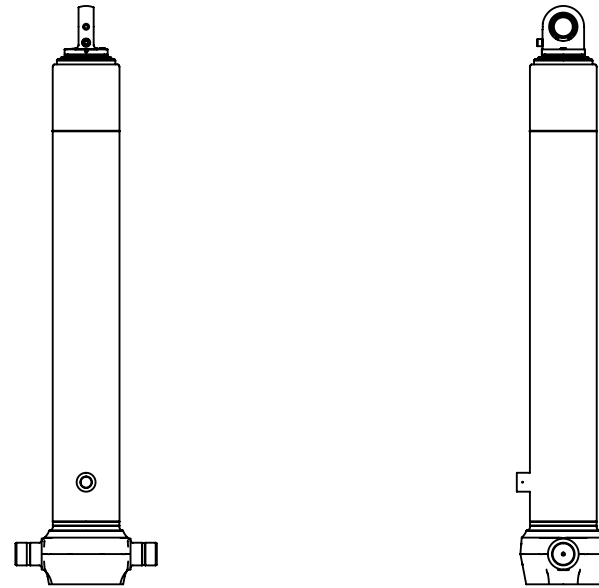
#### For guidance only;

Higher working pressures and tipping capacities may be possible.

To check your application email - [applications@edbro.co.uk](mailto:applications@edbro.co.uk)

#### NOTES

- This cylinder is for lifting purposes only and side load conditions should be avoided
- Cylinder is painted in primer paint to RAL5013
- Refer to [www.edbro.com](http://www.edbro.com) for:-
  - Bracket details
  - Installation instructions that must be observed
  - Correct oil selection
  - An explanation of tipping capacity



CS150S44606B19A01