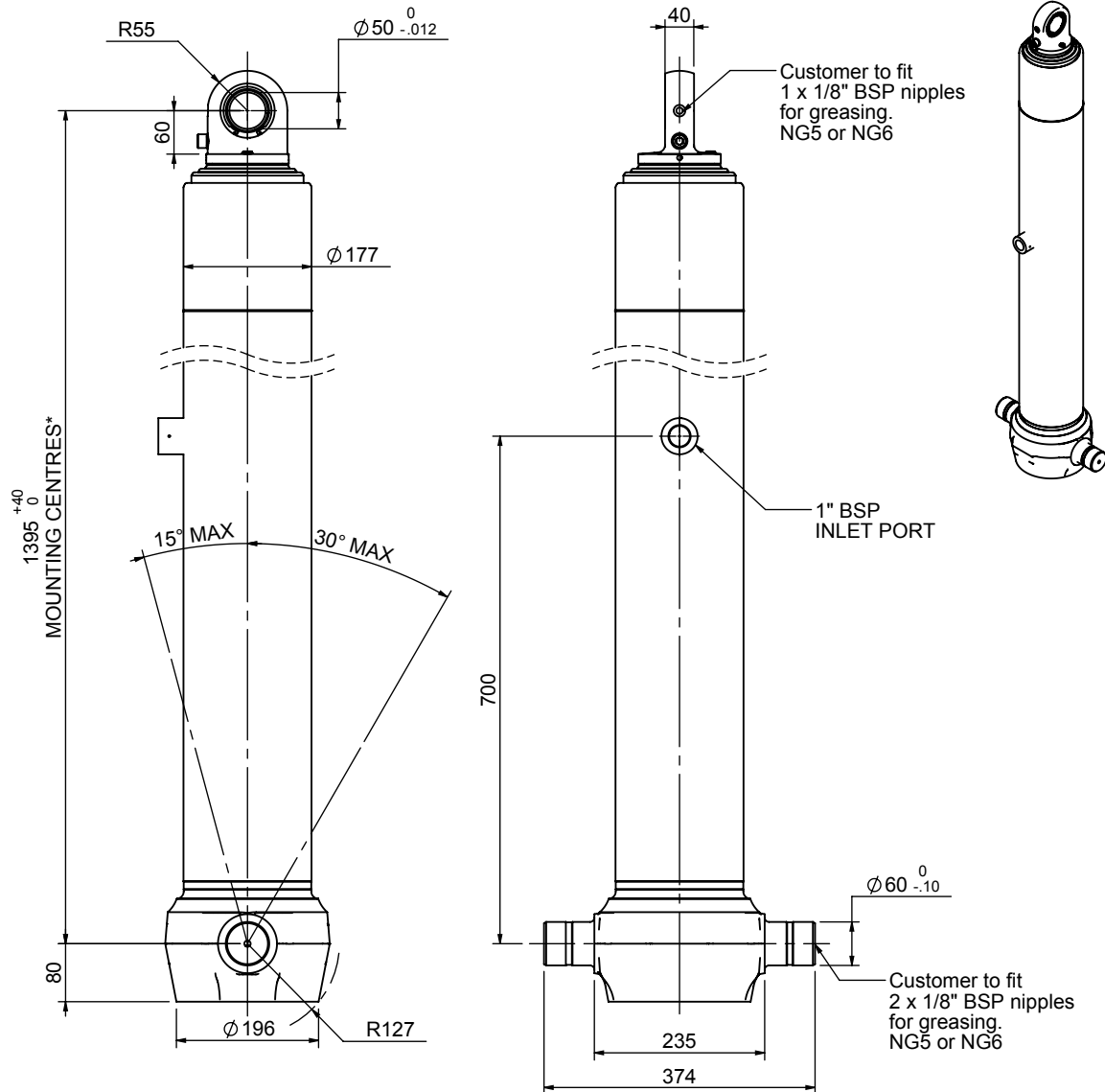


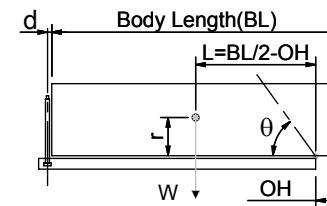
Cylinder 4 stage front end with spherical eye



CS150S44606B70A01

SPECIFICATION		TIPPING CAPACITY : 31-44 TONNES***		
Stage	Diameter	Length	Stroke	Swept Volume
-	-	-	-	-
-	-	-	-	-
0	177	1375	-	-
1	155	1340	1127	21
2	136	1340	1147	17
3	117	1340	1162	12
4	98	1340	1167	9
Total (+5/-10)			4603	59
Final stroke reduced by	0	Priming Volume		15
Cylinder Mass (Kg)	159	Total Volume (Litres)		74
Maximum Pressure (Bar)	175	Max. first stage thrust		230 KN

***TIPPING CAPACITY AT WORKING PRESSURE



BODY LENGTH (BL)						OH
6050	6300	6550				
33	47°	32	45°	31	43°	150
38	50°	36	47°	34	45°	450
44	53°	41	50°	39	48°	750

$d = 0$; $r = 900$; Working Pressure 150 bar

For guidance only;

Higher working pressures and tipping capacities may be possible.

To check your application email - applications@edbro.co.uk

NOTES

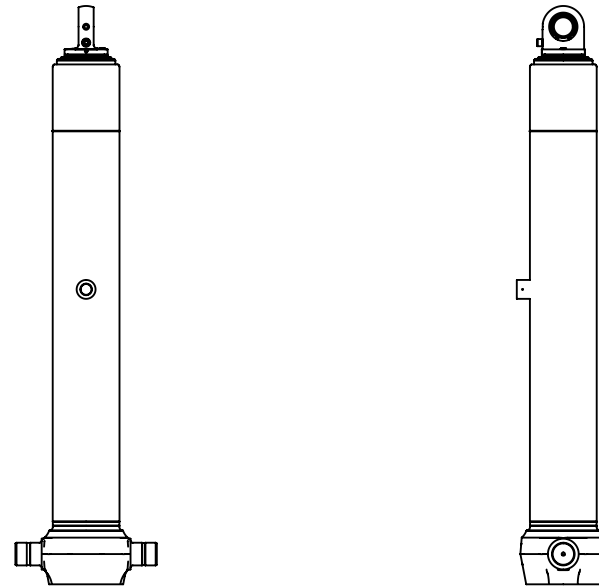
1. This cylinder is for lifting purposes only and side load conditions should be avoided
2. Cylinder is painted in primer paint to RAL5013
3. Refer to www.edbro.com for:-
 - Bracket details
 - Installation instructions that must be observed
 - Correct oil selection
 - An explanation of tipping capacity

*Includes 9 mm Pull Out.
Last Stage Chrome Plated

Edbro
SETTING THE INDUSTRY STANDARD

Edbro plc
Nelson Street, Bolton, England, BL3 2JJ
Tel +44 (0) 1204 528888 Fax +44 (0) 1204 531957
Email: postmaster@edbro.com Web: www.edbro.com

Technical Specifications are subject to change without notice
Date Created/Updated: 22 August 2014
Refer www.edbro.com to confirm latest specification
All dimensions are in 'mm', unless otherwise stated



CS150S44606B70A01