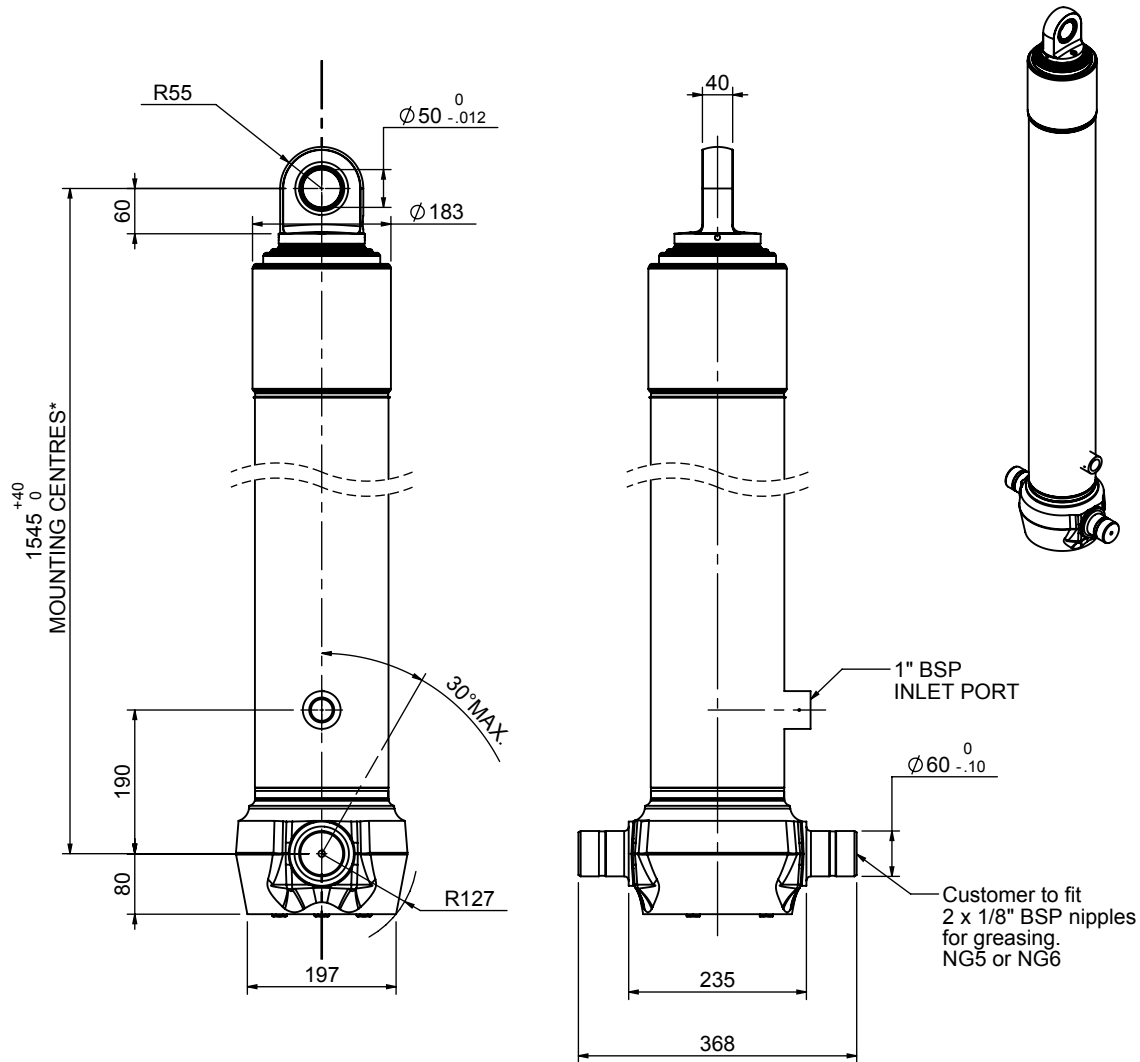


Cylinder 4 stage front end with spherical eye

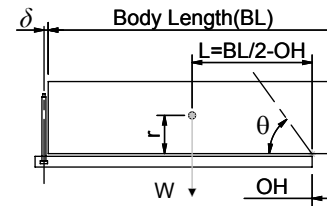
CS150S44856N19E01C



SPECIFICATION		RATED CAPACITY : SEE BELOW		
Stage	Diameter	Length	Stroke	Swept Volume
-	-	-	-	-
-	-	-	-	-
0	177	1525	-	-
1	155	1490	1205	24
2	136	1490	1222	18
3	117	1490	1312	14
4	98	1490	1117	8
Final stroke reduced by	200	Total (+5/-10)	4856	64
Cylinder Mass (Kg)	170	Priming Volume		16.9
Rated Pressure (Bar)	175	Total Volume (Litres)		80.9
Maximum Pressure (Bar)	175	Test Pressure (bar)		263

***TIPPING CAPACITY AT RATED PRESSURE

$d = 0 ; r = 900$



Refer customer to approval drawing

For guidance only;

Higher Rated Pressures may be possible. To check your application, email Edbro plc at <applications@edbro.co.uk>

NOTES

- If hydraulic pressure is used to limit overloading, the system relief valve must be set to the Rated Pressure unless agreed otherwise by Edbro
- The system relief valve can be set to Maximum Pressure if the load is limited by other means. See RATINGS page for advice
- This cylinder is for lifting purposes only and sload conditions must be avoided
- Cylinder is painted in primer paint to RAL5013
- See bracket options page BRKT01, BRKT02
- See installation instructions INSTALL01
- Use oil according to specification OIL01

*Include 9mm Pull Out
All Stages Chrome Plated

Edbro
SETTING THE INDUSTRY STANDARD

Edbro plc
Nelson Street, Bolton, Lancashire BL3 2JJ UK
Tel +44 (0) 1204 528888 Fax +44 (0) 1204 531957
Email: postmaster@edbro.com Web: www.edbro.com

Technical Specifications are subject to change without notice
Date Created/Updated: 20 November 2009 09:05:00
Refer www.edbro.com to confirm latest specification
All dimensions are in 'mm', unless otherwise stated