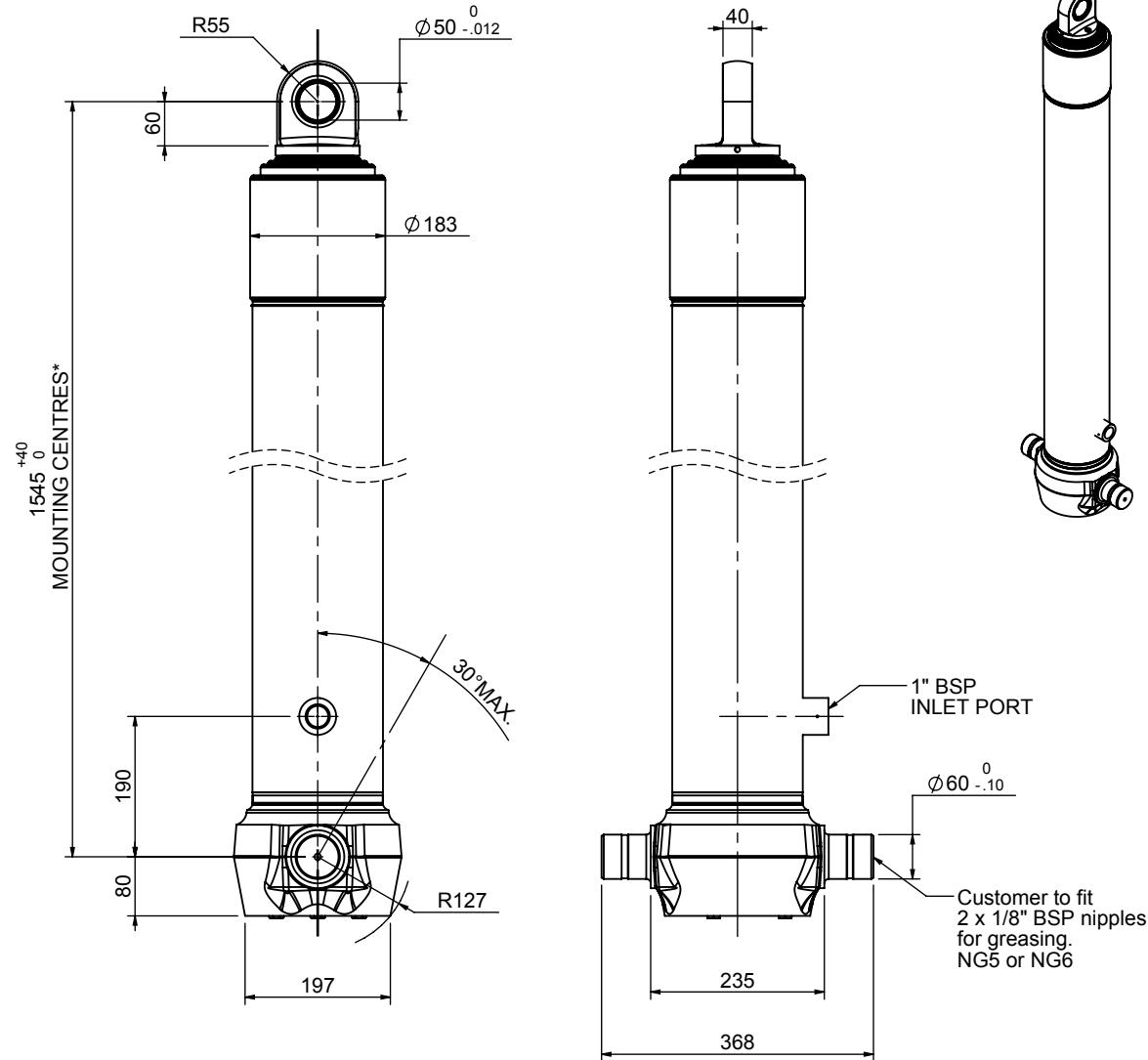


# Cylinder 4 stage front end with spherical eye



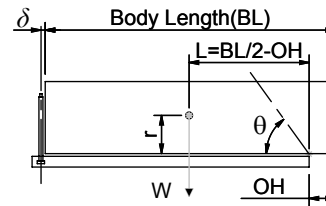
\*Include 9mm Pull Out  
All Stages Chrome Plated

# CS150S44956N19F01C

SPECIFICATION		RATED CAPACITY : SEE BELOW		
Stage	Diameter	Length	Stroke	Swept Volume
-	-	-	-	-
-	-	-	-	-
0	177	1525	-	-
1	155	1490	1277	24
2	136	1490	1297	19
3	117	1490	1312	14
4	98	1490	1067	8
Final stroke reduced by	250	Total (+5/-10)	4953	65
Cylinder Mass (Kg)	170	Priming Volume		16.9
Rated Pressure (Bar)	175	Total Volume (Litres)		81.9
Maximum Pressure (Bar)	175	Max. first stage thrust	230 KN	

### \*\*\*TIPPING CAPACITY AT RATED PRESSURE

d = 0 ; r = 900



Refer customer to approval drawing

### For guidance only;

Higher Rated Pressures may be possible. To check your application, email Edbro plc at <applications@edbro.co.uk>

### NOTES

- If hydraulic pressure is used to limit overloading, the system relief valve must be set to the Rated Pressure unless agreed otherwise by Edbro
- The system relief valve can be set to Maximum Pressure if the load is limited by other means. See RATINGS page for advice
- This cylinder is for lifting purposes only and sload conditions must be avoided
- Cylinder is painted in primer paint to RAL5013
- See bracket options page BRKT01, BRKT02
- See installation instructions INSTALL01
- Use oil according to specification OIL01