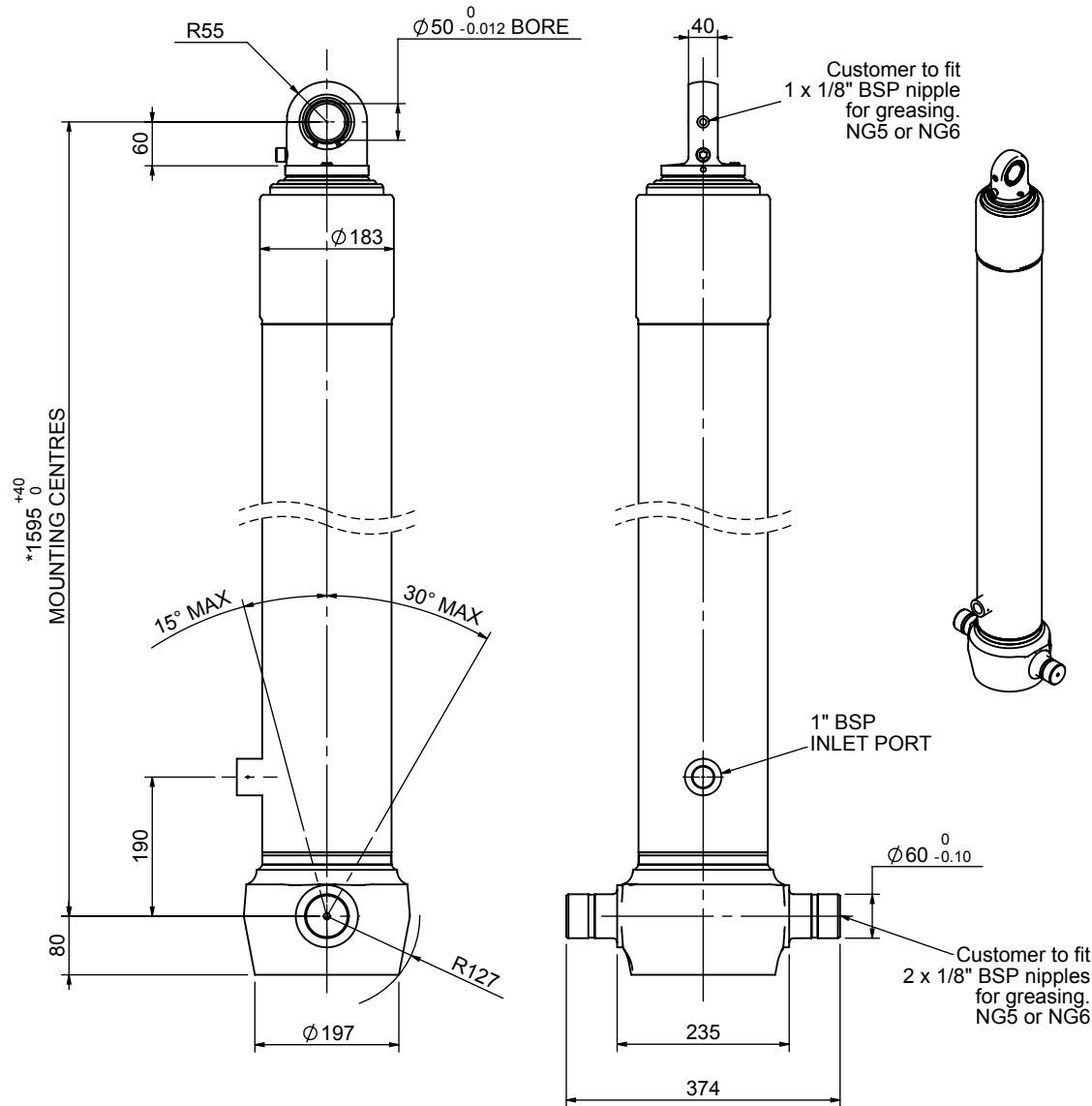


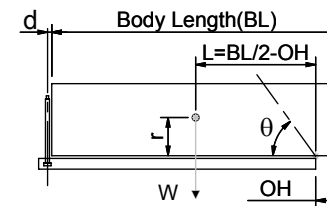
# Cylinder 4 stage front end with spherical eye

CS150S45406B19A01



SPECIFICATION		TIPPING CAPACITY : 27-38 TONNES***		
Stage	Diameter	Length	Stroke	Swept Volume
-	-	-	-	-
-	-	-	-	-
0	177	1575	-	-
1	155	1540	1327	25
2	136	1540	1347	20
3	117	1540	1362	15
4	98	1540	1367	10
Total (+5/-10)			5403	70
Final stroke reduced by	0	Priming Volume		18
Cylinder Mass (Kg)	179	Total Volume (Litres)		88
Maximum Pressure (Bar)	190	Max. first stage thrust		225 KN

### \*\*\*TIPPING CAPACITY AT WORKING PRESSURE



BODY LENGTH (BL)						OH
6750	7250	7750				
30	49°	28	46°	27	42°	150
33	52°	31	48°	29	44°	450
38	55°	34	50°	32	46°	750

d = 0; r = 750; Working Pressure 135 bar

#### For guidance only;

Higher working pressures and tipping capacities may be possible.  
To check your application email - [applications@edbro.co.uk](mailto:applications@edbro.co.uk)

#### NOTES

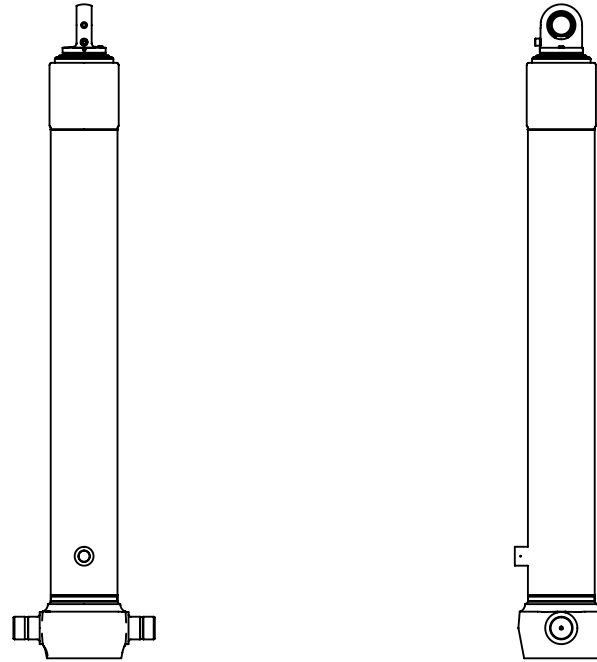
1. This cylinder is for lifting purposes only and side load conditions should be avoided
2. Cylinder is painted in primer paint to RAL5013
3. Refer to [www.edbro.com](http://www.edbro.com) for:-
  - Bracket details
  - Installation instructions that must be observed
  - Correct oil selection
  - An explanation of tipping capacity

\*Includes 9mm Pull Out.  
Last Stage Chrome Plated



**Edbro plc**  
Nelson Street, Bolton, England, BL3 2JJ  
Tel +44 (0) 1204 528888 Fax +44 (0) 1204 531957  
Email: [postmaster@edbro.com](mailto:postmaster@edbro.com) Web: [www.edbro.com](http://www.edbro.com)

Technical Specifications are subject to change without notice  
Date Created/Updated: 04 September 2012  
Refer [www.edbro.com](http://www.edbro.com) to confirm latest specification  
All dimensions are in 'mm', unless otherwise stated



CS150S45406B19A01