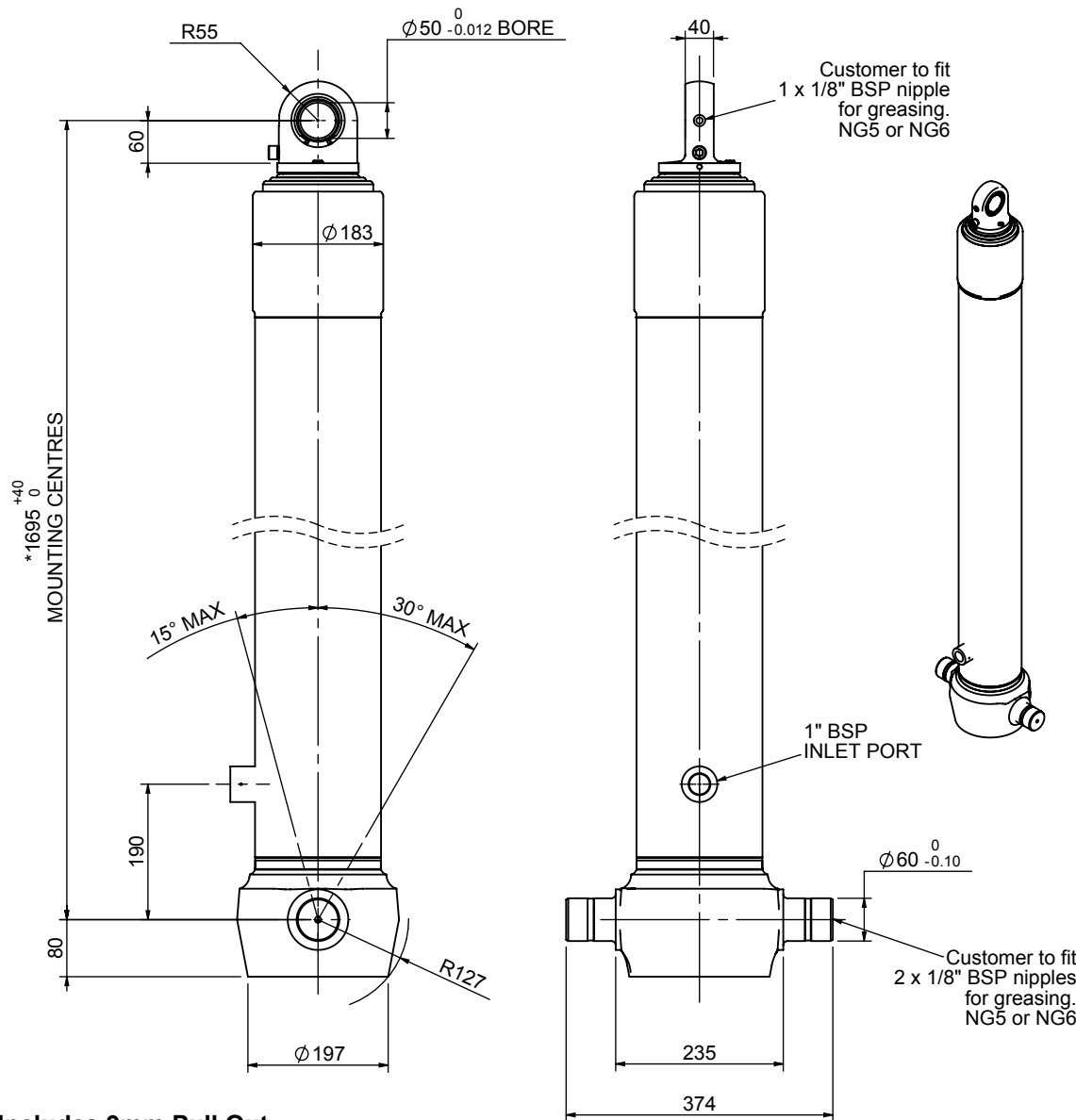


Cylinder 4 stage front end with spherical eye

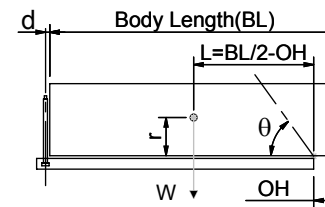
CS150S45806B19A01



*Includes 9mm Pull Out.
Last Stage Chrome Plated

SPECIFICATION		TIPPING CAPACITY : 24-32 TONNES***		
Stage	Diameter	Length	Stroke	Swept Volume
-	-	-	-	-
-	-	-	-	-
0	177	1675	-	-
1	155	1640	1427	27
2	136	1640	1447	21
3	117	1640	1462	16
4	98	1640	1467	11
Total (+5/-10)			5803	75
Final stroke reduced by	0	Priming Volume		19
Cylinder Mass (Kg)	188	Total Volume (Litres)		94
Maximum Pressure (Bar)	190	Max. first stage thrust		225 KN

***TIPPING CAPACITY AT WORKING PRESSURE



BODY LENGTH (BL)						OH
7250	7750	8250				
26	49°	25	46°	24	43°	150
29	52°	27	48°	26	44°	450
32	55°	30	50°	28	46°	750

d = 0; r = 750; Working Pressure 120 bar

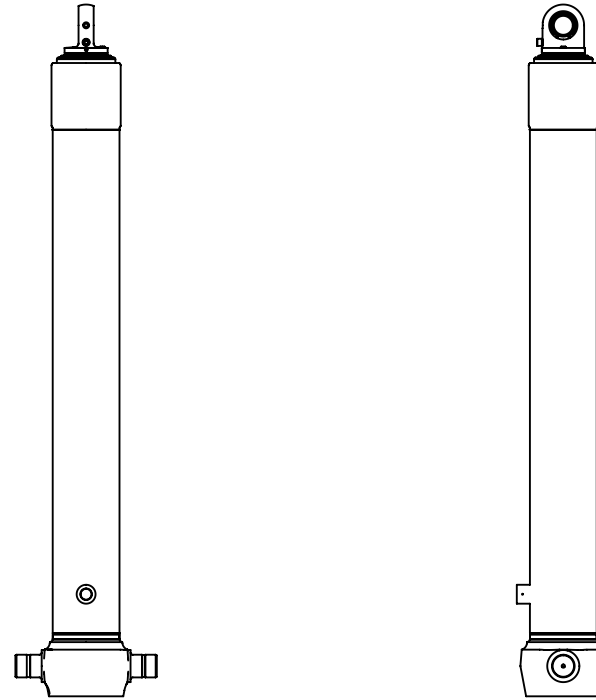
For guidance only;

Higher working pressures and tipping capacities may be possible.

To check your application email - applications@edbro.co.uk

NOTES

1. This cylinder is for lifting purposes only and side load conditions should be avoided
2. Cylinder is painted in primer paint to RAL5013
3. Refer to www.edbro.com for:-
 - Bracket details
 - Installation instructions that must be observed
 - Correct oil selection
 - An explanation of tipping capacity



CS150S45806B19A01