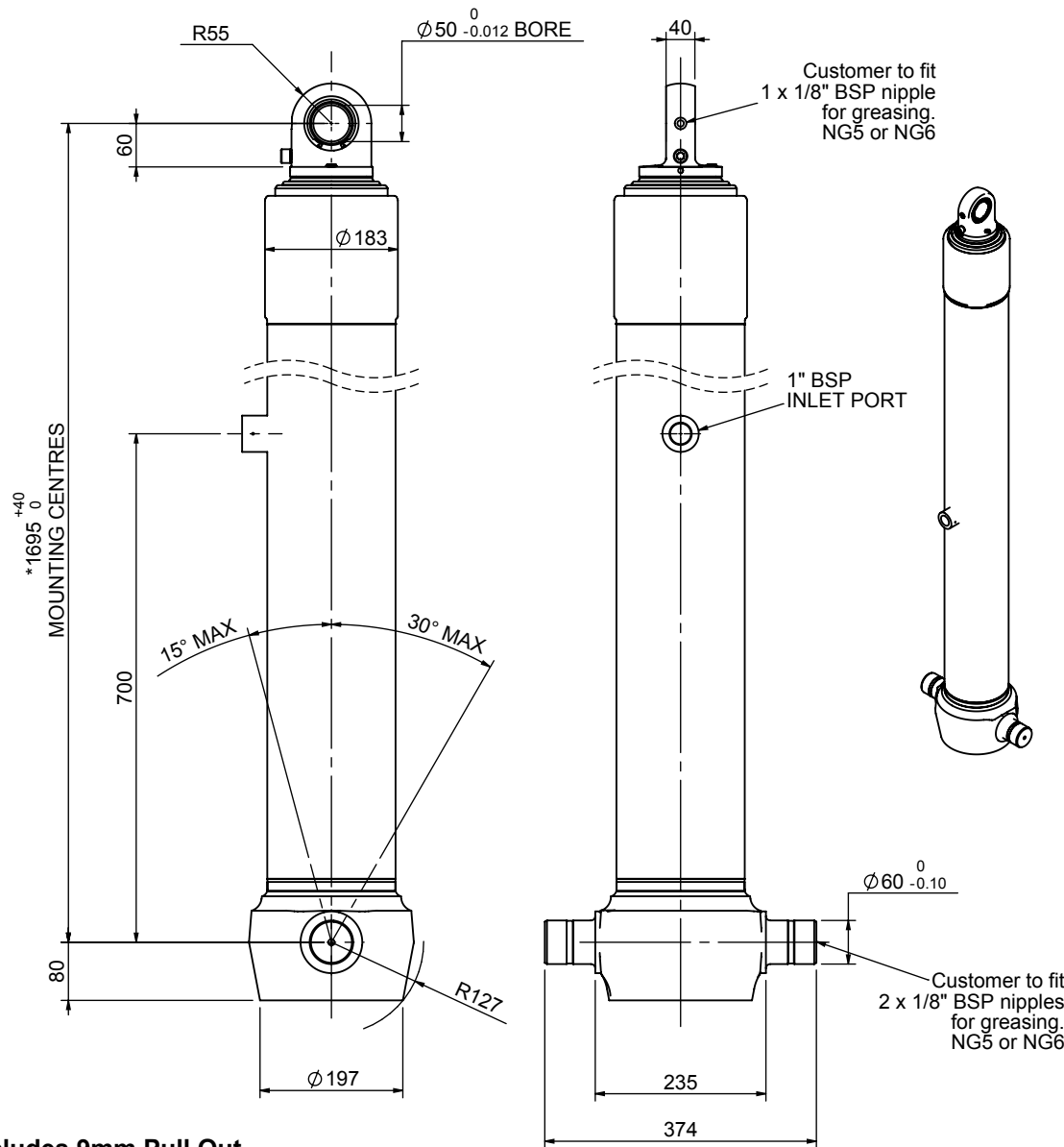


# Cylinder 4 stage front end with spherical eye

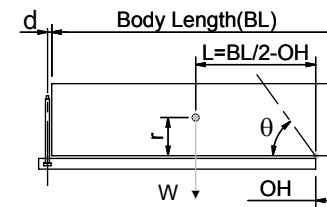
CS150S45806B70A01



## SPECIFICATION TIPPING CAPACITY : 24-32 TONNES\*\*\*

Stage	Diameter	Length	Stroke	Swept Volume
-	-	-	-	-
-	-	-	-	-
0	177	1675	-	-
1	155	1640	1427	27
2	136	1640	1447	21
3	117	1640	1462	16
4	98	1640	1467	11
Total (+5/-10)			5803	75
Final stroke reduced by	0	Priming Volume		19
Cylinder Mass (Kg)	188	Total Volume (Litres)		94
Maximum Pressure (Bar)	190	Max. first stage thrust		225 KN

### \*\*\*TIPPING CAPACITY AT WORKING PRESSURE



BODY LENGTH (BL)						OH
7250		7750		8250		
26	49°	25	46°	24	43°	150
29	52°	27	48°	26	44°	450
32	55°	30	50°	28	46°	750

$d = 0$ ;  $r = 750$ ; Working Pressure 120 bar

#### For guidance only;

Higher working pressures and tipping capacities may be possible.

To check your application email - [applications@edbro.co.uk](mailto:applications@edbro.co.uk)

#### NOTES

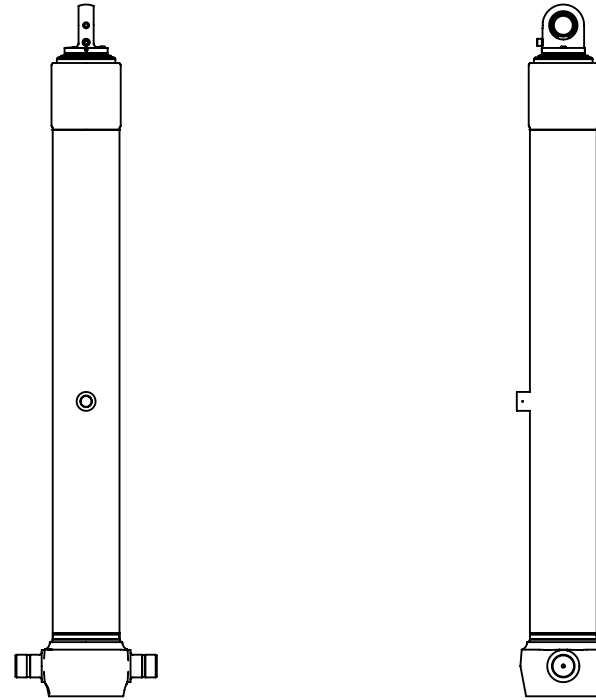
1. This cylinder is for lifting purposes only and side load conditions should be avoided
2. Cylinder is painted in primer paint to RAL5013
3. Refer to [www.edbro.com](http://www.edbro.com) for:-
  - Bracket details
  - Installation instructions that must be observed
  - Correct oil selection
  - An explanation of tipping capacity

\*Includes 9mm Pull Out.  
Last Stage Chrome Plated

**Edbro**  
SETTING THE INDUSTRY STANDARD

**Edbro plc**  
Nelson Street, Bolton, England, BL3 2JJ  
Tel +44 (0) 1204 528888 Fax +44 (0) 1204 531957  
Email: [postmaster@edbro.com](mailto:postmaster@edbro.com) Web: [www.edbro.com](http://www.edbro.com)

Technical Specifications are subject to change without notice  
Date Created/Updated: 04 September 2012  
Refer [www.edbro.com](http://www.edbro.com) to confirm latest specification  
All dimensions are in 'mm', unless otherwise stated



CS150S45806B70A01