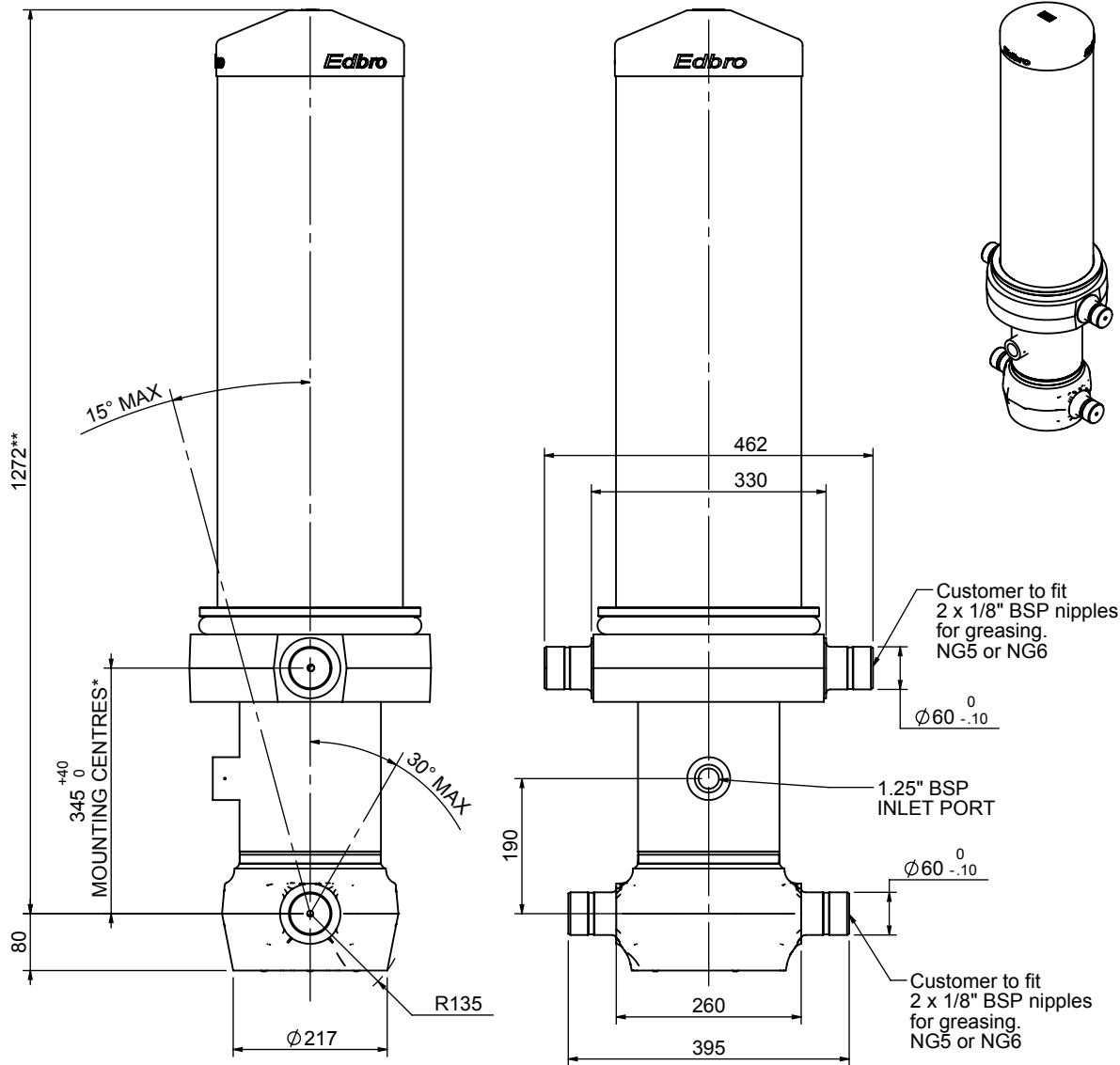


# Cylinder 4 stage front end with Outer Cover

**\*\*ALLOW 50mm TO REMOVE CAP FOR SERVICING**



**\*Includes 12mm Pull Out. All Stages Chrome Plated**

# CS170043810B19D11C

SPECIFICATION		RATED CAPACITY : 37-68 TONNES***		
Stage	Diameter	Length	Stroke	Swept Volume
OUTER COVER	261	890	-	-
0	199	1225	-	-
1	176	1190	964	23
2	155	1190	987	19
3	136	1190	997	14
4	117	1190	862	9
Total (+5/-10)			3810	65
Final stroke reduced by	150	Priming Volume	17	
Cylinder Mass (Kg)	243	Total Volume (Litres)	82	
Maximum Pressure (Bar)	190	Max. first stage thrust	260 KN	

## \*\*\*TIPPING CAPACITY AT RATED PRESSURE

BODY LENGTH (BL)		BODY LENGTH (BL)					OH
		5000	5250	5500			
42	44°	39	42°	37	40°	150	
51	57°	46	45°	43	43°	450	
68	51°	59	48°	53	45°	750	

$d = 229$  ;  $r = 900$  ; Working Pressure 110 bar  
 Tipping angle ( $\theta$ )  
 Body + payload mass, W (tonne)

**For guidance only;**  
 Higher Rated Pressures may be possible. To check your application, email Edbro plc at <applications@edbro.co.uk>

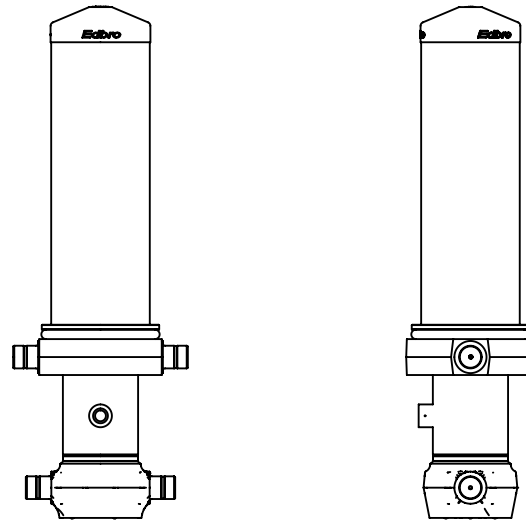
## NOTES

1. This cylinder is for lifting purposes only and side load conditions should be avoided
2. Cylinder is painted in primer paint to RAL5013
3. Refer to [www.edbro.com](http://www.edbro.com) for;-
  - Bracket details
  - Installation instructions that must be observed
  - Correct oil selection
  - An explanation of tipping capacity



**Edbro plc**  
 Nelson Street, Bolton, Lancashire BL3 2JJ UK  
 Tel +44 (0) 1204 528888 Fax +44 (0) 1204 531957  
 Email: postmaster@edbro.com Web: www.edbro.com

Technical Specifications are subject to change without notice  
 Date Created/Updated: 16 April 2013 13:52:39  
 Refer [www.edbro.com](http://www.edbro.com) to confirm latest specification  
 All dimensions are in 'mm', unless otherwise stated



CS170043810B19D11