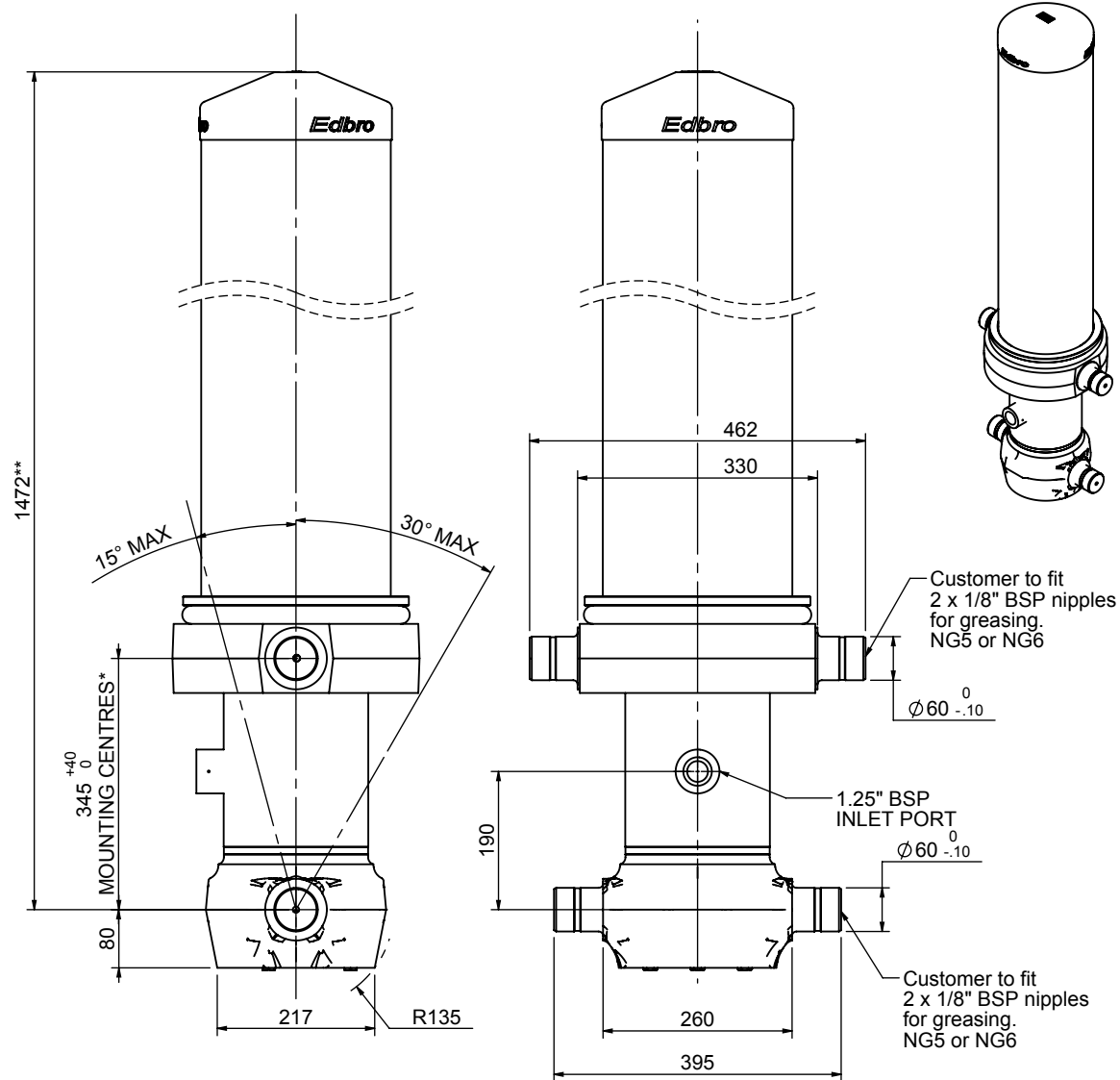


Cylinder 4 stage front end with Outer Cover

****ALLOW 50mm TO REMOVE CAP FOR SERVICING**

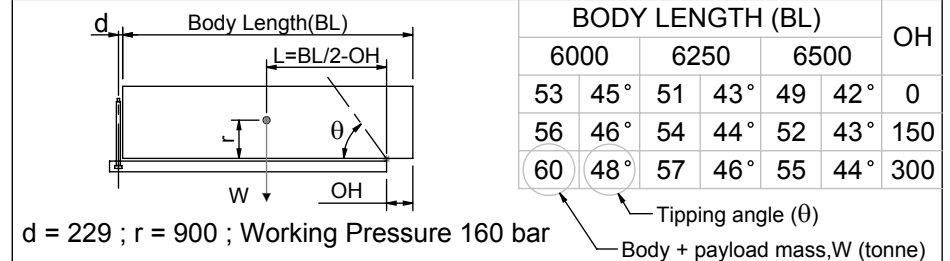


*Includes 12mm Pull Out.

CS170044766B19A11

SPECIFICATION		RATED CAPACITY : 49-60 TONNES***		
Stage	Diameter	Length	Stroke	Swept Volume
OUTER COVER	261	1090	-	-
0	199	1425	-	-
1	176	1390	1164	28
2	155	1390	1187	22
3	136	1390	1197	17
4	117	1390	1212	13
Total (+5/-10)			4760	80
Final stroke reduced by	0	Priming Volume	20	
Cylinder Mass (Kg)	268	Total Volume (Litres)	100	
Maximum Pressure (Bar)	190	Max. first stage thrust	260 KN	

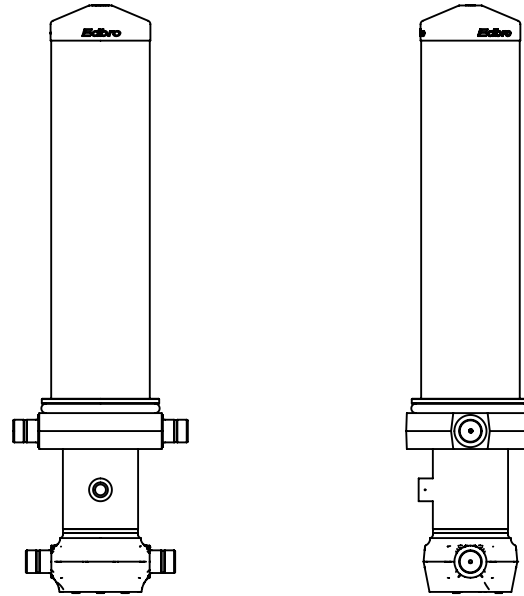
***TIPPING CAPACITY AT RATED PRESSURE



For guidance only;
Higher Rated Pressures may be possible. To check your application, email Edbro plc at <applications@edbro.co.uk>

NOTES

1. This cylinder is for lifting purposes only and side load conditions should be avoided
2. Cylinder is painted in primer paint to RAL5013
3. Refer to www.edbro.com for;-
 - Bracket details
 - Installation instructions that must be observed
 - Correct oil selection
 - An explanation of tipping capacity



CS170044766B19A11