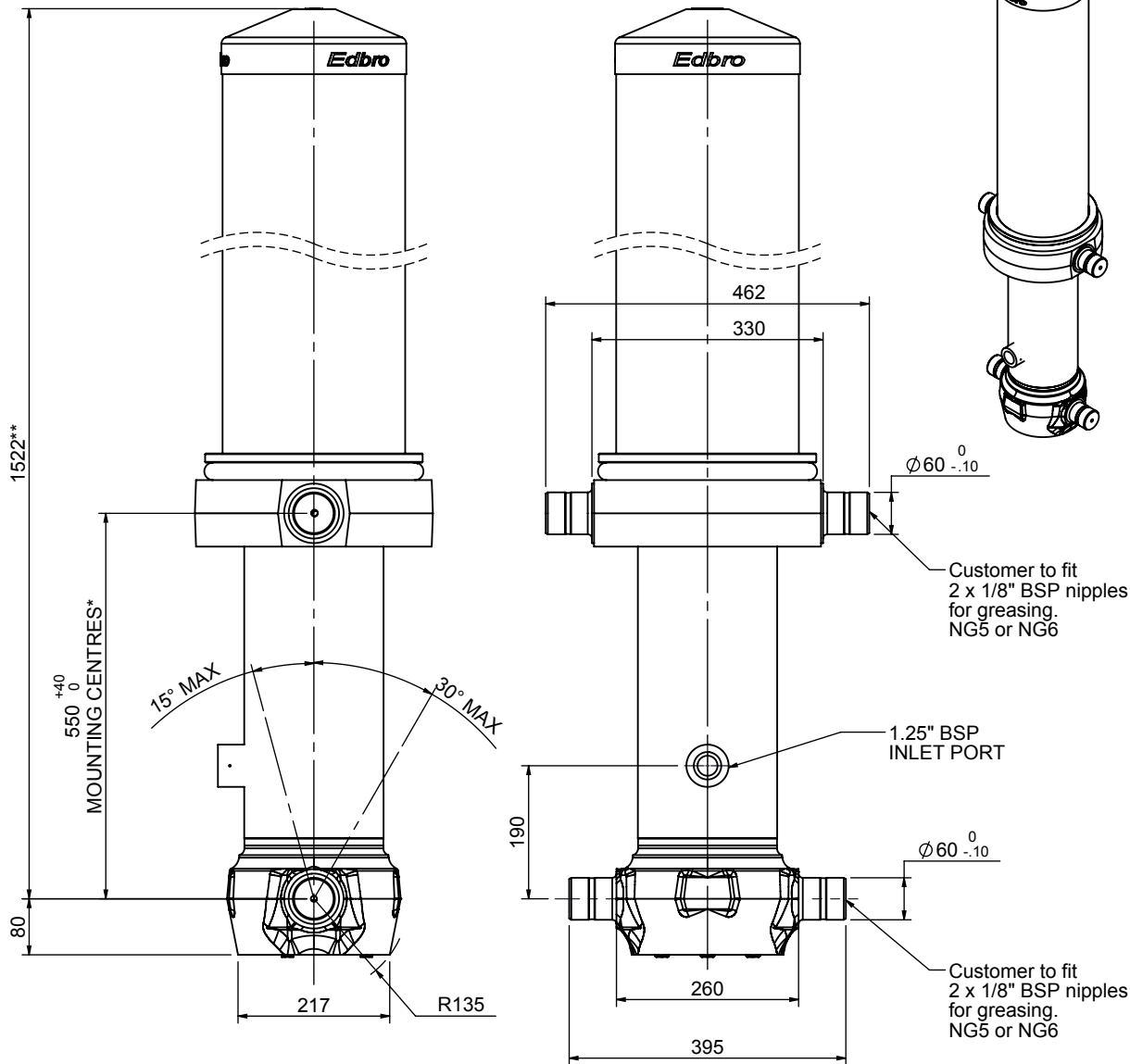


Cylinder 4 stage front end with Outer Cover

****ALLOW 50mm TO REMOVE CAP FOR SERVICING**



***Includes 12mm Pull Out.**

CS170044966B19A12

SPECIFICATION		RATED CAPACITY : 49-59 TONNES***		
Stage	Diameter	Length	Stroke	Swept Volume
OUTER COVER	261	935	-	-
0	199	1475	-	-
1	176	1440	1214	30
2	155	1440	1237	23
3	136	1440	1247	18
4	117	1440	1262	14
Total (+5/-10)			4960	85
Final stroke reduced by	0	Priming Volume	21	
Cylinder Mass (Kg)	269	Total Volume (Litres)	106	
Maximum Pressure (Bar)	190	Max. first stage thrust	260 KN	

***TIPPING CAPACITY AT RATED PRESSURE

d	BODY LENGTH (BL)						OH
	6250		6500		6750		
52	45°	50	44°	49	42°	150	
55	47°	53	45°	51	43°	450	
59	48°	56	46°	54	44°	750	

$d = 229$; $r = 900$; Working Pressure 160 bar
 Tipping angle (θ)
 Body + payload mass, W (tonne)

For guidance only;

Higher Rated Pressures may be possible. To check your application, email Edbro plc at <applications@edbro.co.uk>

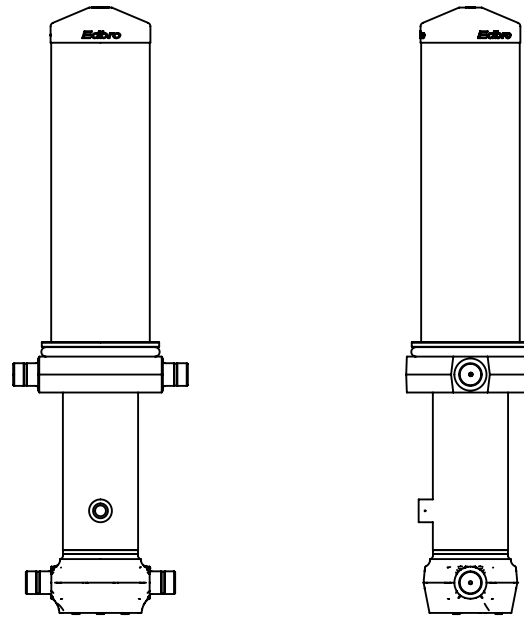
NOTES

1. This cylinder is for lifting purposes only and side load conditions should be avoided
2. Cylinder is painted in primer paint to RAL5013
3. Refer to www.edbro.com for;-
 - Bracket details
 - Installation instructions that must be observed
 - Correct oil selection
 - An explanation of tipping capacity



Edbro plc
 Nelson Street, Bolton, Lancashire BL3 2JJ UK
 Tel +44 (0) 1204 528888 Fax +44 (0) 1204 531957
 Email: postmaster@edbro.com Web: www.edbro.com

Technical Specifications are subject to change without notice
 Date Created/Updated: 14 November 2013 09:13:39
 Refer www.edbro.com to confirm latest specification
 All dimensions are in 'mm', unless otherwise stated



CS170044966B19A12