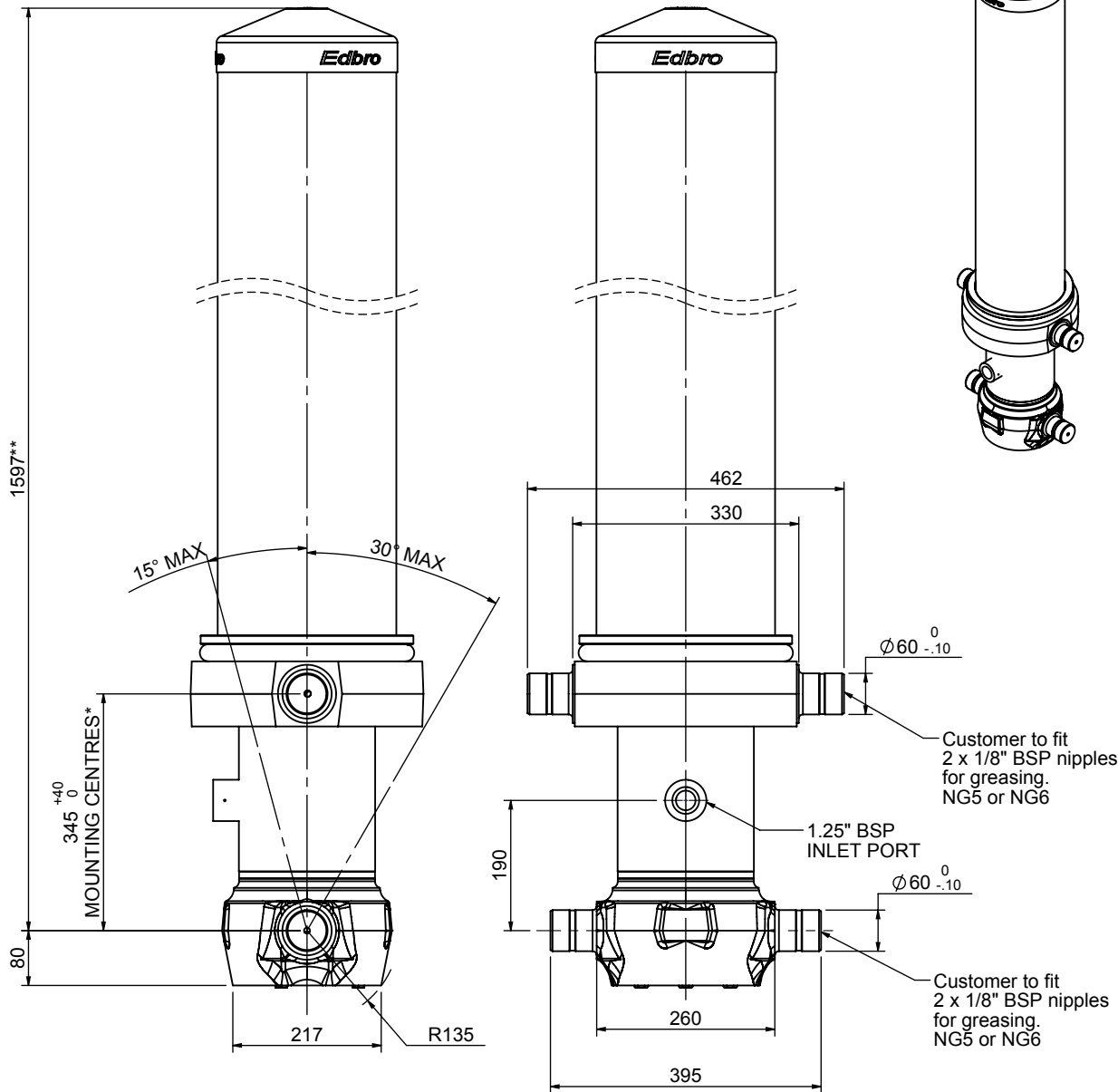


Cylinder 4 stage front end with Outer Cover

****ALLOW 50mm TO REMOVE CAP FOR SERVICING**

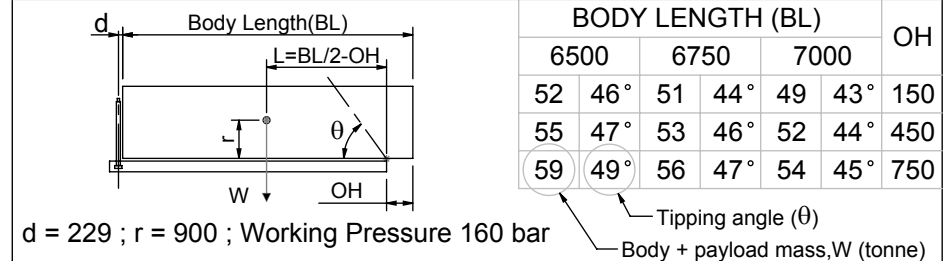


***Includes 12mm Pull Out.**

CS170045266B19A11

SPECIFICATION		RATED CAPACITY : 49-59 TONNES***		
Stage	Diameter	Length	Stroke	Swept Volume
OUTER COVER	261	1215	-	-
0	199	1550	-	-
1	176	1515	1289	31
2	155	1515	1312	25
3	136	1515	1322	19
4	117	1515	1337	14
Total (+5/-10)			5260	89
Final stroke reduced by	0	Priming Volume		22
Cylinder Mass (Kg)	285	Total Volume (Litres)		111
Maximum Pressure (Bar)	190	Max. first stage thrust		260 KN

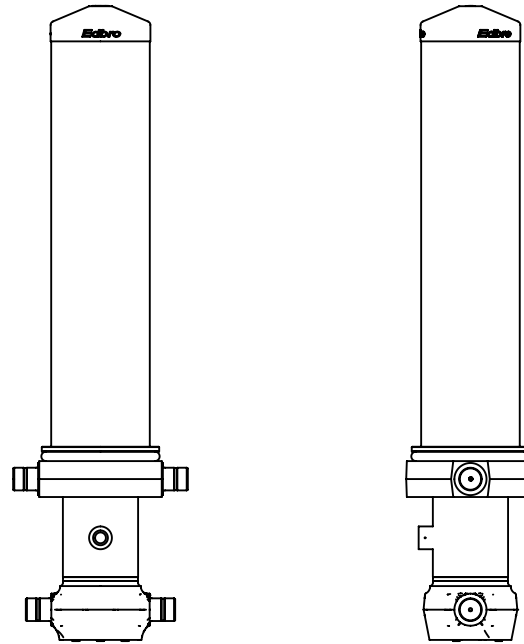
***TIPPING CAPACITY AT RATED PRESSURE



For guidance only;
 Higher Rated Pressures may be possible. To check your application, email Edbro plc at <applications@edbro.co.uk>

NOTES

1. This cylinder is for lifting purposes only and side load conditions should be avoided
2. Cylinder is painted in primer paint to RAL5013
3. Refer to www.edbro.com for;-
 - Bracket details
 - Installation instructions that must be observed
 - Correct oil selection
 - An explanation of tipping capacity



CS170045266B19A11