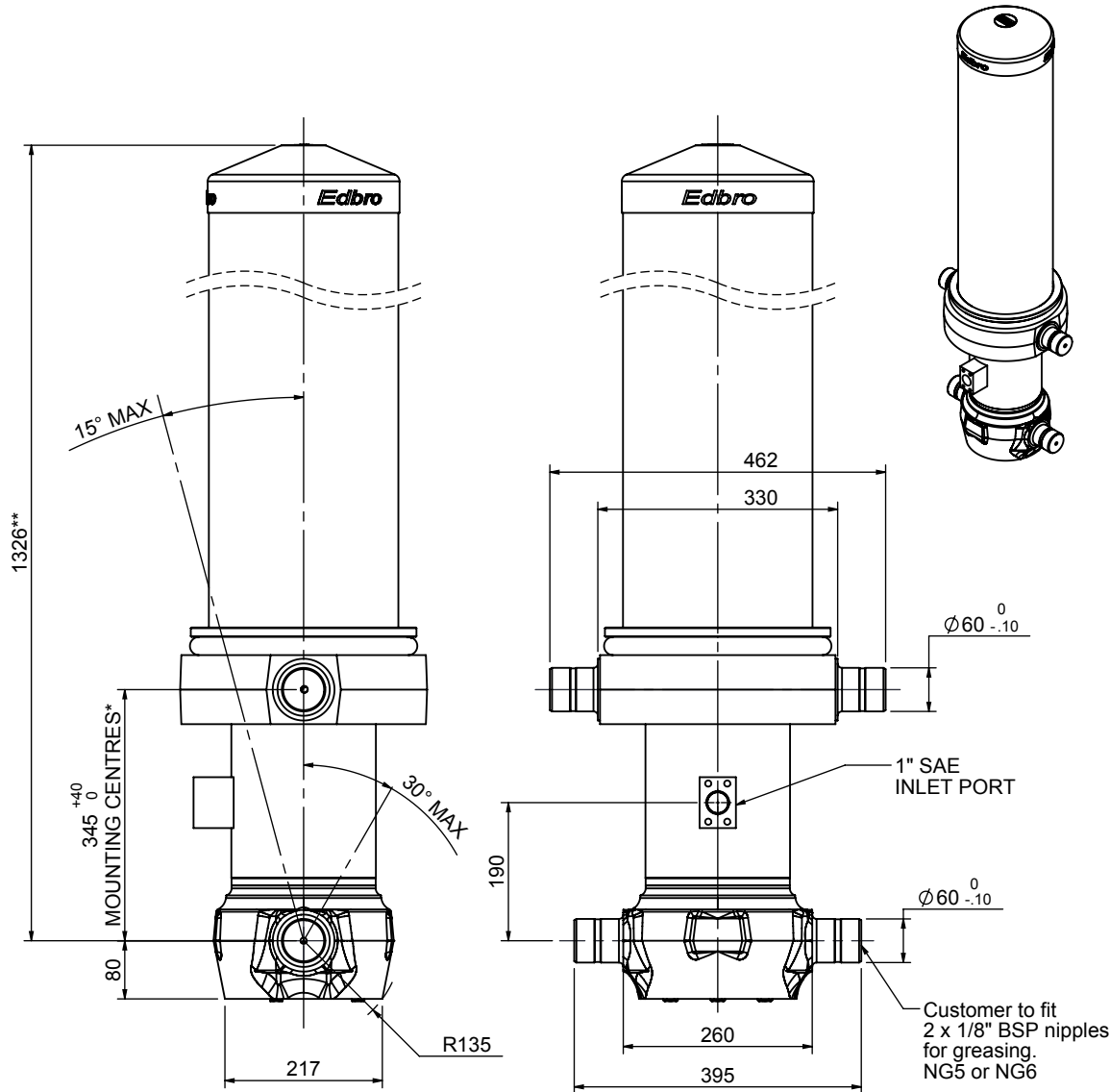


# Cylinder 5 stage front end with outer cover

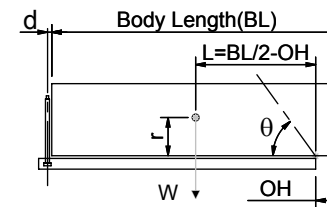
**\*\*ALLOW 50mm TO REMOVE CAP FOR SERVICING**



## CS170055233S19A11

SPECIFICATION		TIPPING CAPACITY : 39-61 TONNES***		
Stage	Diameter	Length	Stroke	Swept Volume
OUTER COVER	261	945	-	-
0	199	1275	-	-
1	176	1240	1014	25
2	155	1240	1037	20
3	136	1240	1047	15
4	117	1240	1062	11
5	98	1240	1067	8
Total (+5/-10)			5227	79
Final stroke reduced by	0	Priming Volume	16	
Cylinder Mass (Kg)	261	Total Volume (Litres)	95	
Maximum Pressure (Bar)	175	Max. first stage thrust	265 KN	

### \*\*\*TIPPING CAPACITY AT WORKING PRESSURE



BODY LENGTH (BL)						OH
6500		7000		7500		
44	47°	41	44°	39	41°	150
51	50°	46	46°	42	42°	450
61	52°	52	48°	47	44°	750

$d = 229$ ;  $r = 900$ ; Working Pressure 175 bar

Tipping angle ( $\theta$ )

Body + payload mass,  $W$  (tonne)

### For guidance only;

Higher working pressures and tipping capacities may be possible.

To check your application email - [applications@edbro.co.uk](mailto:applications@edbro.co.uk)

### NOTES

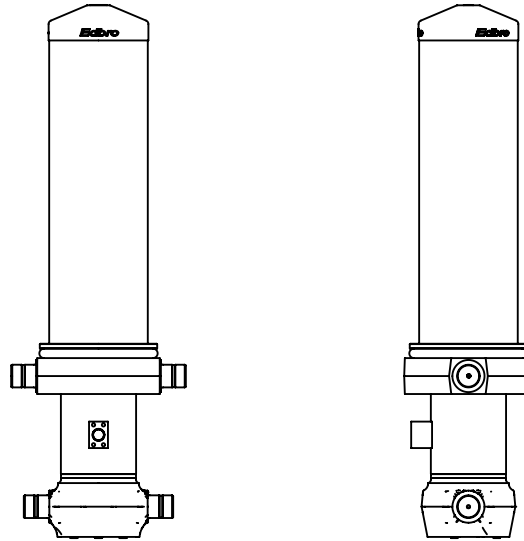
1. This cylinder is for lifting purposes only and side load conditions should be avoided
2. Cylinder is painted in primer paint to RAL5013
3. Refer to [www.edbro.com](http://www.edbro.com) for:-
  - Bracket details
  - Installation instructions that must be observed
  - Correct oil selection
  - An explanation of tipping capacity

\*Includes 12mm Pull Out.

**Edbro**  
SETTING THE INDUSTRY STANDARD

**Edbro plc**  
Nelson Street, Bolton, England, BL3 2JJ  
Tel +44 (0) 1204 528888 Fax +44 (0) 1204 531957  
Email: [postmaster@edbro.com](mailto:postmaster@edbro.com) Web: [www.edbro.com](http://www.edbro.com)

Technical Specifications are subject to change without notice  
Date Created/Updated: 13 August 2013  
Refer [www.edbro.com](http://www.edbro.com) to confirm latest specification  
All dimensions are in 'mm', unless otherwise stated



CS170055233S19A11