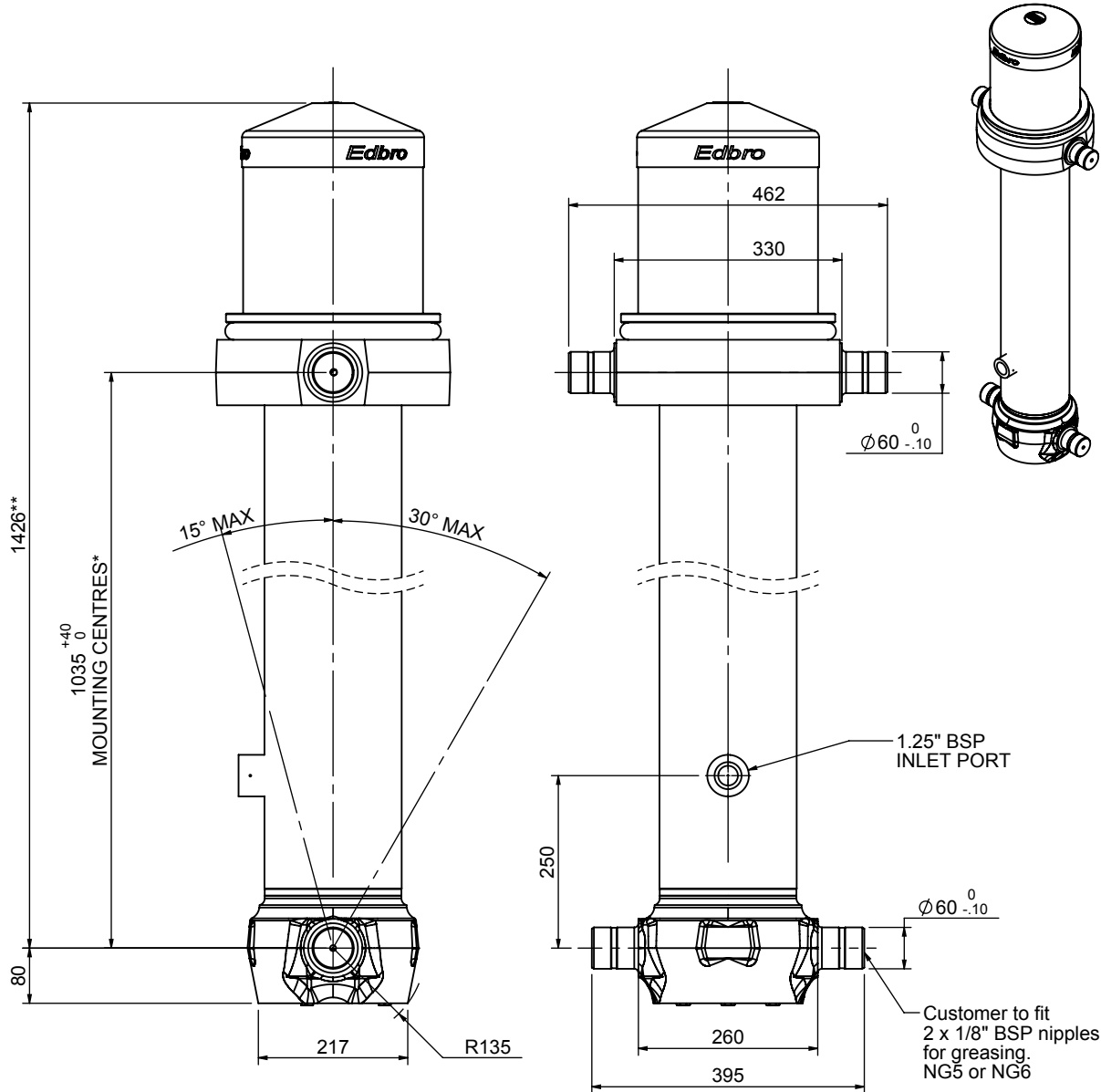


Cylinder 5 stage front end with outer cover

****ALLOW 50mm TO REMOVE CAP FOR SERVICING**



*Includes 12mm Pull Out.

CS170055433B25G15

SPECIFICATION		TIPPING CAPACITY : 39-62 TONNES***		
Stage	Diameter	Length	Stroke	Swept Volume
OUTER COVER	261	355	-	-
0	199	1375	-	-
1	176	1340	1114	27
2	155	1340	1137	21
3	136	1340	1147	17
4	117	1340	1162	12
5	98	1340	867	7
Total (+5/-10)			5427	84
Final stroke reduced by	300	Priming Volume		18
Cylinder Mass (Kg)	255	Total Volume (Litres)		102
Maximum Pressure (Bar)	175	Max. first stage thrust		265 KN

*****TIPPING CAPACITY AT WORKING PRESSURE**

d	BODY LENGTH (BL)						OH
	6750	7250	7750				
46	48°	42	44°	39	41°	150	
52	50°	47	46°	43	43°	450	
62	53°	53	48°	48	45°	750	

$d = 229; r = 900; \text{Working Pressure } 175 \text{ bar}$

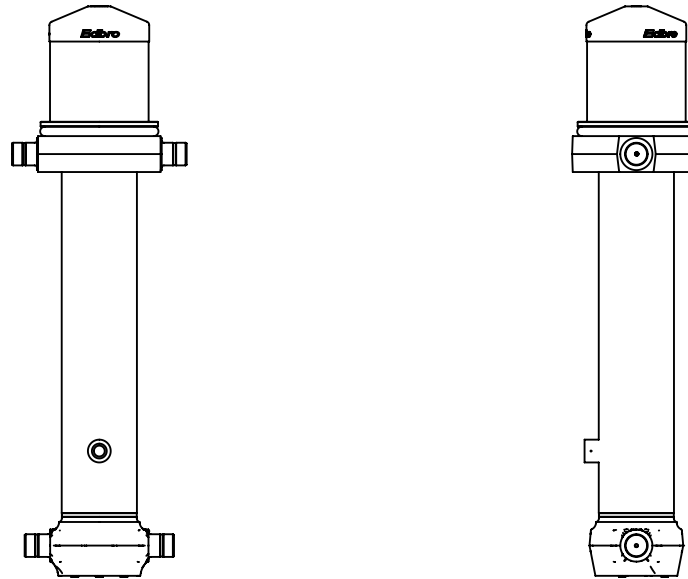
For guidance only;
Higher working pressures and tipping capacities may be possible.
To check your application email - applications@edbro.co.uk

- NOTES**
- This cylinder is for lifting purposes only and side load conditions should be avoided
 - Cylinder is painted in primer paint to RAL5013
 - Refer to www.edbro.com for:-
 - Bracket details
 - Installation instructions that must be observed
 - Correct oil selection
 - An explanation of tipping capacity



Edbro plc
Nelson Street, Bolton, England, BL3 2JJ
Tel +44 (0) 1204 528888 Fax +44 (0) 1204 531957
Email: postmaster@edbro.com Web: www.edbro.com

Technical Specifications are subject to change without notice
Date Created/Updated: 12 August 2014
Refer www.edbro.com to confirm latest specification
All dimensions are in 'mm', unless otherwise stated



CS170055433B25G15