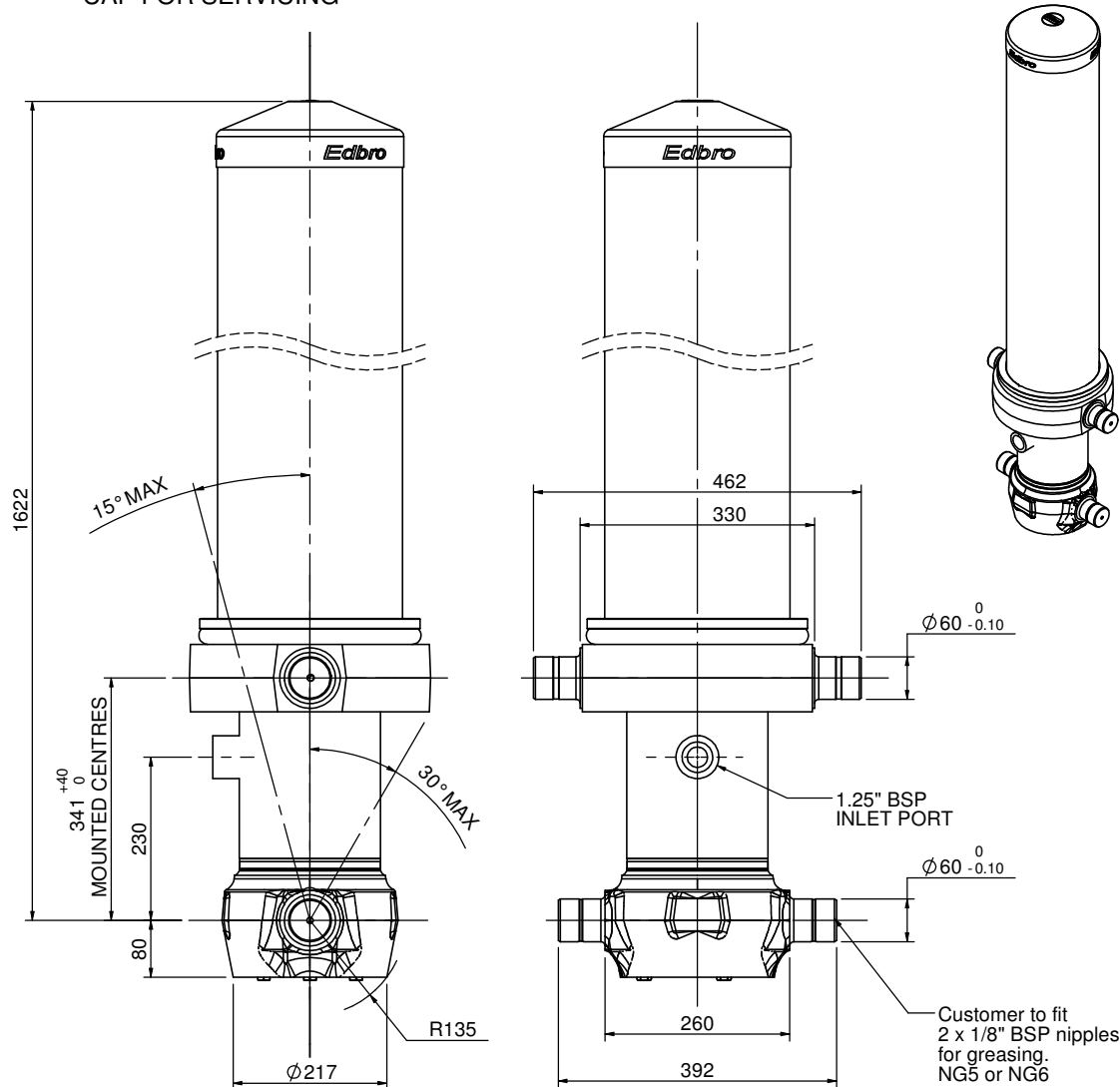


# Cylinder 5 stage front end with Outer Cover

NOTE: ALLOW 50mm TO REMOVE CAP FOR SERVICING

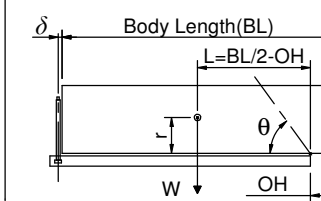


## CS170056733B23A11

SPECIFICATION		RATED CAPACITY : 37-51 TONNES*		
Stage	Diameter	Length	Stroke	Swept Volume
OUTER COVER	260.35	1245		
0	198.12	1575		
1	176.00	1540	1320	32.1
2	154.85	1540	1337	25.2
3	135.75	1540	1347	19.5
4	116.65	1540	1362	14.6
5	97.8	1540	1367	10.3
Final stroke reduced by	0	Total	6733	101.7
Cylinder Mass (Kg)	306	Priming Volume		12.0
Working Pressure (Bar)	175	Total Volume (Litres)		113.7
Maximum Pressure (Bar)	175	Max. first stage thrust		260 KN

### \*TIPPING CAPACITY AT WORKING PRESSURE

$\delta = 229$  ;  $r = 900$



BODY LENGTH (BL)						OH
8250		8750		9250		
41	48°	39	45°	37	42°	150
45	50°	42	47°	40	44°	450
51	52°	46	49°	43	46°	750

### For guidance only;

Higher working pressures may be possible. To check your application, email Edbro plc at <applications@edbro.co.uk>

### NOTES

- If hydraulic pressure is used to limit overloading, the system relief valve must be set to the Working Pressure unless agreed by Edbro.
- The system relief valve can be set to Maximum Pressure if the load is limited by other means.
- This cylinder is for lifting purposes only and sload conditions must be avoided.
- Cylinder is painted in primer paint to RAL5010.
- See bracket options page 17BRKT01.
- See installation instructions INSTALL01.
- Use oil according to specification OIL01.

This drawing is available on request in PDF (2D), DXF (2D) or Parasolid (3D) via applications@edbro.co.uk

**Edbro**  
SETTING THE INDUSTRY STANDARD

**Edbro plc**  
Nelson Street, Bolton, Lancashire BL3 2JJ UK  
Tel +44 (0) 1204 528888 Fax +44 (0) 1204 531957  
Email: postmaster@edbro.com Web: www.edbro.com

Technical Specifications are subject to change without notice  
Date Created/Updated: 09 April 2009 07:51:35  
Refer www.edbro.com to confirm latest specification  
All dimensions are in 'mm', unless otherwise stated