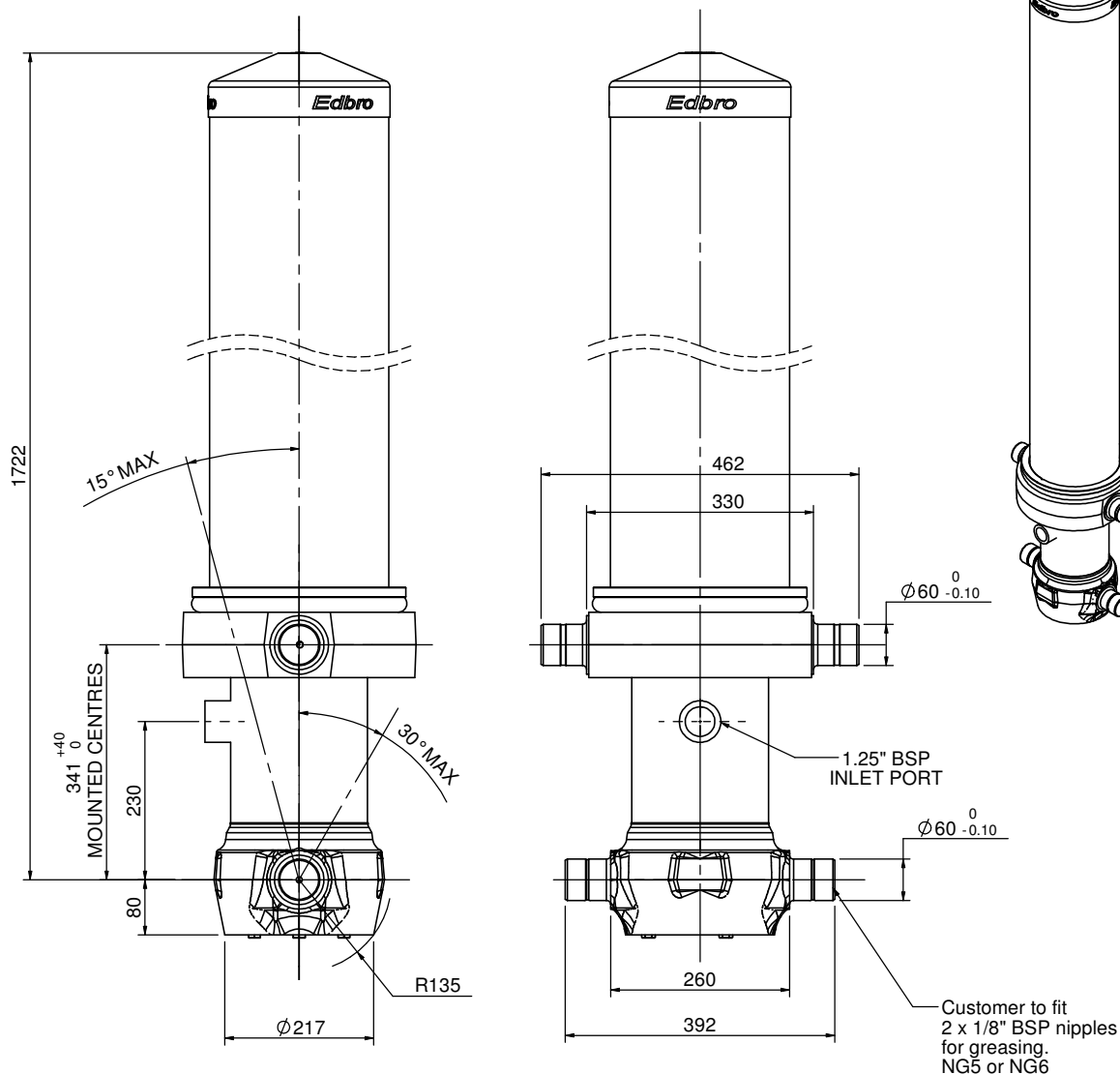


Cylinder 5 stage front end with outer cover

NOTE: ALLOW 50mm TO REMOVE CAP FOR SERVICING

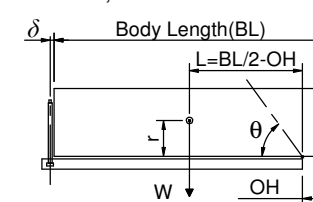


CS170056733B23L11C

SPECIFICATION		RATED CAPACITY : 39-55 TONNES*		
Stage	Diameter	Length	Stroke	Swept Volume
OUTER COVER	260.35	1345		
0	198.12	1675		
1	176.00	1640	1420	34.5
2	154.85	1640	1437	27.1
3	135.75	1640	1447	20.9
4	116.65	1640	1462	15.6
5	97.8	1640	967	7.3
Final stroke reduced by	500	Total	6733	105.4
Cylinder Mass (Kg)	330	Priming Volume	12.0	
Working Pressure (Bar)	175	Total Volume (Litres)	117.4	
Maximum Pressure (Bar)	175	Max. first stage thrust	260 KN	

*TIPPING CAPACITY AT WORKING PRESSURE

$\delta = 229$; $r = 900$



BODY LENGTH (BL)						OH
8250		8750		9250		
44	48°	41	45°	39	42°	150
49	50°	45	47°	42	44°	450
55	52°	49	49°	46	46°	750

For guidance only;

Higher working pressures may be possible. To check your application, email Edbro plc at <applications@edbro.co.uk>

NOTES

- If hydraulic pressure is used to limit overloading, the system relief valve must be set to the Working Pressure unless agreed by Edbro.
- The system relief valve can be set to Maximum Pressure if the load is limited by other means.
- This cylinder is for lifting purposes only and sload conditions must be avoided.
- Cylinder is painted in primer paint to RAL5010.
- See bracket options page 17BRKT01.
- See installation instructions INSTALL01.
- Use oil according to specification OIL01.

This drawing is available on request in PDF (2D), DXF (2D) or Parasolid (3D) via applications@edbro.co.uk

Edbro
SETTING THE INDUSTRY STANDARD

Edbro plc
Nelson Street, Bolton, Lancashire BL3 2JJ UK
Tel +44 (0) 1204 528888 Fax +44 (0) 1204 531957
Email: postmaster@edbro.com Web: www.edbro.com

Technical Specifications are subject to change without notice
Date Created/Updated: 09 April 2009 11:33:37
Refer www.edbro.com to confirm latest specification
All dimensions are in 'mm', unless otherwise stated