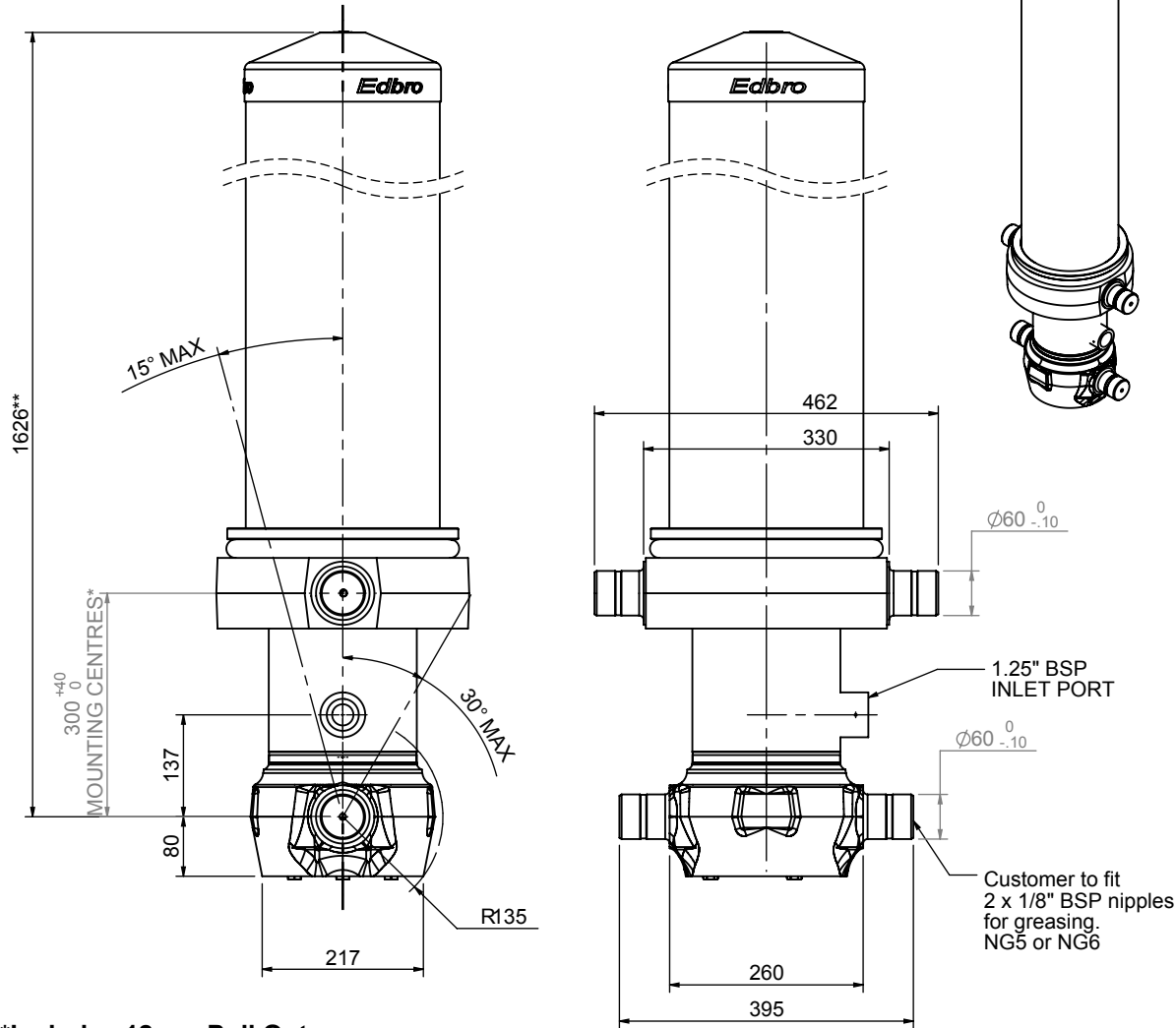


# Cylinder 5 stage front end with Outer Cover

**\*\*ALLOW 50mm TO REMOVE CAP FOR SERVICING**



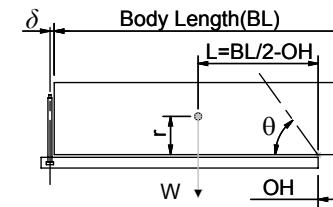
**\*Includes 12mm Pull Out**

# CS170056733N14A10

SPECIFICATION		RATED CAPACITY : 37-51 TONNES***		
Stage	Diameter	Length	Stroke	Swept Volume
OUTER COVER	261	1290	-	-
0	199	1575	-	-
1	176	1540	1314	32
2	155	1540	1337	25
3	136	1540	1347	20
4	117	1540	1362	15
5	98	1540	1367	10
Final stroke reduced by	0	Total (+5/-10)	6727	102
Cylinder Mass (Kg)	313.57	Priming Volume	21	
Rated Pressure (Bar)	175	Total Volume (Litres)	123	
Maximum Pressure (Bar)	175	Max. first stage thrust	260 KN	

## \*\*\*TIPPING CAPACITY AT RATED PRESSURE

d = 229 ; r = 900



BODY LENGTH (BL)						OH
8250		8750		9250		
41	48	39	45°	37	42°	150
45	50°	42	47°	40	44°	450
51	52°	46	48°	43	46°	750

— Tipping angle ( $\theta$ )  
 — Body + payload mass, W (tonne)

## For guidance only;

Higher Rated Pressures may be possible. To check your application, email Edbro plc at <applications@edbro.co.uk>

## NOTES

- If hydraulic pressure is used to limit overloading, the system relief valve must be set to the Rated Pressure unless agreed otherwise by Edbro
- The system relief valve can be set to Maximum Pressure if the load is limited by other means. See RATINGS page for advice
- This cylinder is for lifting purposes only and sload conditions must be avoided
- Cylinder is painted in primer paint to RAL5013
- See bracket options page BRKT01, BRKT02
- See installation instructions INSTALL01
- Use oil according to specification OIL01