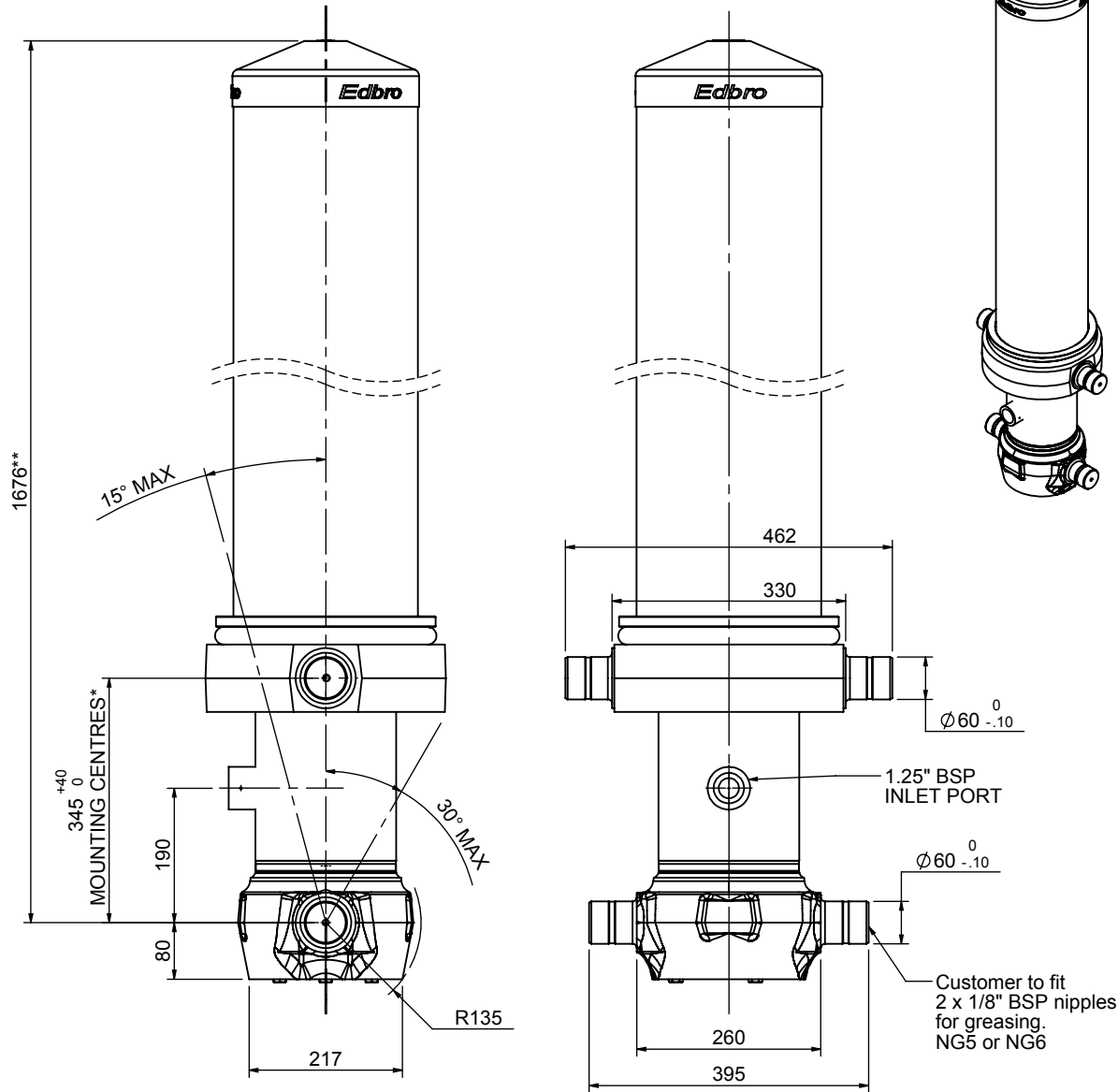


# Cylinder 5 stage front end with Outer Cover

**\*\*ALLOW 50mm TO REMOVE CAP FOR SERVICING**



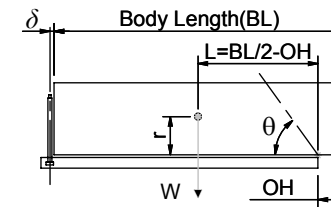
**\*Includes 12mm Pull Out**

## CS170056983B19A11

| SPECIFICATION           |          | RATED CAPACITY : 37-50 TONNES*** |        |              |
|-------------------------|----------|----------------------------------|--------|--------------|
| Stage                   | Diameter | Length                           | Stroke | Swept Volume |
| OUTER COVER             | 261      | 1295                             | -      | -            |
| 0                       | 199      | 1625                             | -      | -            |
| 1                       | 176      | 1590                             | 1364   | 33           |
| 2                       | 155      | 1590                             | 1387   | 26           |
| 3                       | 136      | 1590                             | 1397   | 20           |
| 4                       | 117      | 1590                             | 1412   | 15           |
| 5                       | 98       | 1590                             | 1417   | 11           |
| Final stroke reduced by | 0        | Total (+5/-10)                   | 6977   | 105          |
| Cylinder Mass (Kg)      | 320.21   | Priming Volume                   | 22     |              |
| Rated Pressure (Bar)    | 175      | Total Volume (Litres)            | 127    |              |
| Maximum Pressure (Bar)  | 175      | Max. first stage thrust          | 260 KN |              |

### \*\*\*TIPPING CAPACITY AT RATED PRESSURE

$d = 229 ; r = 900$



| BODY LENGTH (BL) |     |      |     |      |     | OH  |
|------------------|-----|------|-----|------|-----|-----|
| 8500             |     | 9000 |     | 9500 |     |     |
| 41               | 48° | 39   | 45° | 37   | 43° | 150 |
| 45               | 50° | 42   | 47° | 40   | 44° | 450 |
| 50               | 52° | 46   | 49° | 43   | 46° | 750 |

Tipping angle ( $\theta$ )  
 Body + payload mass, W (tonne)

### For guidance only;

Higher Rated Pressures may be possible. To check your application, email Edbro plc at <applications@edbro.co.uk>

### NOTES

- If hydraulic pressure is used to limit overloading, the system relief valve must be set to the Rated Pressure unless agreed otherwise by Edbro
- The system relief valve can be set to Maximum Pressure if the load is limited by other means. See RATINGS page for advice
- This cylinder is for lifting purposes only and sload conditions must be avoided
- Cylinder is painted in primer paint to RAL5013
- See bracket options page BRKT01, BRKT02
- See installation instructions INSTALL01
- Use oil according to specification OIL01

**Edbro**  
SETTING THE INDUSTRY STANDARD

**Edbro plc**  
Nelson Street, Bolton, Lancashire BL3 2JJ UK  
Tel +44 (0) 1204 528888 Fax +44 (0) 1204 531957  
Email: postmaster@edbro.com Web: www.edbro.com

Technical Specifications are subject to change without notice  
Date Created/Updated: 31 March 2010 14:38:12  
Refer www.edbro.com to confirm latest specification  
All dimensions are in 'mm', unless otherwise stated