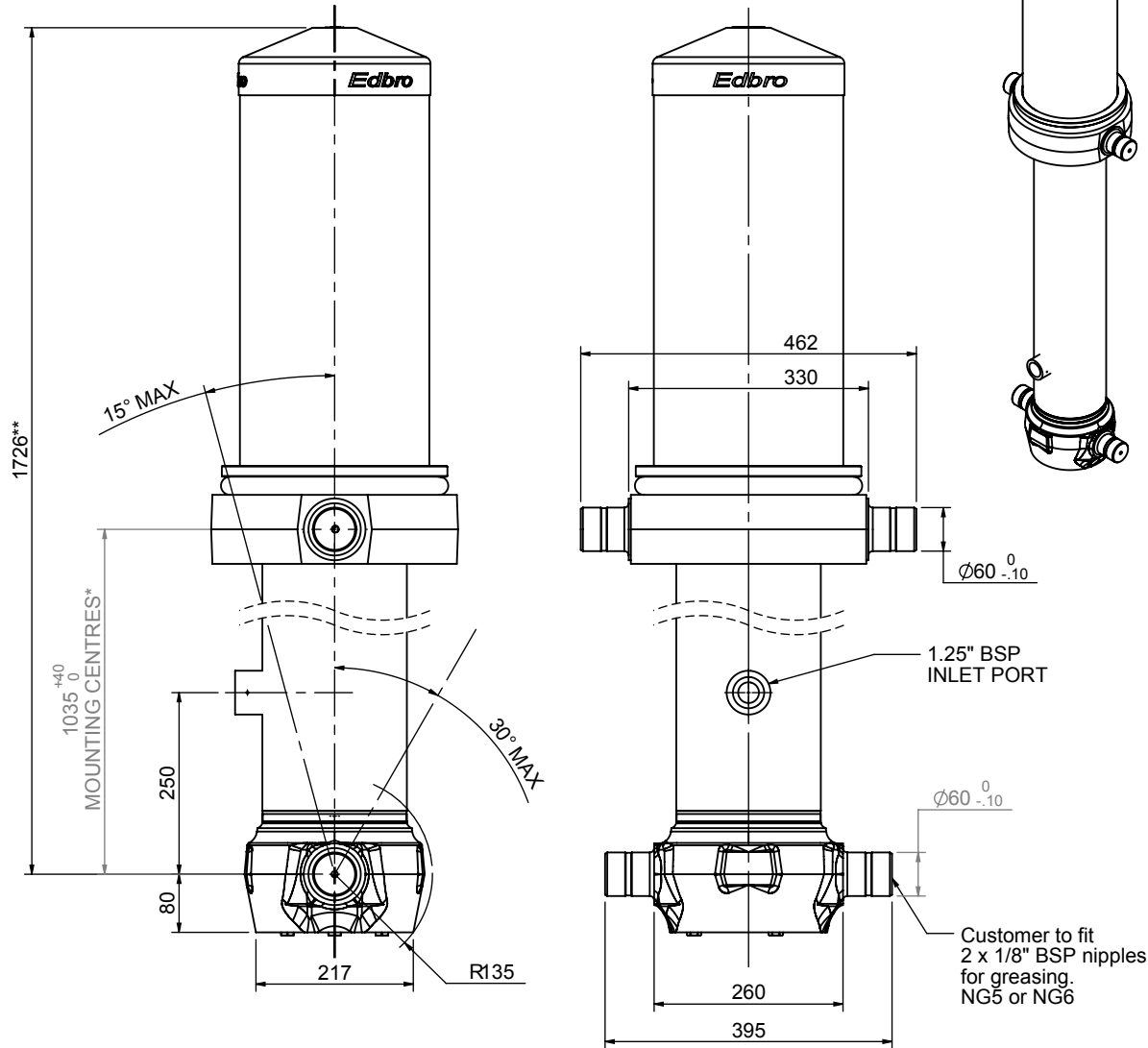


# Cylinder 5 stage front end with Outer Cover

**\*\*ALLOW 50mm TO REMOVE CAP FOR SERVICING**



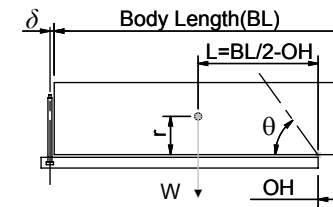
\*Includes 12mm Pull Out

# CS170057233B25A15

SPECIFICATION		RATED CAPACITY : 33-42 TONNES***		
Stage	Diameter	Length	Stroke	Swept Volume
OUTER COVER	261	655	-	-
0	199	1675	-	-
1	176	1640	1414	34
2	155	1640	1437	27
3	136	1640	1447	21
4	117	1640	1462	16
5	98	1640	1467	11
Final stroke reduced by	0	Total (+5/-10)	7227	109
Cylinder Mass (Kg)	307.16	Priming Volume	22	
Rated Pressure (Bar)	150	Total Volume (Litres)	131	
Maximum Pressure (Bar)	175	Max. first stage thrust	260 KN	

### \*\*\*TIPPING CAPACITY AT RATED PRESSURE

d = 229 ; r = 900



BODY LENGTH (BL)					OH
8750	9250	9750			
35	49°	33	46°		150
38	51°	36	48°	34	45°
42	53°	39	50°	36	47°
					750

— Tipping angle (θ)  
— Body + payload mass, W (tonne)

### For guidance only;

Higher Rated Pressures may be possible. To check your application, email Edbro plc at <applications@edbro.co.uk>

### NOTES

- If hydraulic pressure is used to limit overloading, the system relief valve must be set to the Rated Pressure unless agreed otherwise by Edbro
- The system relief valve can be set to Maximum Pressure if the load is limited by other means. See RATINGS page for advice
- This cylinder is for lifting purposes only and sload conditions must be avoided
- Cylinder is painted in primer paint to RAL5013
- See bracket options page BRKT01, BRKT02
- See installation instructions INSTALL01
- Use oil according to specification OIL01