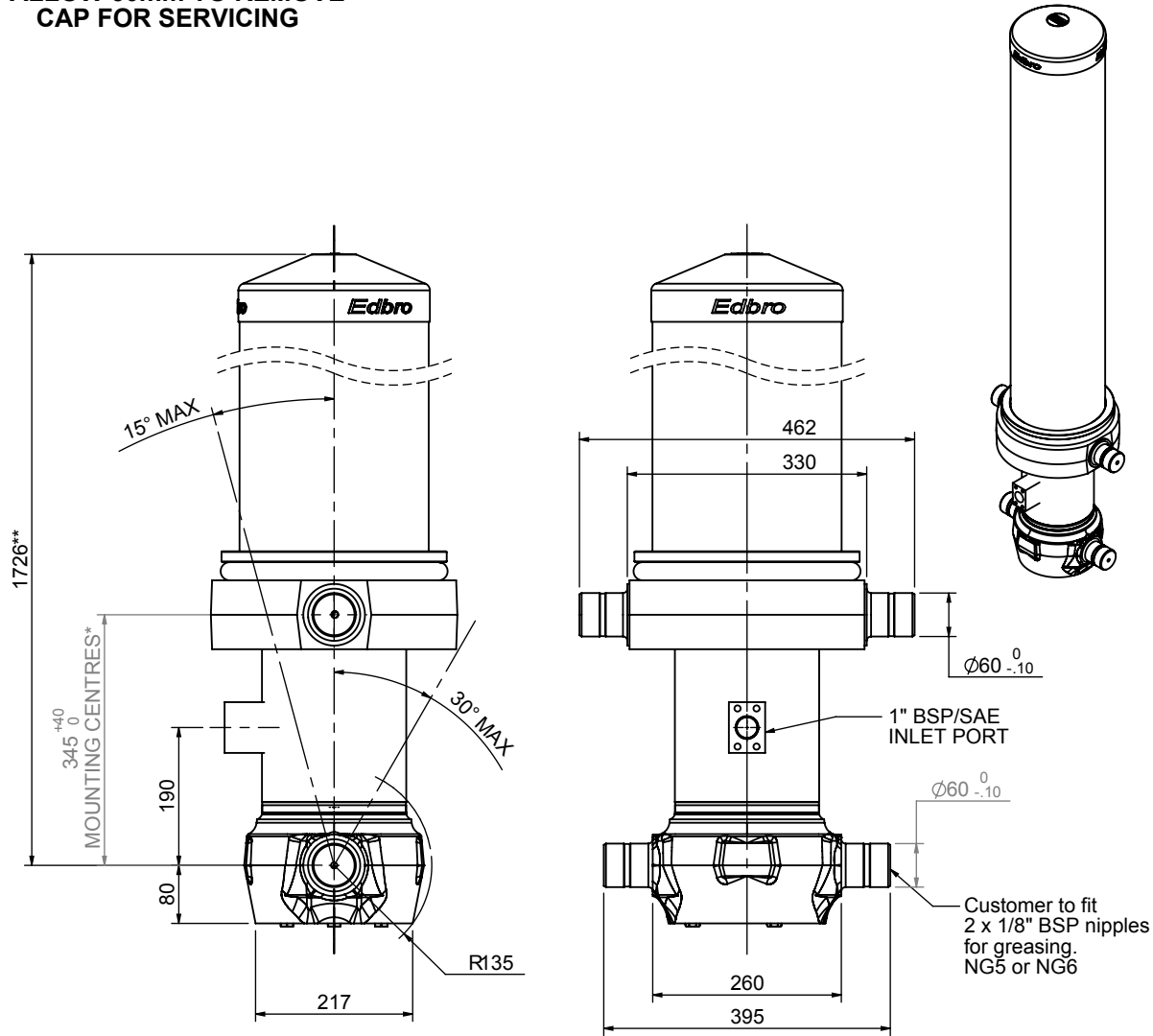


# Cylinder 5 stage front end with Outer Cover

**\*\*ALLOW 50mm TO REMOVE CAP FOR SERVICING**

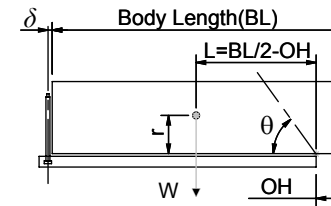


# CS170057233S19A11C

SPECIFICATION		RATED CAPACITY : 37-47 TONNES***		
Stage	Diameter	Length	Stroke	Swept Volume
OUTER COVER	261	1345	-	-
0	199	1675	-	-
1	176	1640	1414	34
2	155	1640	1437	27
3	136	1640	1447	21
4	117	1640	1462	16
5	98	1640	1467	11
Final stroke reduced by	0	Total (+5/-10)	7227	109
Cylinder Mass (Kg)	328.40	Priming Volume	22	
Rated Pressure (Bar)	175	Total Volume (Litres)	131	
Maximum Pressure (Bar)	175	Max. first stage thrust	260 KN	

## \*\*\*TIPPING CAPACITY AT RATED PRESSURE

d = 229 ; r = 900



BODY LENGTH (BL)					OH	
9000	9500	10000				
40	47°	38	45°	37	42°	150
43	49°	41	46°	39	44°	450
47	51°	44	48°	42	45°	750

— Tipping angle (θ)  
— Body + payload mass, W (tonne)

## For guidance only;

Higher Rated Pressures may be possible. To check your application, email Edbro plc at <applications@edbro.co.uk>

## NOTES

- If hydraulic pressure is used to limit overloading, the system relief valve must be set to the Rated Pressure unless agreed otherwise by Edbro
- The system relief valve can be set to Maximum Pressure if the load is limited by other means. See RATINGS page for advice
- This cylinder is for lifting purposes only and sload conditions must be avoided
- Cylinder is painted in primer paint to RAL5013
- See bracket options page BRKT01, BRKT02
- See installation instructions INSTALL01
- Use oil according to specification OIL01

**\*Includes 12mm Pull Out  
All Stages Chrome Plated**

**Edbro**  
SETTING THE INDUSTRY STANDARD

**Edbro plc**  
Nelson Street, Bolton, Lancashire BL3 2JJ UK  
Tel +44 (0) 1204 528888 Fax +44 (0) 1204 531957  
Email: postmaster@edbro.com Web: www.edbro.com

Technical Specifications are subject to change without notice  
Date Created/Updated: 25 August 2009 08:55:49  
Refer www.edbro.com to confirm latest specification  
All dimensions are in 'mm', unless otherwise stated