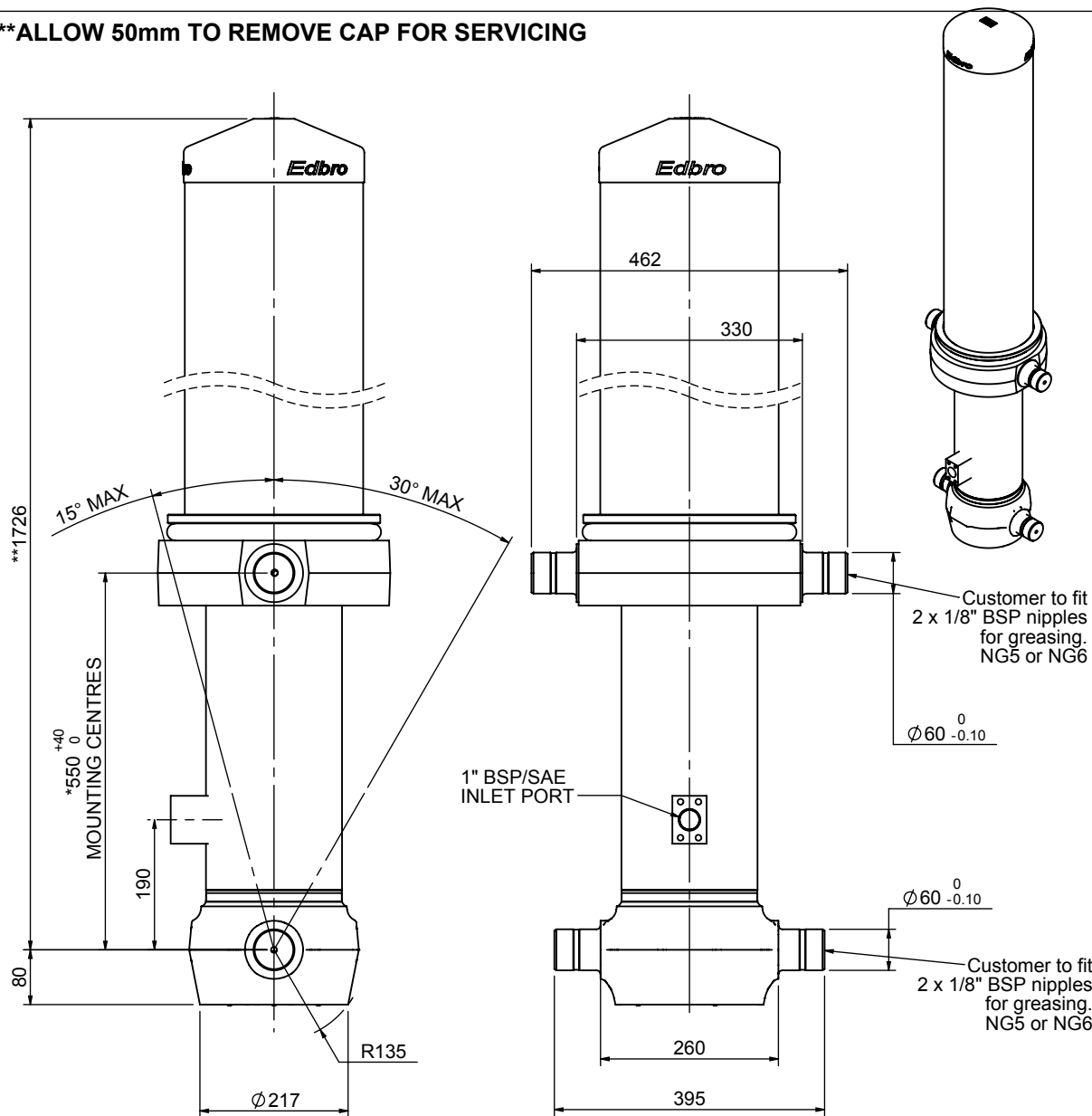


# Cylinder 5 stage front end with outer cover

**\*\*ALLOW 50mm TO REMOVE CAP FOR SERVICING**

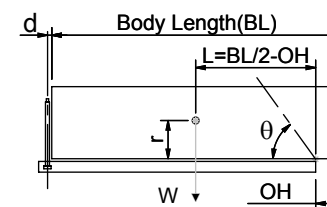


\*Includes 12mm Pull Out.

## CS170057233S19A12

SPECIFICATION		TIPPING CAPACITY : 38-52 TONNES***		
Stage	Diameter	Length	Stroke	Swept Volume
OUTER COVER	261	1140	-	-
0	199	1675	-	-
1	176	1640	1414	34
2	155	1640	1437	27
3	136	1640	1447	21
4	117	1640	1462	16
5	98	1640	1467	11
Total (+5/-10)			7227	109
Final stroke reduced by	0	Priming Volume		22
Cylinder Mass (Kg)	319	Total Volume (Litres)		131
Maximum Pressure (Bar)	190	Max. first stage thrust		265 KN

### \*\*\*TIPPING CAPACITY AT WORKING PRESSURE



BODY LENGTH (BL)					OH	
8500	9000	9500				
42	50°	40	47°	38	45°	150
47	52°	43	49°	41	46°	450
52	54°	48	51°	44	48°	750

d = 229; r = 900; Working Pressure 175 bar

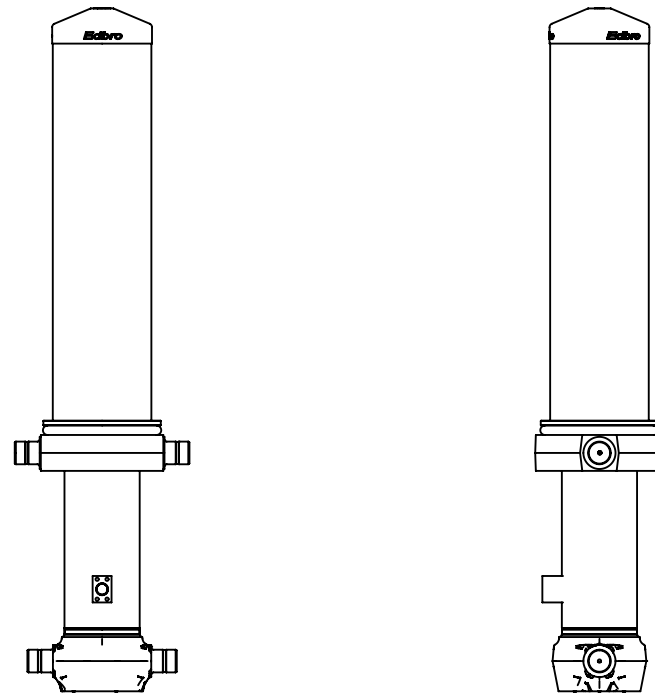
Tipping angle ( $\theta$ )  
Body + payload mass, W (tonne)

### For guidance only;

Higher working pressures and tipping capacities may be possible.  
To check your application email - [applications@edbro.co.uk](mailto:applications@edbro.co.uk)

### NOTES

1. This cylinder is for lifting purposes only and side load conditions should be avoided
2. Cylinder is painted in primer paint to RAL5013
3. Refer to [www.edbro.com](http://www.edbro.com) for:-
  - Bracket details
  - Installation instructions that must be observed
  - Correct oil selection
  - An explanation of tipping capacity



CS170057233S19A12