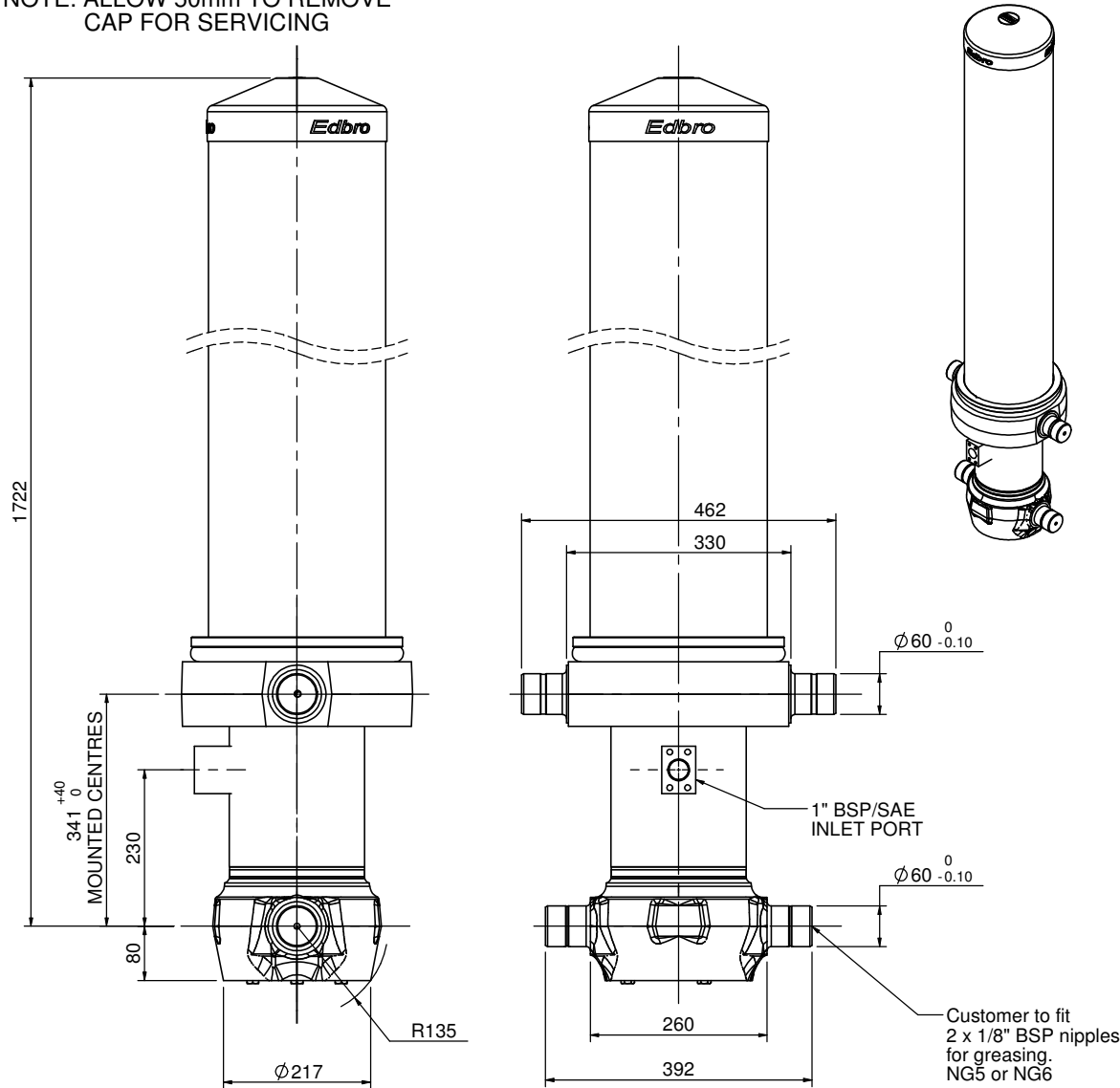


# Cylinder 5 stage front end with Outer Cover

NOTE: ALLOW 50mm TO REMOVE CAP FOR SERVICING

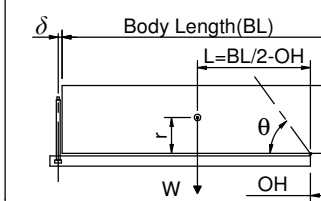


## CS170057233S23A11

SPECIFICATION		RATED CAPACITY : 37-47 TONNES*		
Stage	Diameter	Length	Stroke	Swept Volume
OUTER COVER	260.35	1345		
0	198.12	1675		
1	176.00	1640	1420	34.5
2	154.85	1640	1437	27.1
3	135.75	1640	1447	20.9
4	116.65	1640	1462	15.6
5	97.8	1640	1467	11.0
Final stroke reduced by	0	Total	7233	109.1
Cylinder Mass (Kg)	322	Priming Volume		12.0
Working Pressure (Bar)	175	Total Volume (Litres)		121.1
Maximum Pressure (Bar)	175	Max. first stage thrust	260 KN	

### \*TIPPING CAPACITY AT WORKING PRESSURE

$\delta = 229$  ;  $r = 900$



BODY LENGTH (BL)						OH
9000		9500		10000		
40	47°	38	45°	37	42°	150
43	49°	41	46°	39	44°	450
47	51°	44	48°	42	45°	750

### For guidance only;

Higher working pressures may be possible. To check your application, email Edbro plc at <applications@edbro.co.uk>

### NOTES

- If hydraulic pressure is used to limit overloading, the system relief valve must be set to the Working Pressure unless agreed by Edbro.
- The system relief valve can be set to Maximum Pressure if the load is limited by other means.
- This cylinder is for lifting purposes only and sload conditions must be avoided.
- Cylinder is painted in primer paint to RAL5010.
- See bracket options page 17BRKT01.
- See installation instructions INSTALL01.
- Use oil according to specification OIL01.

This drawing is available on request in PDF (2D), DXF (2D) or Parasolid (3D) via applications@edbro.co.uk

**Edbro**  
SETTING THE INDUSTRY STANDARD

**Edbro plc**  
Nelson Street, Bolton, Lancashire BL3 2JJ UK  
Tel +44 (0) 1204 528888 Fax +44 (0) 1204 531957  
Email: postmaster@edbro.com Web: www.edbro.com

Technical Specifications are subject to change without notice  
Date Created/Updated: 09 April 2009 09:11:34  
Refer www.edbro.com to confirm latest specification  
All dimensions are in 'mm', unless otherwise stated