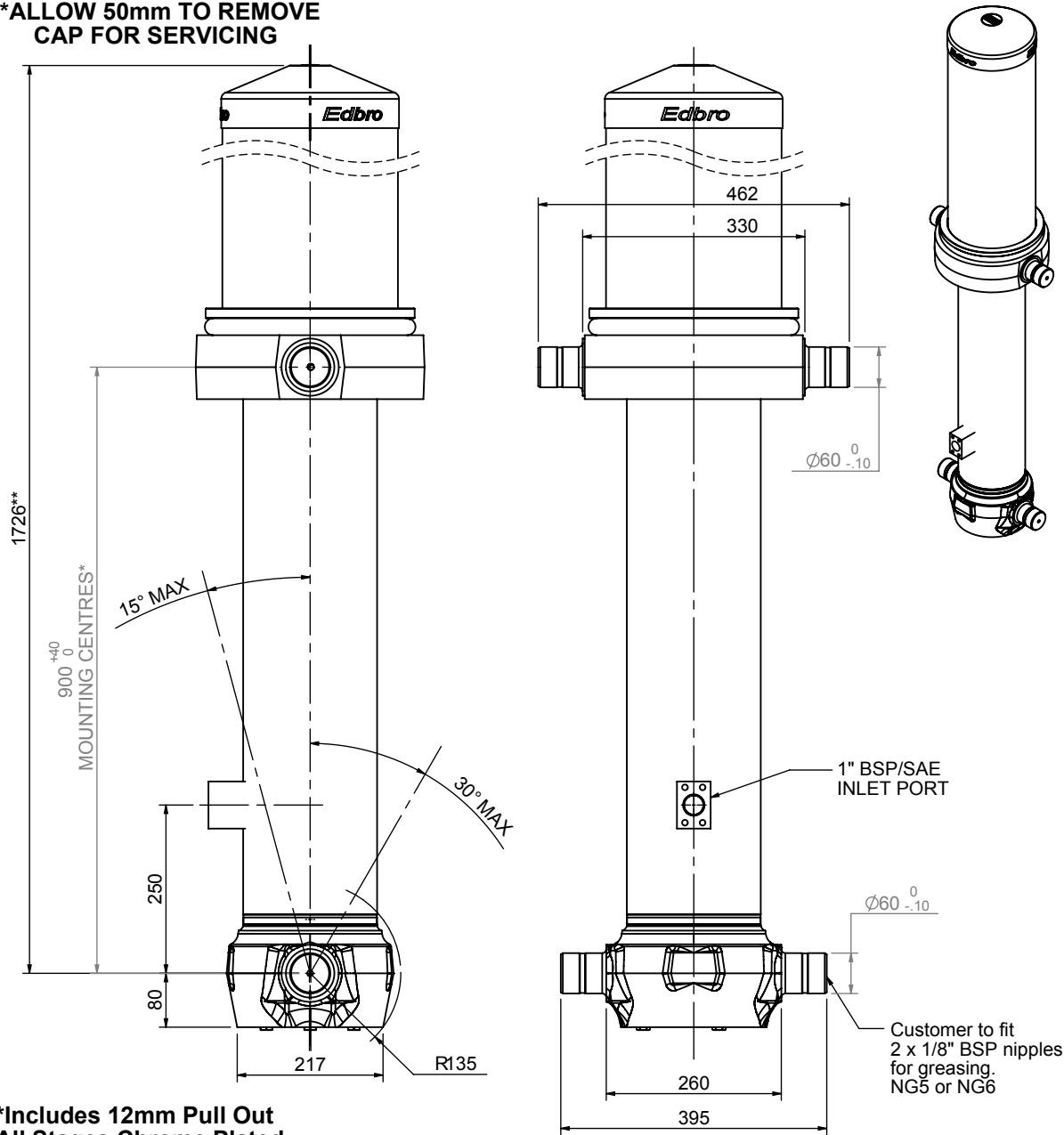


# Cylinder 5 stage front end with Outer Cover

**\*\*ALLOW 50mm TO REMOVE CAP FOR SERVICING**



**\*Includes 12mm Pull Out  
All Stages Chrome Plated**



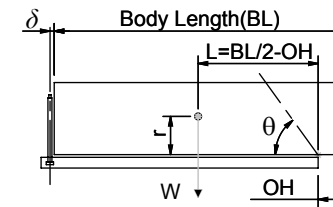
**Edbro plc**  
Nelson Street, Bolton, Lancashire BL3 2JJ UK  
Tel +44 (0) 1204 528888 Fax +44 (0) 1204 531957  
Email: postmaster@edbro.com Web: www.edbro.com

# CS170057233S25A14C

SPECIFICATION		RATED CAPACITY : 31-40 TONNES***		
Stage	Diameter	Length	Stroke	Swept Volume
OUTER COVER	261	790	-	-
0	199	1675	-	-
1	176	1640	1414	34
2	155	1640	1437	27
3	136	1640	1447	21
4	117	1640	1462	16
5	98	1640	1467	11
Final stroke reduced by	0	Total (+5/-10)	7227	109
Cylinder Mass (Kg)	311.86	Priming Volume	22	
Rated Pressure (Bar)	150	Total Volume (Litres)	131	
Maximum Pressure (Bar)	175	Max. first stage thrust	260 KN	

### \*\*\*TIPPING CAPACITY AT RATED PRESSURE

d = 229 ; r = 900



BODY LENGTH (BL)						OH
9000		9500		10000		
34	47°	33	45°	31	42°	150
37	49°	35	46°	33	44°	450
40	51°	38	48°	36	45°	750

— Tipping angle (θ)  
— Body + payload mass, W (tonne)

### For guidance only;

Higher Rated Pressures may be possible. To check your application, email Edbro plc at <applications@edbro.co.uk>

### NOTES

- If hydraulic pressure is used to limit overloading, the system relief valve must be set to the Rated Pressure unless agreed otherwise by Edbro
- The system relief valve can be set to Maximum Pressure if the load is limited by other means. See RATINGS page for advice
- This cylinder is for lifting purposes only and sload conditions must be avoided
- Cylinder is painted in primer paint to RAL5013
- See bracket options page BRKT01, BRKT02
- See installation instructions INSTALL01
- Use oil according to specification OIL01

Technical Specifications are subject to change without notice  
Date Created/Updated: 01 September 2009 12:08:33  
Refer www.edbro.com to confirm latest specification  
All dimensions are in 'mm', unless otherwise stated