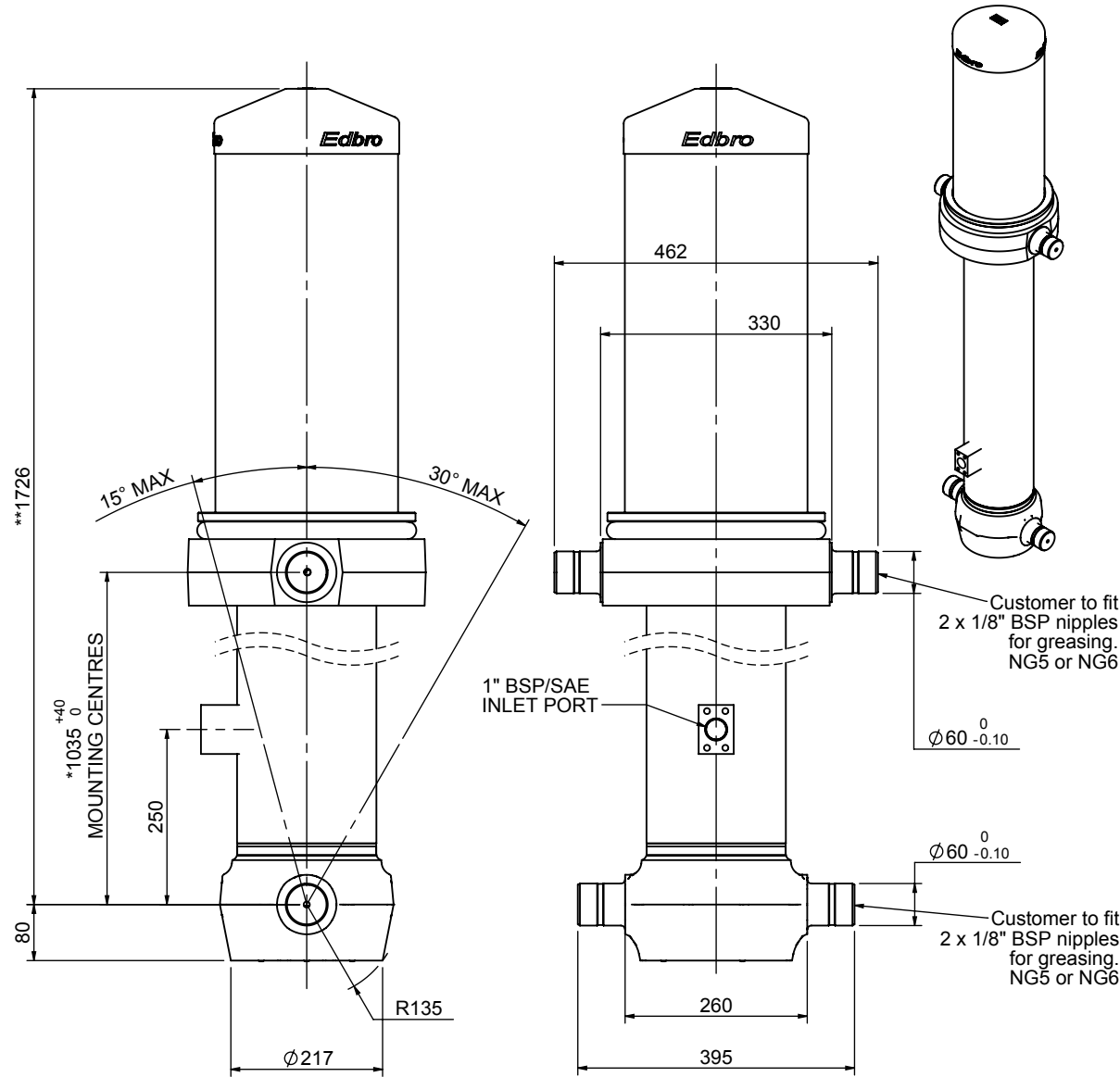


# Cylinder 5 stage front end with outer cover

**\*\*ALLOW 50mm TO REMOVE CAP FOR SERVICING**



\*Includes 12mm Pull Out.

# CS170057233S25A15

SPECIFICATION		TIPPING CAPACITY : 33-44 TONNES***		
Stage	Diameter	Length	Stroke	Swept Volume
OUTER COVER	261	655	-	-
0	199	1675	-	-
1	176	1640	1414	34
2	155	1640	1437	27
3	136	1640	1447	21
4	117	1640	1462	16
5	98	1640	1467	11
Total (+5/-10)			7227	109
Final stroke reduced by	0	Priming Volume		22
Cylinder Mass (Kg)	305	Total Volume (Litres)		131
Maximum Pressure (Bar)	190	Max. first stage thrust		265 KN

## \*\*\*TIPPING CAPACITY AT WORKING PRESSURE

d	BODY LENGTH (BL)						OH
	8500		9000		9500		
36	51°	34	47°	33	45°	150	
40	53°	37	49°	35	46°	450	
44	55°	40	51°	38	48°	750	

d = 229; r = 900; Working Pressure 150 bar  
 Tipping angle (θ)  
 Body + payload mass, W (tonne)

**For guidance only;**  
 Higher working pressures and tipping capacities may be possible.  
 To check your application email - [applications@edbro.co.uk](mailto:applications@edbro.co.uk)

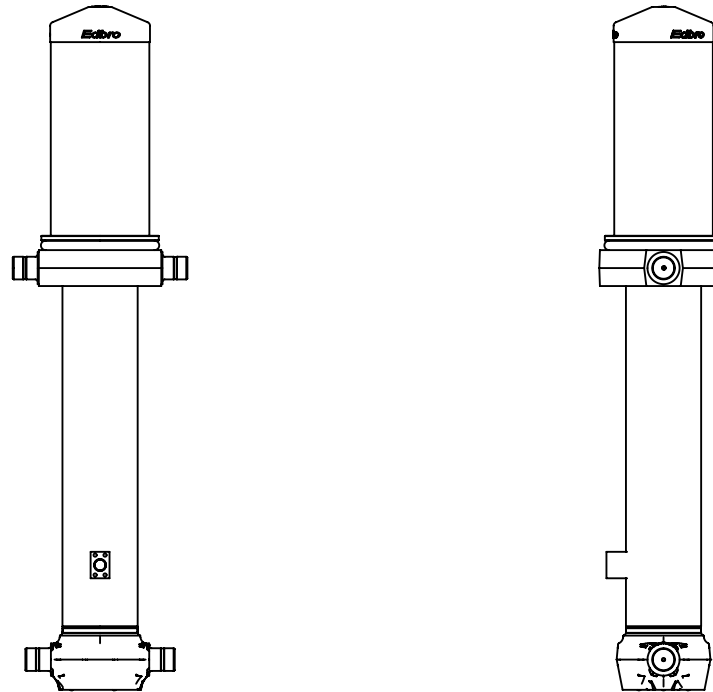
## NOTES

1. This cylinder is for lifting purposes only and side load conditions should be avoided
2. Cylinder is painted in primer paint to RAL5013
3. Refer to [www.edbro.com](http://www.edbro.com) for:-
  - Bracket details
  - Installation instructions that must be observed
  - Correct oil selection
  - An explanation of tipping capacity



**Edbro plc**  
 Nelson Street, Bolton, England, BL3 2JJ  
 Tel +44 (0) 1204 528888 Fax +44 (0) 1204 531957  
 Email: [postmaster@edbro.com](mailto:postmaster@edbro.com) Web: [www.edbro.com](http://www.edbro.com)

Technical Specifications are subject to change without notice  
 Date Created/Updated: 08 August 2012  
 Refer [www.edbro.com](http://www.edbro.com) to confirm latest specification  
 All dimensions are in 'mm', unless otherwise stated



CS170057233S25A15