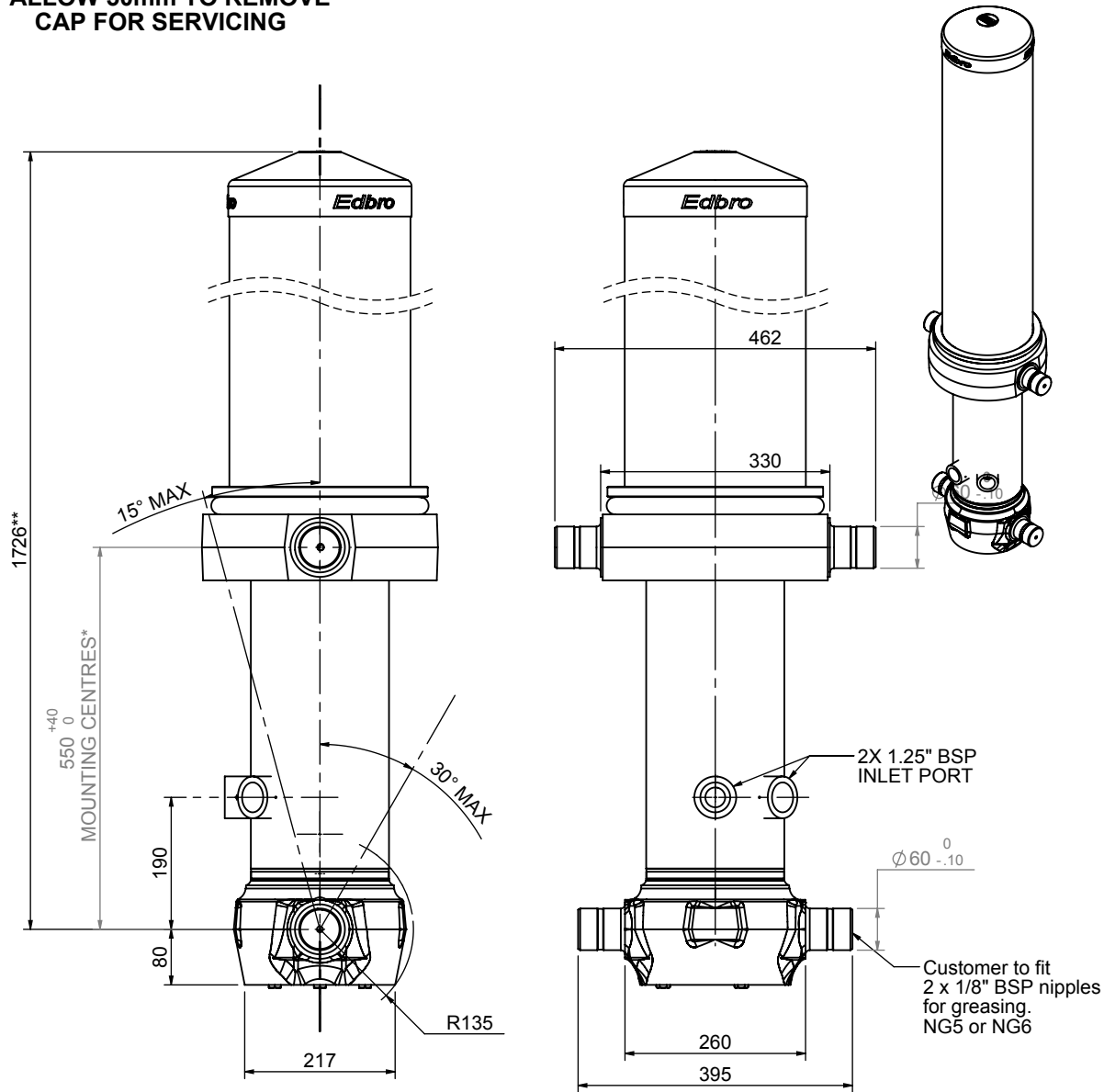


Cylinder 5 stage front end with Outer Cover

****ALLOW 50mm TO REMOVE CAP FOR SERVICING**



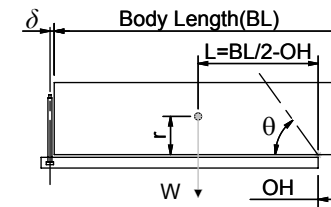
***Includes 9mm Pull Out**

CS170057233T19A12

| SPECIFICATION | | RATED CAPACITY : 38-55 TONNES*** | | |
|-------------------------|----------|----------------------------------|--------|--------------|
| Stage | Diameter | Length | Stroke | Swept Volume |
| OUTER COVER | 261 | 1140 | - | - |
| 0 | 199 | 1675 | - | - |
| 1 | 176 | 1640 | 1415 | 34 |
| 2 | 155 | 1640 | 1437 | 27 |
| 3 | 136 | 1640 | 1447 | 21 |
| 4 | 117 | 1640 | 1462 | 16 |
| 5 | 98 | 1640 | 1467 | 11 |
| Final stroke reduced by | 0 | Total (+5/-10) | 7228 | 109 |
| Cylinder Mass (Kg) | 320.51 | Priming Volume | 22 | |
| Rated Pressure (Bar) | 175 | Total Volume (Litres) | 131 | |
| Maximum Pressure (Bar) | 175 | Max. first stage thrust | 260 KN | |

***TIPPING CAPACITY AT RATED PRESSURE

d = 229 ; r = 900



| | | BODY LENGTH (BL) | | | OH | |
|----|-----|------------------|------|------|-----|-----|
| | | 7500 | 8000 | 8500 | | |
| 43 | 49° | 40 | 46° | 38 | 43° | 150 |
| 48 | 51° | 44 | 47° | 41 | 44° | 450 |
| 55 | 53° | 49 | 50° | 45 | 46° | 750 |

— Tipping angle (θ)
— Body + payload mass, W (tonne)

For guidance only;

Higher Rated Pressures may be possible. To check your application, email Edbro plc at <applications@edbro.co.uk>

NOTES

- If hydraulic pressure is used to limit overloading, the system relief valve must be set to the Rated Pressure unless agreed otherwise by Edbro
- The system relief valve can be set to Maximum Pressure if the load is limited by other means. See RATINGS page for advice
- This cylinder is for lifting purposes only and sload conditions must be avoided
- Cylinder is painted in primer paint to RAL5013
- See bracket options page BRKT01, BRKT02
- See installation instructions INSTALL01
- Use oil according to specification OIL01