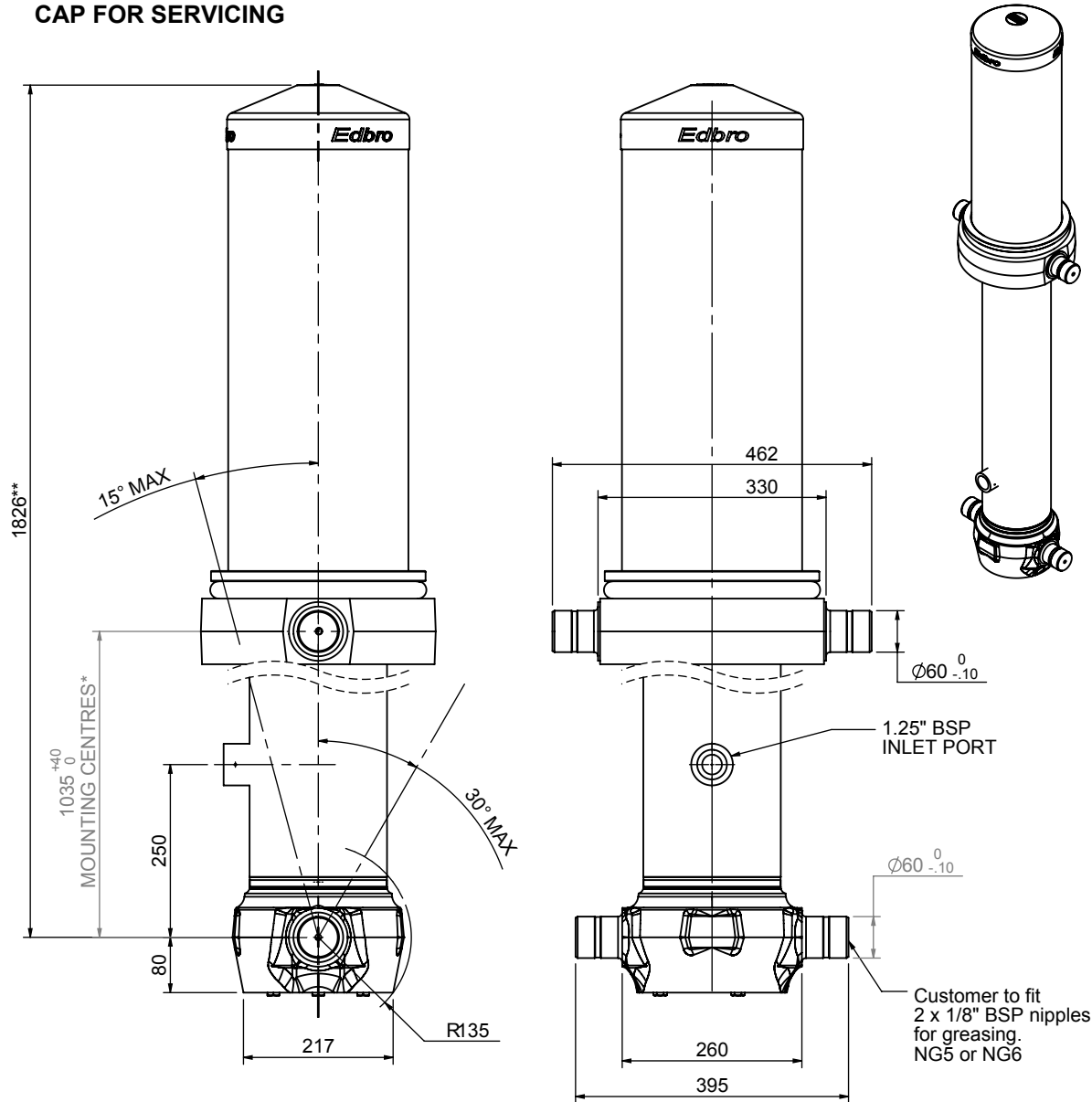


Cylinder 5 stage front end with Outer Cover

****ALLOW 50mm TO REMOVE CAP FOR SERVICING**



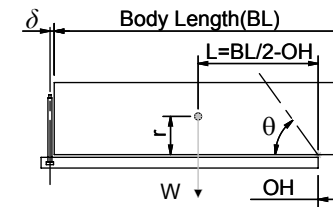
*Includes 12mm Pull Out

CS170057733B25A15

SPECIFICATION		RATED CAPACITY : 30-37 TONNES***		
Stage	Diameter	Length	Stroke	Swept Volume
OUTER COVER	261	755	-	-
0	199	1775	-	-
1	176	1740	1514	37
2	155	1740	1537	29
3	136	1740	1547	22
4	117	1740	1562	17
5	98	1740	1567	12
Final stroke reduced by	0	Total (+5/-10)	7727	117
Cylinder Mass (Kg)	322.64	Priming Volume	24	
Rated Pressure (Bar)	135	Total Volume (Litres)	141	
Maximum Pressure (Bar)	175	Max. first stage thrust	260 KN	

***TIPPING CAPACITY AT RATED PRESSURE

d = 229 ; r = 900



BODY LENGTH (BL)					OH	
9250	9750	10250				
31	50°	30	47°		150	
34	51°	32	48°	30	46°	450
37	53°	35	50°	33	47°	750

— Tipping angle (θ)
 — Body + payload mass, W (tonne)

For guidance only;

Higher Rated Pressures may be possible. To check your application, email Edbro plc at <applications@edbro.co.uk>

NOTES

- If hydraulic pressure is used to limit overloading, the system relief valve must be set to the Rated Pressure unless agreed otherwise by Edbro
- The system relief valve can be set to Maximum Pressure if the load is limited by other means. See RATINGS page for advice
- This cylinder is for lifting purposes only and sload conditions must be avoided
- Cylinder is painted in primer paint to RAL5013
- See bracket options page BRKT01, BRKT02
- See installation instructions INSTALL01
- Use oil according to specification OIL01