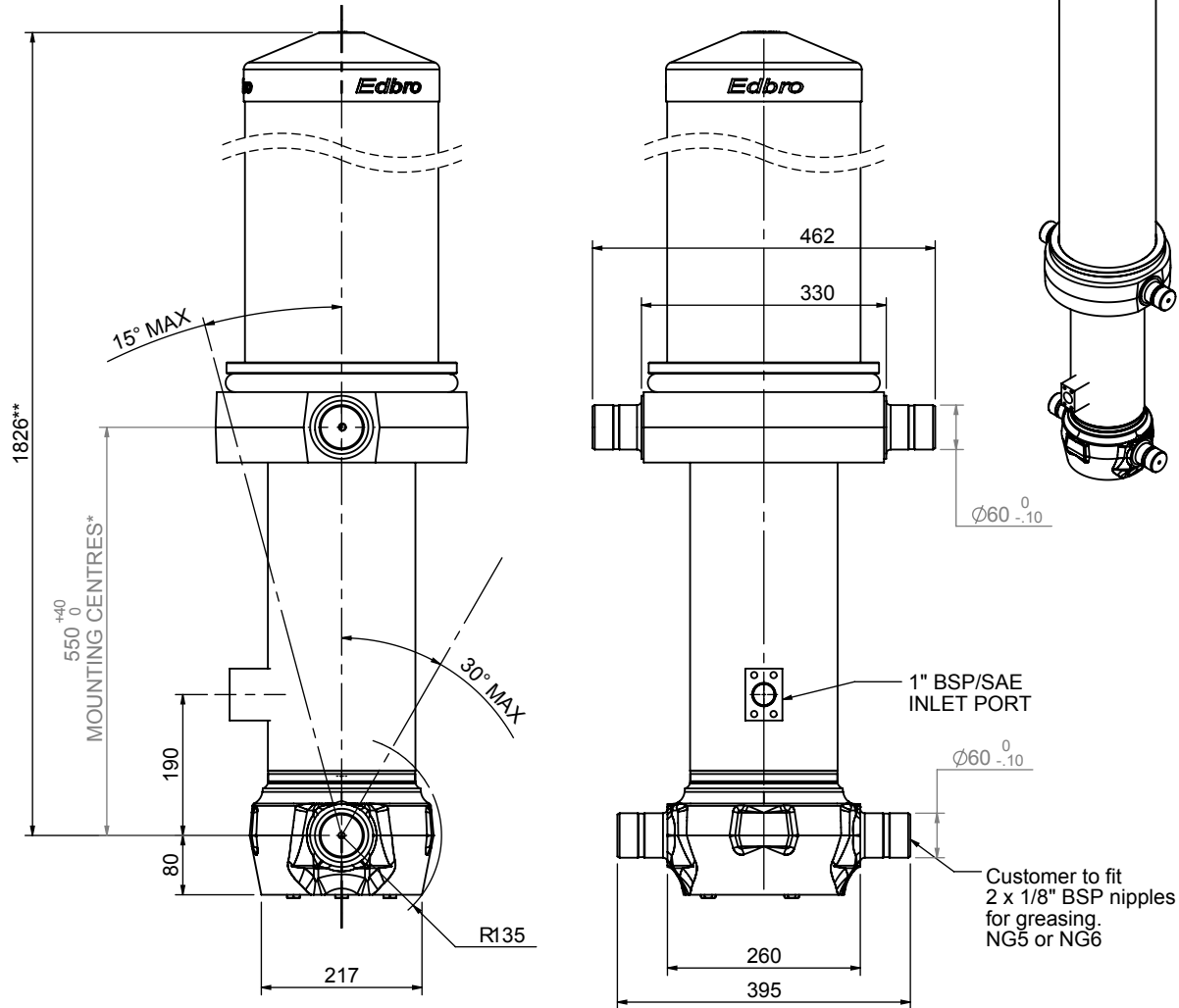


Cylinder 5 stage front end with Outer Cover

****ALLOW 50mm TO REMOVE CAP FOR SERVICING**



***Includes 12mm Pull Out
All Stages Chrome Plated**



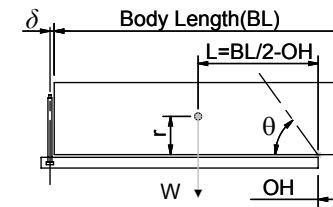
Edbro plc
Nelson Street, Bolton, Lancashire BL3 2JJ UK
Tel +44 (0) 1204 528888 Fax +44 (0) 1204 531957
Email: postmaster@edbro.com Web: www.edbro.com

CS170057733S19A12C

SPECIFICATION		RATED CAPACITY : 31-40 TONNES***		
Stage	Diameter	Length	Stroke	Swept Volume
OUTER COVER	261	1240	-	-
0	199	1775	-	-
1	176	1740	1514	37
2	155	1740	1537	29
3	136	1740	1547	22
4	117	1740	1562	17
5	98	1740	1567	12
Final stroke reduced by	0	Total (+5/-10)	7727	117
Cylinder Mass (Kg)	337.77	Priming Volume	24	
Rated Pressure (Bar)	150	Total Volume (Litres)	141	
Maximum Pressure (Bar)	175	Max. first stage thrust	260 KN	

***TIPPING CAPACITY AT RATED PRESSURE

d = 229 ; r = 900



BODY LENGTH (BL)						OH
9000		9500		10000		
34	48°	33	45°	31	43°	150
37	50°	35	47°	33	44°	450
40	51°	37	48°	35	46°	750

For guidance only;

Higher Rated Pressures may be possible. To check your application, email Edbro plc at <applications@edbro.co.uk>

NOTES

- If hydraulic pressure is used to limit overloading, the system relief valve must be set to the Rated Pressure unless agreed otherwise by Edbro
- The system relief valve can be set to Maximum Pressure if the load is limited by other means. See RATINGS page for advice
- This cylinder is for lifting purposes only and sload conditions must be avoided
- Cylinder is painted in primer paint to RAL5013
- See bracket options page BRKT01, BRKT02
- See installation instructions INSTALL01
- Use oil according to specification OIL01

Technical Specifications are subject to change without notice
Date Created/Updated: 25 August 2009 09:26:39
Refer www.edbro.com to confirm latest specification
All dimensions are in 'mm', unless otherwise stated