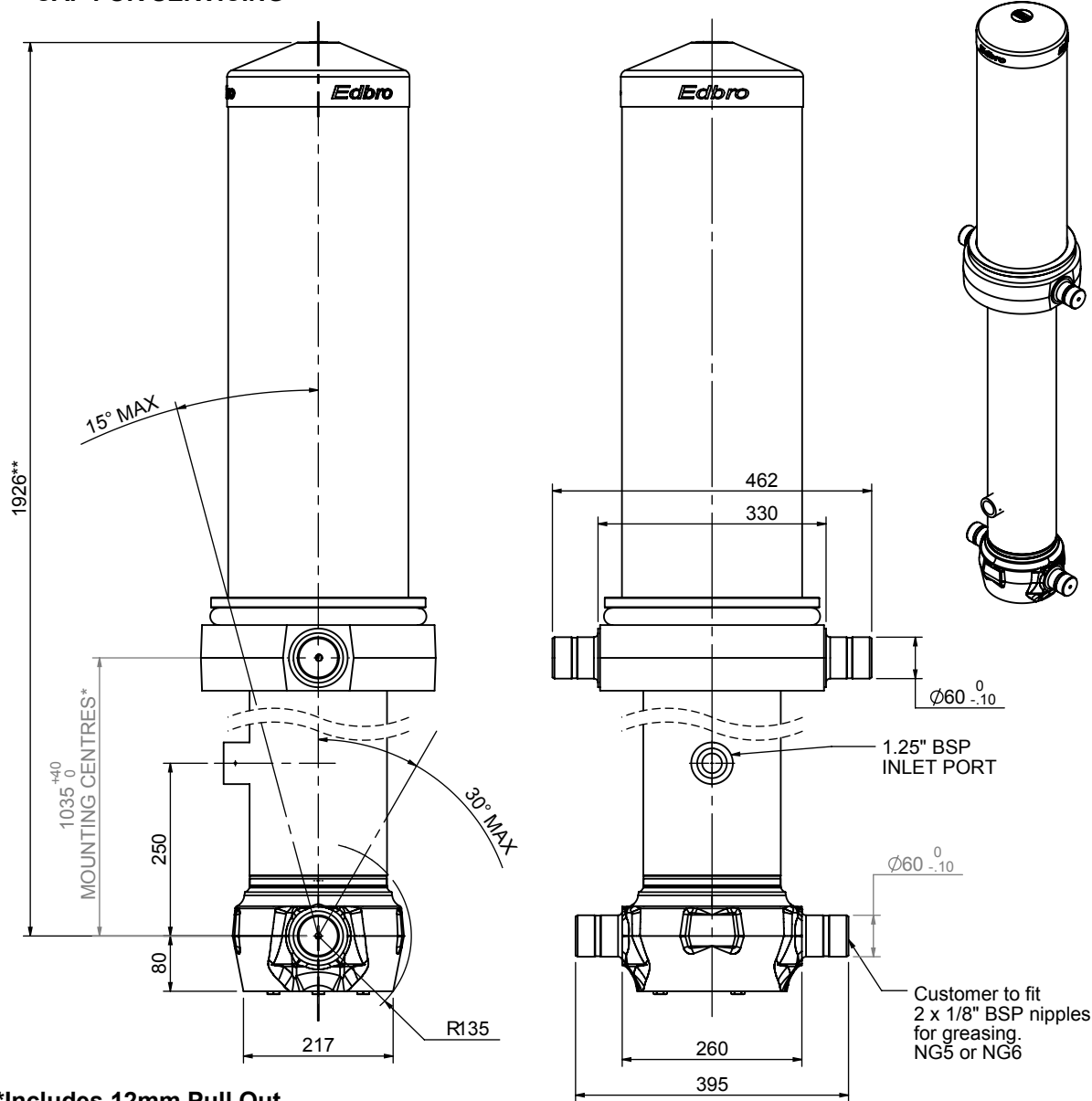


# Cylinder 5 stage front end with Outer Cover

**\*\*ALLOW 50mm TO REMOVE CAP FOR SERVICING**



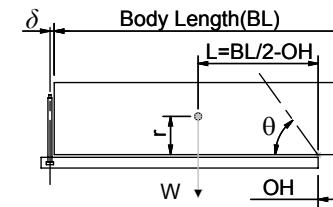
\*Includes 12mm Pull Out

# CS170058233B25A15

SPECIFICATION		RATED CAPACITY : 32-38 TONNES***		
Stage	Diameter	Length	Stroke	Swept Volume
OUTER COVER	261	855	-	-
0	199	1875	-	-
1	176	1840	1614	39
2	155	1840	1637	31
3	136	1840	1647	24
4	117	1840	1662	18
5	98	1840	1667	13
Final stroke reduced by	0	Total (+5/-10)	8227	125
Cylinder Mass (Kg)	338.13	Priming Volume	25	
Rated Pressure (Bar)	135	Total Volume (Litres)	150	
Maximum Pressure (Bar)	175	Max. first stage thrust	260 KN	

## \*\*\*TIPPING CAPACITY AT RATED PRESSURE

d = 229 ; r = 900



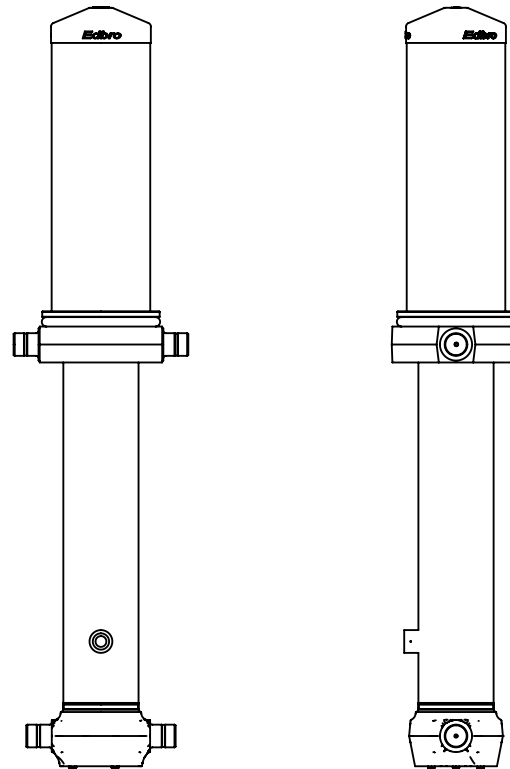
		BODY LENGTH (BL)			
		9500	10000	10500	OH
32	52°				150
35	53°	33	50°		450
38	55°	35	52°	33 49°	750

## For guidance only;

Higher Rated Pressures may be possible. To check your application, email Edbro plc at <applications@edbro.co.uk>

## NOTES

- If hydraulic pressure is used to limit overloading, the system relief valve must be set to the Rated Pressure unless agreed otherwise by Edbro
- The system relief valve can be set to Maximum Pressure if the load is limited by other means. See RATINGS page for advice
- This cylinder is for lifting purposes only and sload conditions must be avoided
- Cylinder is painted in primer paint to RAL5013
- See bracket options page BRKT01, BRKT02
- See installation instructions INSTALL01
- Use oil according to specification OIL01



CS170058233B25A15