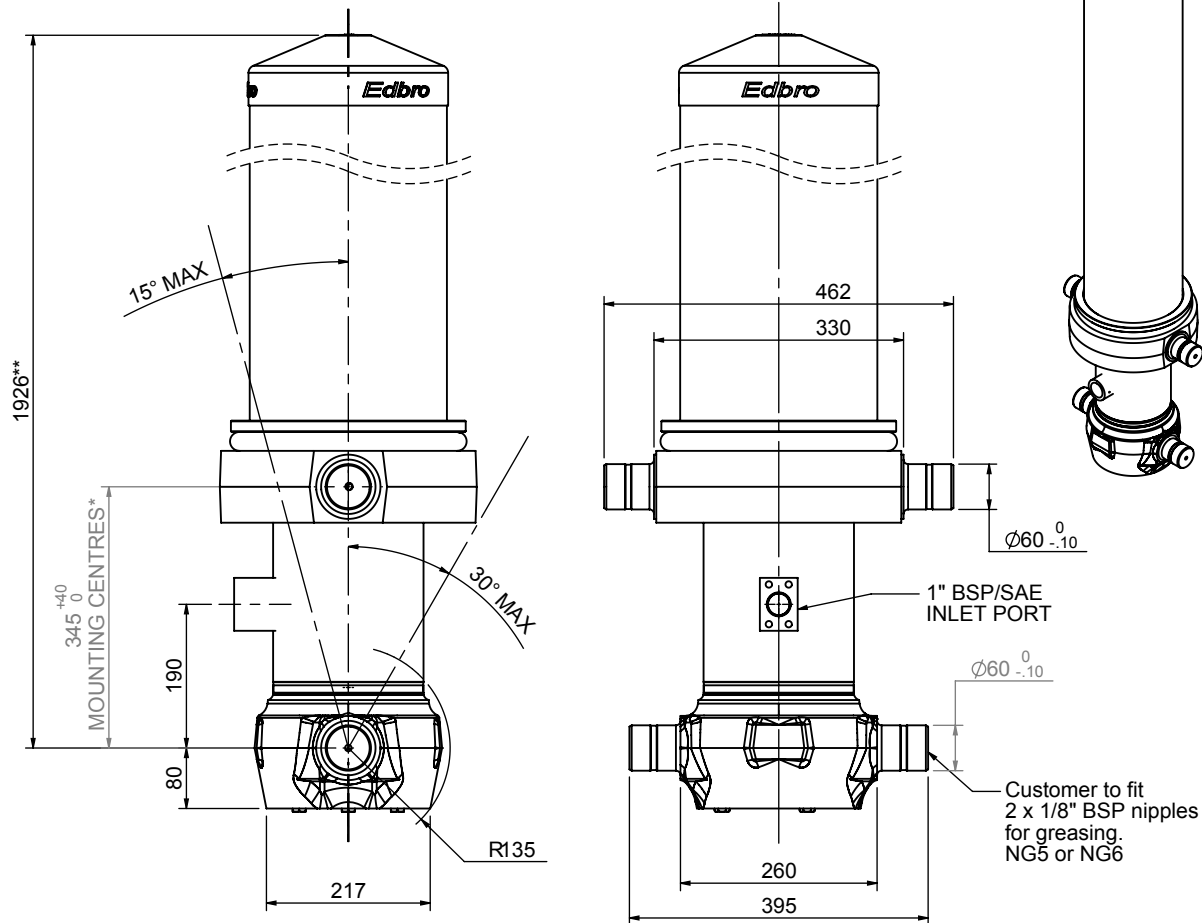


Cylinder 5 stage front end with Outer Cover

****ALLOW 50mm TO REMOVE CAP FOR SERVICING**



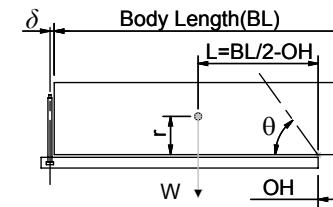
*Includes 12mm Pull Out

CS170058233S19A11

SPECIFICATION		RATED CAPACITY : 32-39 TONNES***		
Stage	Diameter	Length	Stroke	Swept Volume
OUTER COVER	261	1545	-	-
0	199	1875	-	-
1	176	1840	1614	39
2	155	1840	1637	31
3	136	1840	1647	24
4	117	1840	1662	18
5	98	1840	1667	13
Final stroke reduced by	0	Total (+5/-10)	8227	125
Cylinder Mass (Kg)	359.37	Priming Volume	25	
Rated Pressure (Bar)	150	Total Volume (Litres)	150	
Maximum Pressure (Bar)	175	Max. first stage thrust	260 KN	

***TIPPING CAPACITY AT RATED PRESSURE

d = 229 ; r = 900



BODY LENGTH (BL)						OH
10000	10500	11000				
34	48°	33	46°	32	44°	150
36	50°	35	47°	33	45°	450
39	52°	37	49°	35	46°	750

— Tipping angle (θ)
— Body + payload mass, W (tonne)

For guidance only;

Higher Rated Pressures may be possible. To check your application, email Edbro plc at <applications@edbro.co.uk>

NOTES

- If hydraulic pressure is used to limit overloading, the system relief valve must be set to the Rated Pressure unless agreed otherwise by Edbro
- The system relief valve can be set to Maximum Pressure if the load is limited by other means. See RATINGS page for advice
- This cylinder is for lifting purposes only and sload conditions must be avoided
- Cylinder is painted in primer paint to RAL5013
- See bracket options page BRKT01, BRKT02
- See installation instructions INSTALL01
- Use oil according to specification OIL01

Edbro
SETTING THE INDUSTRY STANDARD

Edbro plc
Nelson Street, Bolton, Lancashire BL3 2JJ UK
Tel +44 (0) 1204 528888 Fax +44 (0) 1204 531957
Email: postmaster@edbro.com Web: www.edbro.com

Technical Specifications are subject to change without notice
Date Created/Updated: 25 August 2009 09:37:30
Refer www.edbro.com to confirm latest specification
All dimensions are in 'mm', unless otherwise stated