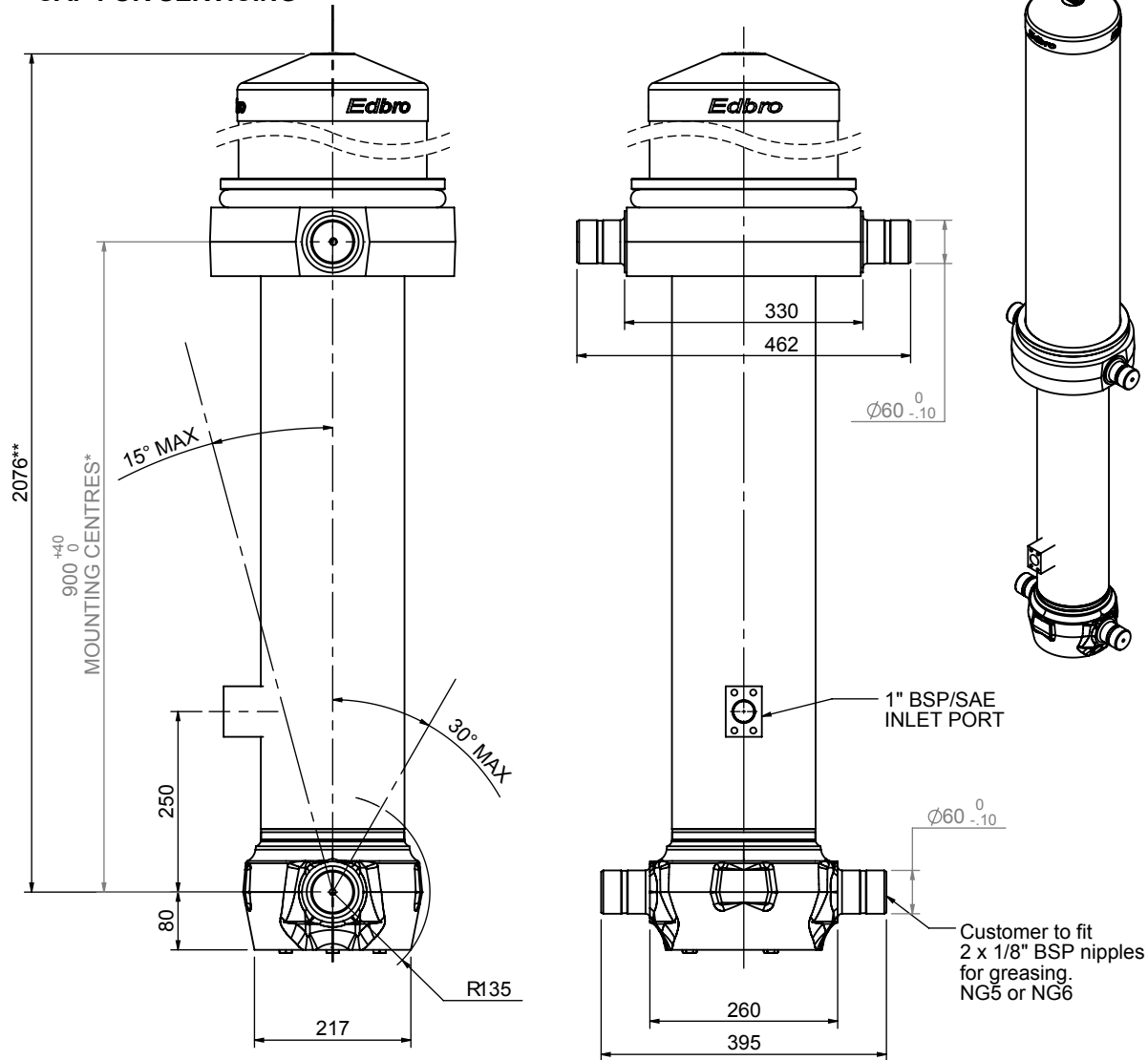


# Cylinder 5 stage front end with Outer Cover

**\*\*ALLOW 50mm TO REMOVE CAP FOR SERVICING**



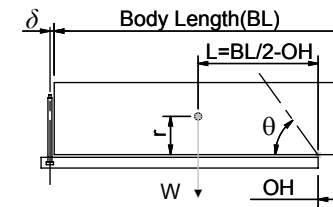
\*Includes 12mm Pull Out

# CS170058233S25S14

SPECIFICATION		RATED CAPACITY : 30-38 TONNES***		
Stage	Diameter	Length	Stroke	Swept Volume
OUTER COVER	261	1140	-	-
0	199	2025	-	-
1	176	1990	1764	43
2	155	1990	1787	34
3	136	1990	1797	26
4	117	1990	1812	19
5	98	1067	1067	8
Final stroke reduced by	750	Total (+5/-10)	8227	130
Cylinder Mass (Kg)	366.25	Priming Volume	27	
Rated Pressure (Bar)	135	Total Volume (Litres)	157	
Maximum Pressure (Bar)	175	Max. first stage thrust	260 KN	

## \*\*\*TIPPING CAPACITY AT RATED PRESSURE

d = 229 ; r = 900



BODY LENGTH (BL)						OH
10000		10500		11000		
33	49°	31	46°	30	44°	150
35	50°	33	48°	31	45°	450
38	52°	36	49°	34	47°	750

— Tipping angle ( $\theta$ )  
 — Body + payload mass, W (tonne)

## For guidance only;

Higher Rated Pressures may be possible. To check your application, email Edbro plc at <applications@edbro.co.uk>

## NOTES

- If hydraulic pressure is used to limit overloading, the system relief valve must be set to the Rated Pressure unless agreed otherwise by Edbro
- The system relief valve can be set to Maximum Pressure if the load is limited by other means. See RATINGS page for advice
- This cylinder is for lifting purposes only and sload conditions must be avoided
- Cylinder is painted in primer paint to RAL5013
- See bracket options page BRKT01, BRKT02
- See installation instructions INSTALL01
- Use oil according to specification OIL01