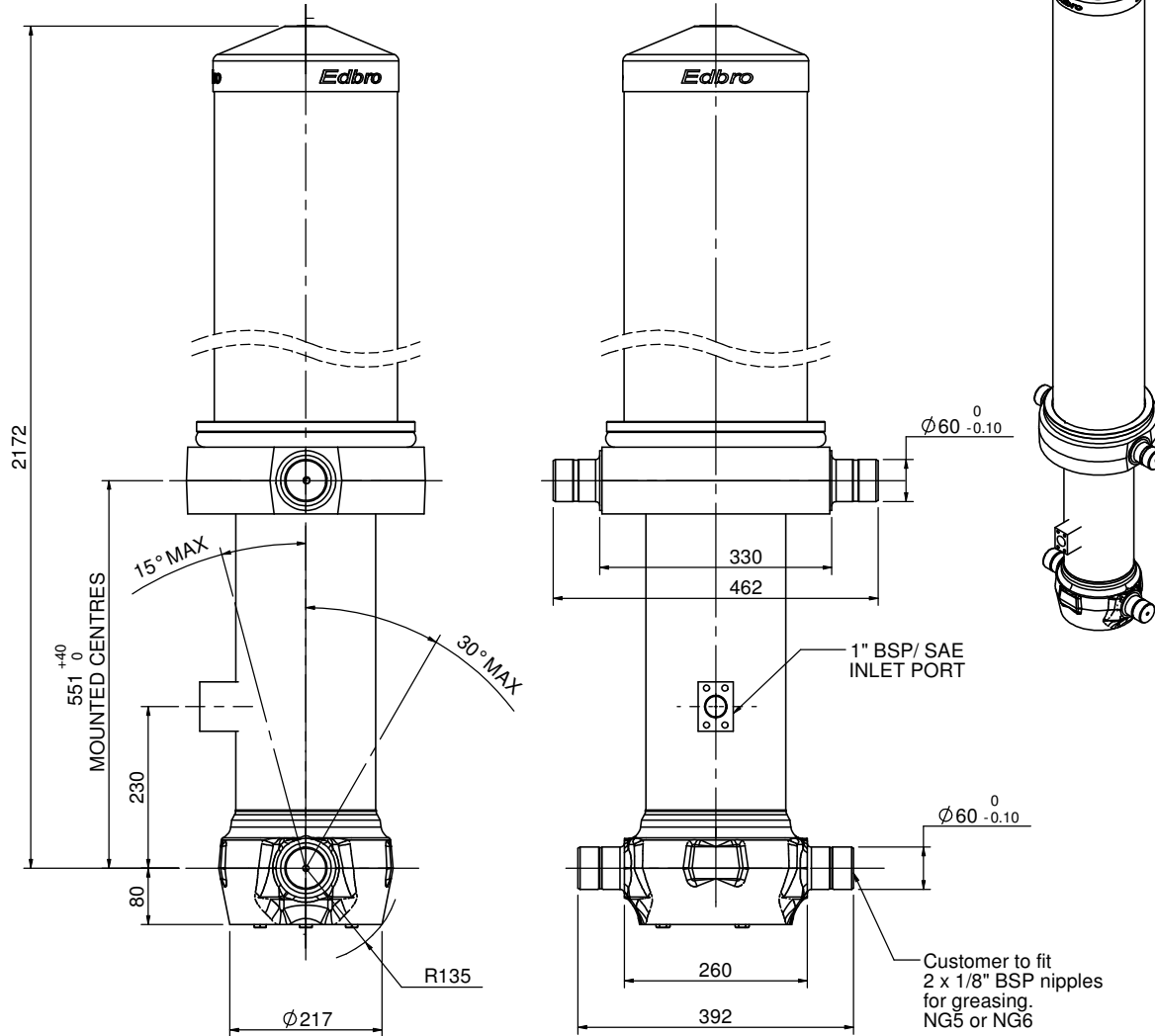


# Cylinder 5 stage front end with outer cover

NOTE: ALLOW 50mm TO REMOVE CAP FOR SERVICING



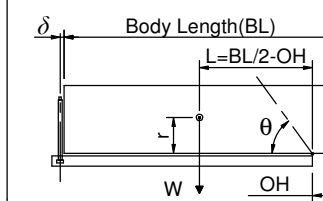
## CS170058983S23L12

SPECIFICATION RATED CAPACITY : 23-29 TONNES\*

Stage	Diameter	Length	Stroke	Swept Volume
OUTER COVER	260.35	1585		
0	198.12	2125		
1	176.00	2090	1870	45.5
2	154.85	2090	1887	35.5
3	135.75	2090	1897	27.5
4	116.65	2090	1912	20.4
5	97.8	2090	1417	10.6
Final stroke reduced by	500	Total	8983	139.5
Cylinder Mass (Kg)	396	Priming Volume		12.0
Working Pressure (Bar)	110	Total Volume (Litres)		151.5
Maximum Pressure (Bar)	175	Max. first stage thrust		260 KN

### \*TIPPING CAPACITY AT WORKING PRESSURE

$\delta = 229$  ;  $r = 900$



BODY LENGTH (BL)						OH
11000		11500		12000		
25	48°	24	46°	23	44°	150
27	50°	26	47°	25	45°	450
29	51°	27	49°	26	46°	750

### For guidance only;

Higher working pressures may be possible. To check your application, email Edbro plc at <applications@edbro.co.uk>

### NOTES

- If hydraulic pressure is used to limit overloading, the system relief valve must be set to the Working Pressure unless agreed by Edbro.
- The system relief valve can be set to Maximum Pressure if the load is limited by other means.
- This cylinder is for lifting purposes only and sload conditions must be avoided.
- Cylinder is painted in primer paint to RAL5010.
- See bracket options page 17BRKT01.
- See installation instructions INSTALL01.
- Use oil according to specification OIL01.

This drawing is available on request in PDF (2D), DXF (2D) or Parasolid (3D) via applications@edbro.co.uk

**Edbro**  
SETTING THE INDUSTRY STANDARD

**Edbro plc**  
Nelson Street, Bolton, Lancashire BL3 2JJ UK  
Tel +44 (0) 1204 528888 Fax +44 (0) 1204 531957  
Email: postmaster@edbro.com Web: www.edbro.com

Technical Specifications are subject to change without notice  
Date Created/Updated: 09 April 2009 11:28:19  
Refer www.edbro.com to confirm latest specification  
All dimensions are in 'mm', unless otherwise stated