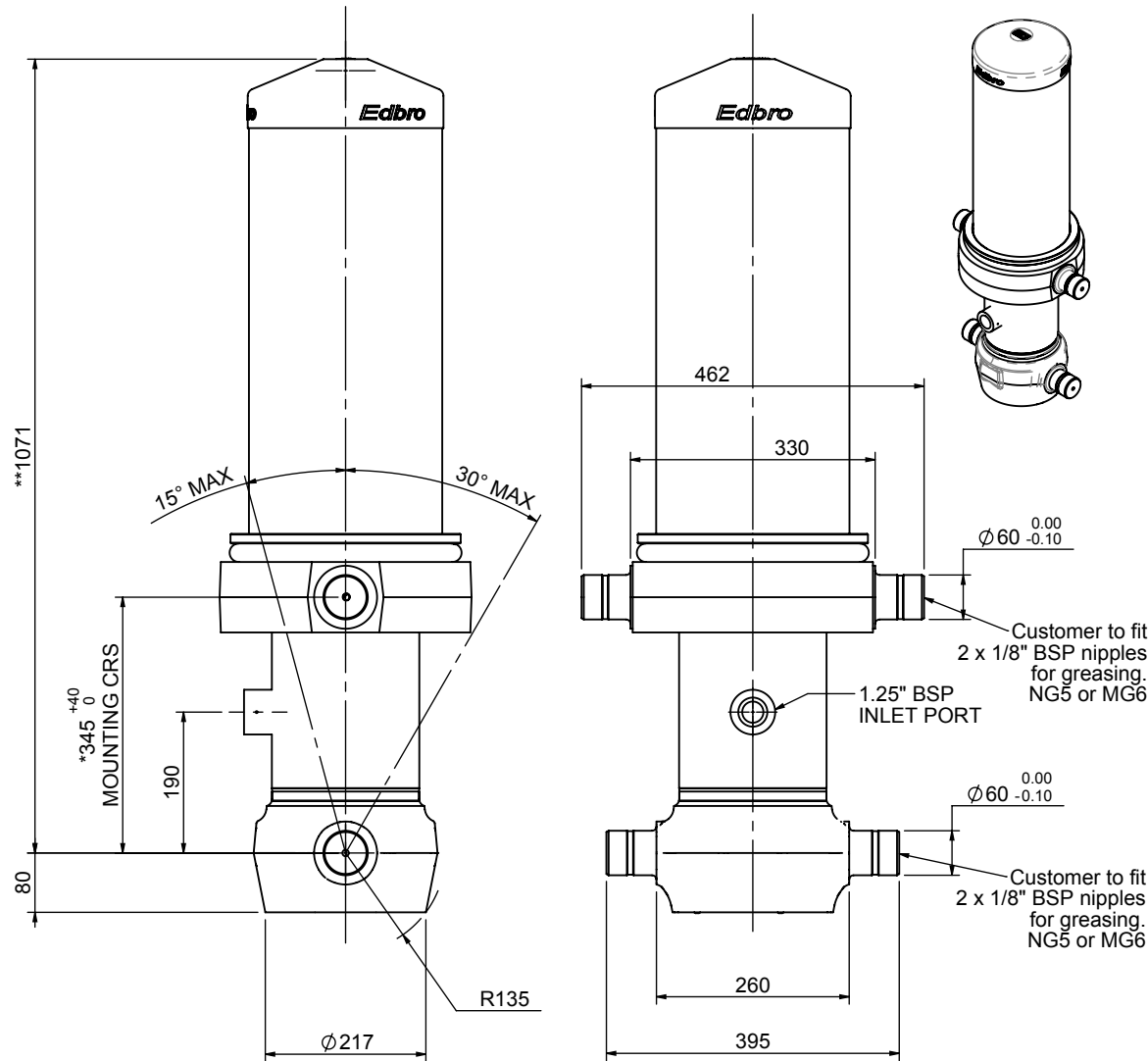


Cylinder 6 stage front end with outer cover

****ALLOW 50mm TO REMOVE CAP FOR SERVICING**

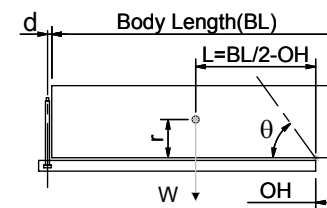


*Includes 12mm Pull Out.

CS170064805B19A21

SPECIFICATION		TIPPING CAPACITY : 26-45 TONNES***		
Stage	Diameter	Length	Stroke	Swept Volume
Outer cover	261	690	-	-
0	199	1025	-	-
1	176	990	764	19
2	155	990	787	15
3	136	990	797	12
4	117	990	812	9
5	98	990	817	6
6	79	990	822	4
Total (+5/-10)			4799	65
Final stroke reduced by	0	Priming Volume	13	
Cylinder Mass (Kg)	227	Total Volume (Litres)	78	
Maximum Pressure (Bar)	190	Max. first stage thrust	265 KN	

***TIPPING CAPACITY AT WORKING PRESSURE



		BODY LENGTH (BL)				OH
		6000	6500	7000		
31	47°	28	43°	26	40°	150
36	49°	32	45°	29	42°	450
45	52°	37	48°	33	44°	750

d = 229; r = 900; Working Pressure 175 bar

Tipping angle (θ)

Body + payload mass, W (tonne)

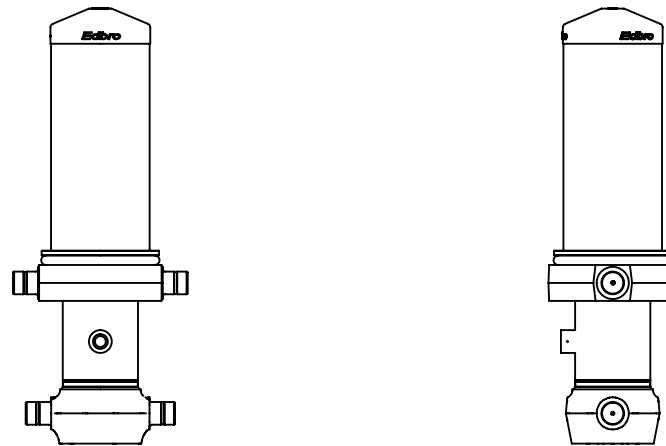
For guidance only;

Higher working pressures and tipping capacities may be possible.

To check your application email - applications@edbro.co.uk

NOTES

1. This cylinder is for lifting purposes only and side load conditions should be avoided
2. Cylinder is painted in primer paint to RAL5013
3. Refer to www.edbro.com for;-
 - Bracket details
 - Installation instructions that must be observed
 - Correct oil selection
 - An explanation of tipping capacity



CS170064805B19A21