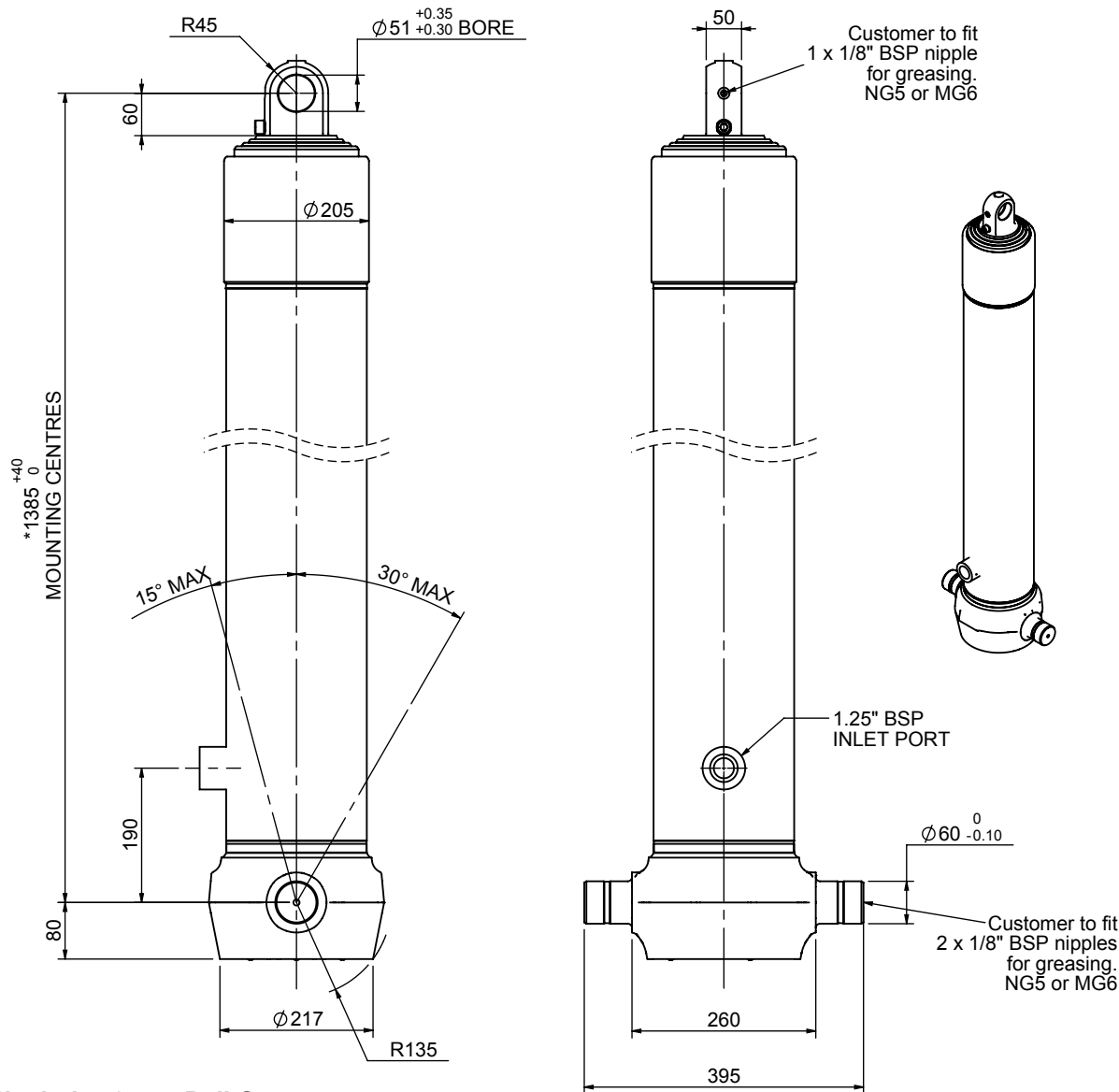


# Cylinder 4 stage front end with plain eye

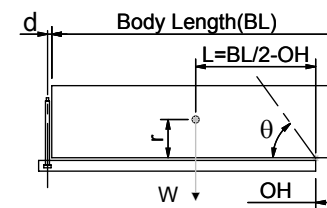


\*Includes 9 mm Pull Out.  
Last Stage Chrome Plated

# CS170E44566B19A01

SPECIFICATION		TIPPING CAPACITY : 36-61 TONNES***		
Stage	Diameter	Length	Stroke	Swept Volume
-	-	-	-	-
-	-	-	-	-
0	199	1375	-	-
1	176	1340	1117	27
2	155	1340	1137	21
3	136	1340	1147	17
4	117	1340	1162	12
Total (+5/-10)			4563	77
Final stroke reduced by	0	Priming Volume		20
Cylinder Mass (Kg)	192	Total Volume (Litres)		97
Maximum Pressure (Bar)	190	Max. first stage thrust		265 KN

### \*\*\*TIPPING CAPACITY AT WORKING PRESSURE



BODY LENGTH (BL)						OH
5750	6250	6750				
42	49°	38	45°	36	41°	150
49	52°	43	47°	40	43°	450
61	56°	51	50°	45	46°	750

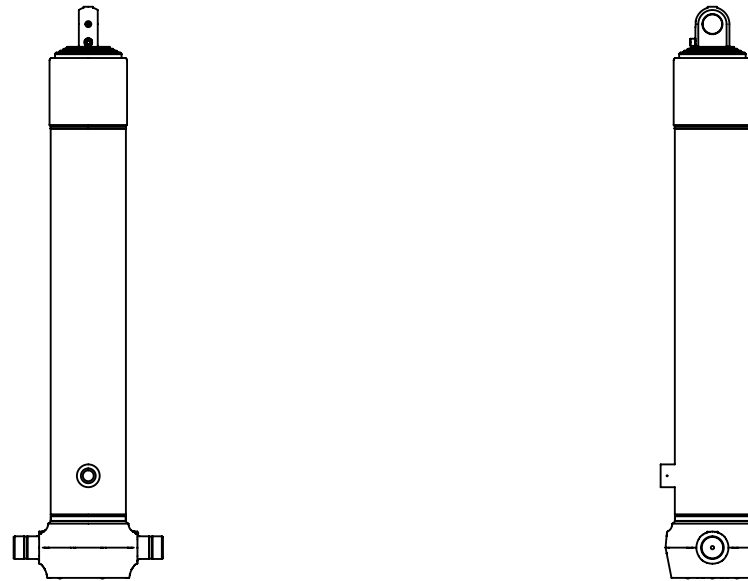
d = 0; r = 900; Working Pressure 120 bar

### For guidance only;

Higher working pressures and tipping capacities may be possible.  
To check your application email - [applications@edbro.co.uk](mailto:applications@edbro.co.uk)

### NOTES

1. This cylinder is for lifting purposes only and side load conditions should be avoided
2. Cylinder is painted in primer paint to RAL5013
3. Refer to [www.edbro.com](http://www.edbro.com) for:-
  - Bracket details
  - Installation instructions that must be observed
  - Correct oil selection
  - An explanation of tipping capacity



CS170E44566B19A01