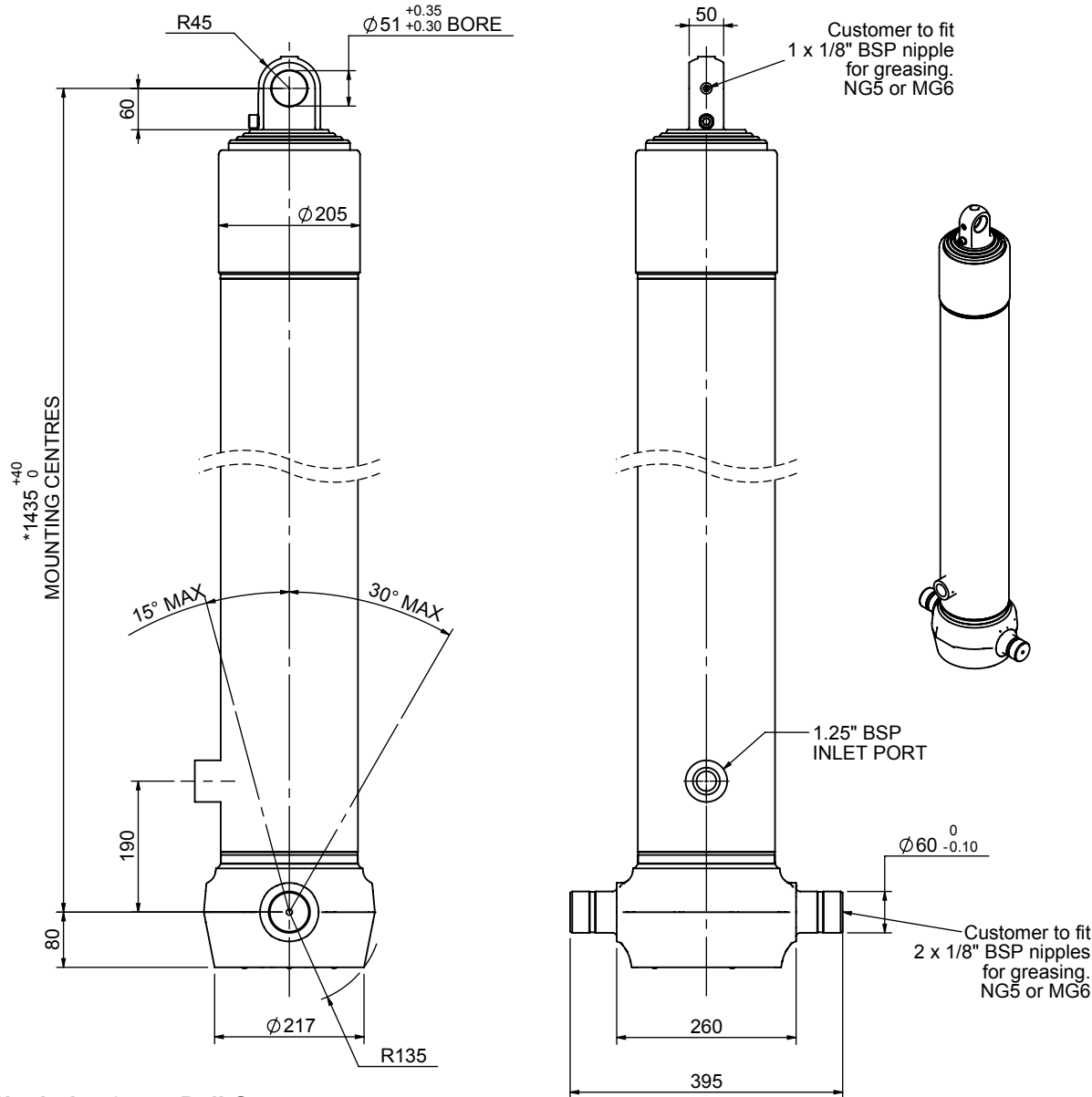


Cylinder 4 stage front end with plain eye

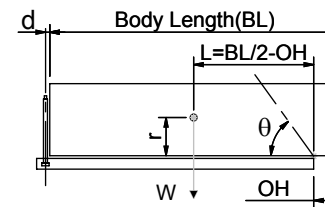


*Includes 9 mm Pull Out.
Last Stage Chrome Plated

CS170E44766B19A01

SPECIFICATION		TIPPING CAPACITY : 37-61 TONNES***		
Stage	Diameter	Length	Stroke	Swept Volume
-	-	-	-	-
-	-	-	-	-
0	199	1425	-	-
1	176	1390	1167	28
2	155	1390	1187	22
3	136	1390	1197	17
4	117	1390	1212	13
Total (+5/-10)			4763	80
Final stroke reduced by	0	Priming Volume		20
Cylinder Mass (Kg)	197	Total Volume (Litres)		100
Maximum Pressure (Bar)	190	Max. first stage thrust		265 KN

***TIPPING CAPACITY AT WORKING PRESSURE



BODY LENGTH (BL)						OH
6000	6500	7000				
43	49°	39	45°	37	41°	150
50	52°	44	47°	41	43°	450
61	56°	51	50°	46	46°	750

d = 0; r = 900; Working Pressure 125 bar

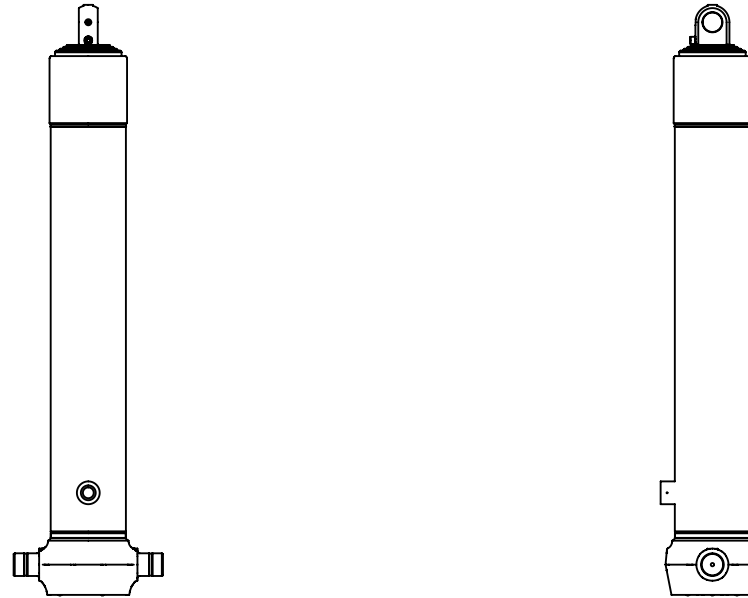
For guidance only;

Higher working pressures and tipping capacities may be possible.

To check your application email - applications@edbro.co.uk

NOTES

1. This cylinder is for lifting purposes only and side load conditions should be avoided
2. Cylinder is painted in primer paint to RAL5013
3. Refer to www.edbro.com for:-
 - Bracket details
 - Installation instructions that must be observed
 - Correct oil selection
 - An explanation of tipping capacity



CS170E44766B19A01