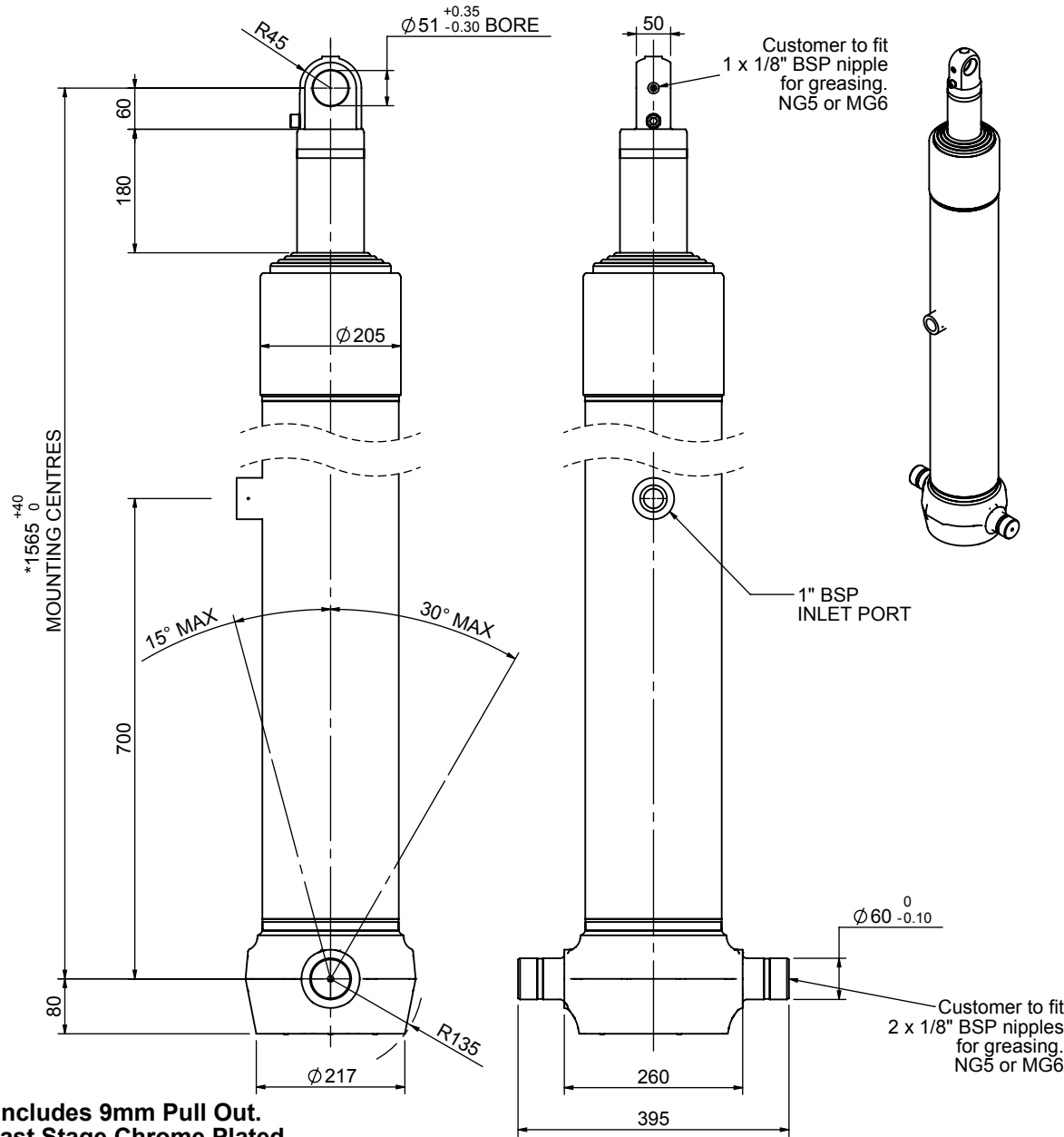


# Cylinder 5 stage front end with plain eye

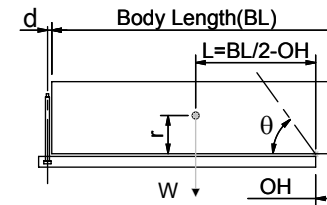


\*Includes 9mm Pull Out.  
Last Stage Chrome Plated

# CS170E55733B70A08

SPECIFICATION		TIPPING CAPACITY : 30-41 TONNES***		
Stage	Diameter	Length	Stroke	Swept Volume
-	-	-	-	-
0	199	1375	-	-
1	176	1340	1117	27
2	155	1340	1137	21
3	136	1340	1147	17
4	117	1340	1162	12
5	98	1515	1167	9
Total (+5/-10)			5730	86
Final stroke reduced by	0	Priming Volume		18
Cylinder Mass (Kg)	209	Total Volume (Litres)		104
Maximum Pressure (Bar)	190	Max. first stage thrust		265 KN

### \*\*\*TIPPING CAPACITY AT WORKING PRESSURE



BODY LENGTH (BL)						OH
7250		7750		8250		
31	49°	30	45°			150
34	51°	33	47°	31	44°	450
38	54°	36	49°	33	46°	750

d = 0; r = 900; Working Pressure 135 bar

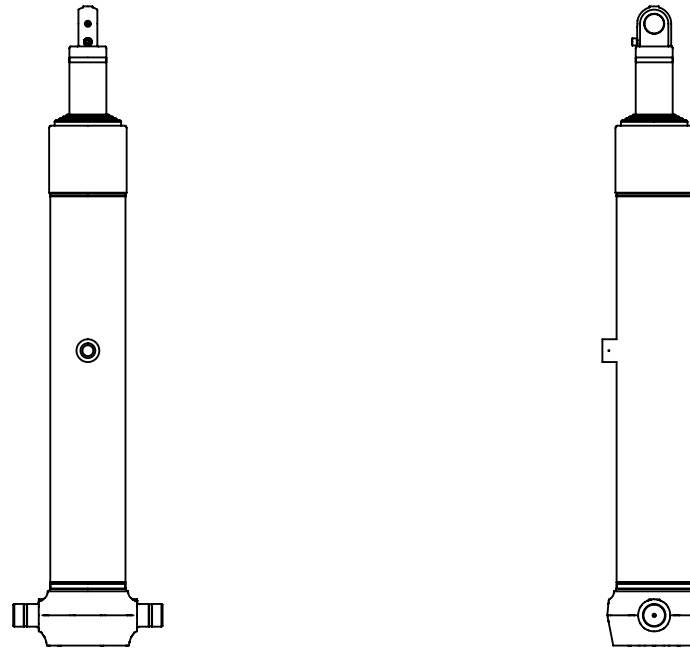
### For guidance only;

Higher working pressures and tipping capacities may be possible.

To check your application email - [applications@edbro.co.uk](mailto:applications@edbro.co.uk)

### NOTES

1. This cylinder is for lifting purposes only and side load conditions should be avoided
2. Cylinder is painted in primer paint to RAL5013
3. Refer to [www.edbro.com](http://www.edbro.com) for:-
  - Bracket details
  - Installation instructions that must be observed
  - Correct oil selection
  - An explanation of tipping capacity



CS170E55733B70A08