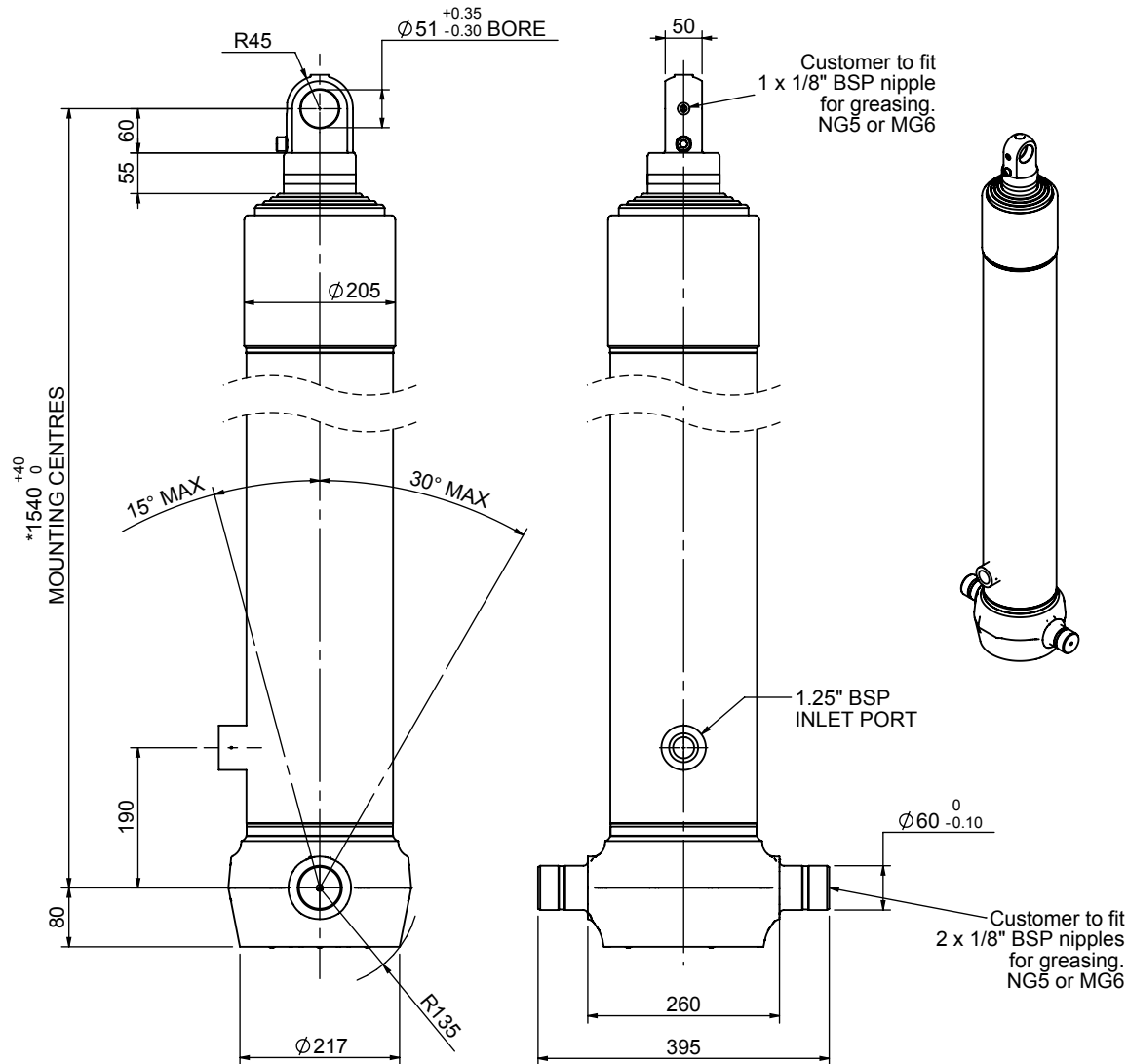


# Cylinder 5 stage front end with plain eye



\*Includes 9mm Pull Out.  
Last Stage Chrome Plated

# CS170E56233B19A03

SPECIFICATION		TIPPING CAPACITY : 28-40 TONNES***		
Stage	Diameter	Length	Stroke	Swept Volume
-	-	-	-	-
0	199	1475	-	-
1	176	1440	1217	30
2	155	1440	1237	23
3	136	1440	1247	18
4	117	1440	1262	14
5	98	1490	1267	10
Total (+5/-10)			6230	95
Final stroke reduced by	0	Priming Volume		19
Cylinder Mass (Kg)	220	Total Volume (Litres)		114
Maximum Pressure (Bar)	190	Max. first stage thrust		265 KN

\*\*\*TIPPING CAPACITY AT WORKING PRESSURE

BODY LENGTH (BL)						OH
7750		8250		8750		
32	49°	30	46°	28	43°	150
35	52°	32	48°	30	45°	450
40	54°	36	50°	33	47°	750

d = 0; r = 900; Working Pressure 135 bar

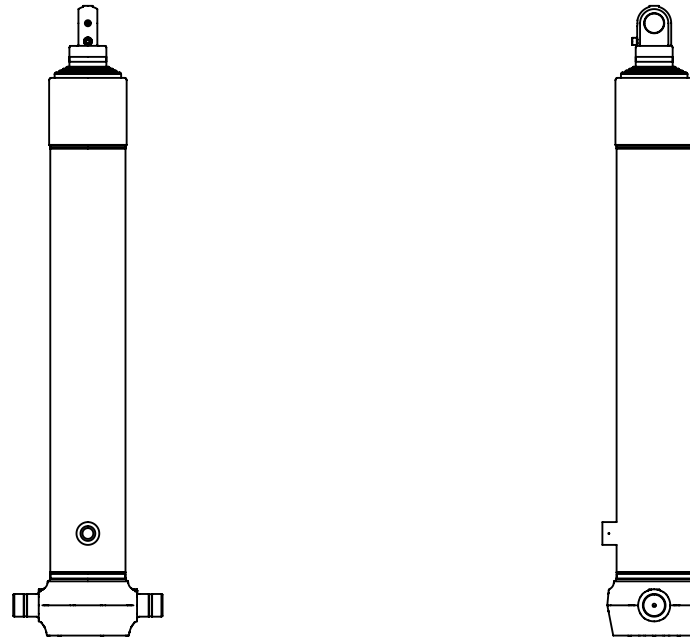
**For guidance only;**  
Higher working pressures and tipping capacities may be possible.  
To check your application email - [applications@edbro.co.uk](mailto:applications@edbro.co.uk)

- NOTES**
- This cylinder is for lifting purposes only and side load conditions should be avoided
  - Cylinder is painted in primer paint to RAL5013
  - Refer to [www.edbro.com](http://www.edbro.com) for:-
    - Bracket details
    - Installation instructions that must be observed
    - Correct oil selection
    - An explanation of tipping capacity



**Edbro plc**  
Nelson Street, Bolton, England, BL3 2JJ  
Tel +44 (0) 1204 528888 Fax +44 (0) 1204 531957  
Email: [postmaster@edbro.com](mailto:postmaster@edbro.com) Web: [www.edbro.com](http://www.edbro.com)

Technical Specifications are subject to change without notice  
Date Created/Updated: 14 August 2012  
Refer [www.edbro.com](http://www.edbro.com) to confirm latest specification  
All dimensions are in 'mm', unless otherwise stated



CS170E56233B19A03