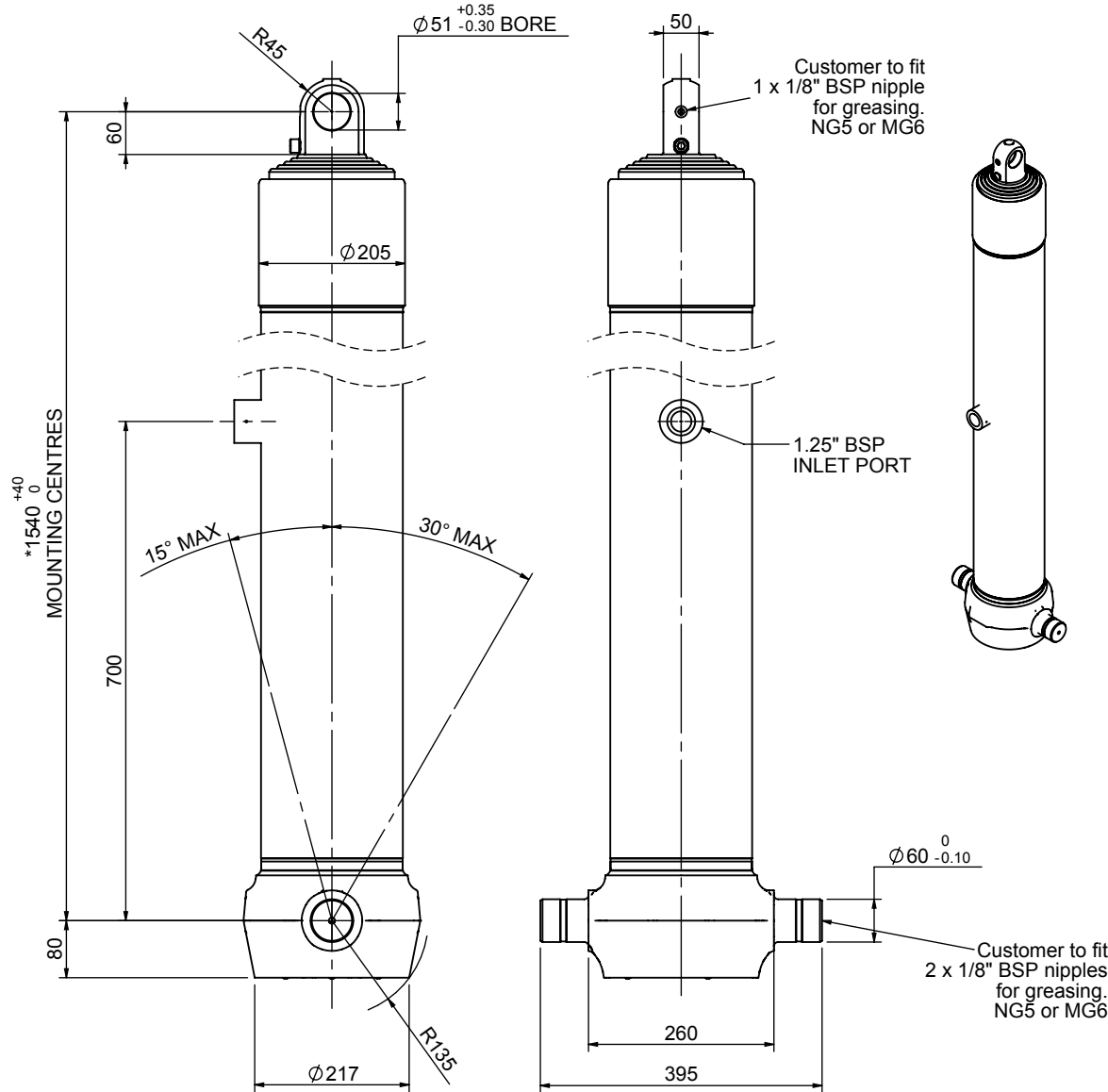


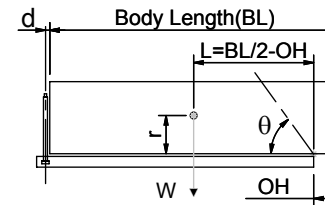
# Cylinder 5 stage front end with plain eye

CS170E56483B70A01



SPECIFICATION		TIPPING CAPACITY : 25-35 TONNES***		
Stage	Diameter	Length	Stroke	Swept Volume
-	-	-	-	-
0	199	1525	-	-
1	176	1490	1267	31
2	155	1490	1287	24
3	136	1490	1297	19
4	117	1490	1312	14
5	98	1490	1317	10
Total (+5/-10)			6480	98
Final stroke reduced by	0	Priming Volume		20
Cylinder Mass (Kg)	226	Total Volume (Litres)		118
Maximum Pressure (Bar)	190	Max. first stage thrust		265 KN

### \*\*\*TIPPING CAPACITY AT WORKING PRESSURE



BODY LENGTH (BL)						OH
8000		85000		9000		
28	50°	26	46°	25	44°	150
31	52°	29	48°	27	45°	450
35	54°	32	50°	29	47°	750

d = 0; r = 900; Working Pressure 120 bar

#### For guidance only;

Higher working pressures and tipping capacities may be possible.

To check your application email - [applications@edbro.co.uk](mailto:applications@edbro.co.uk)

#### NOTES

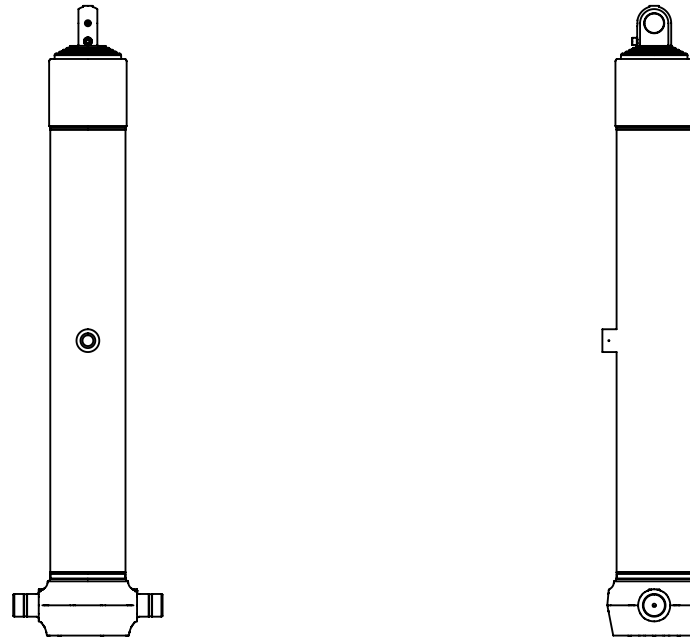
1. This cylinder is for lifting purposes only and side load conditions should be avoided
2. Cylinder is painted in primer paint to RAL5013
3. Refer to [www.edbro.com](http://www.edbro.com) for:-
  - Bracket details
  - Installation instructions that must be observed
  - Correct oil selection
  - An explanation of tipping capacity

\*Includes 9mm Pull Out.  
Last Stage Chrome Plated

**Edbro**  
SETTING THE INDUSTRY STANDARD

**Edbro plc**  
Nelson Street, Bolton, England, BL3 2JJ  
Tel +44 (0) 1204 528888 Fax +44 (0) 1204 531957  
Email: [postmaster@edbro.com](mailto:postmaster@edbro.com) Web: [www.edbro.com](http://www.edbro.com)

Technical Specifications are subject to change without notice  
Date Created/Updated: 14 August 2012  
Refer [www.edbro.com](http://www.edbro.com) to confirm latest specification  
All dimensions are in 'mm', unless otherwise stated



CS170E56483B70A01