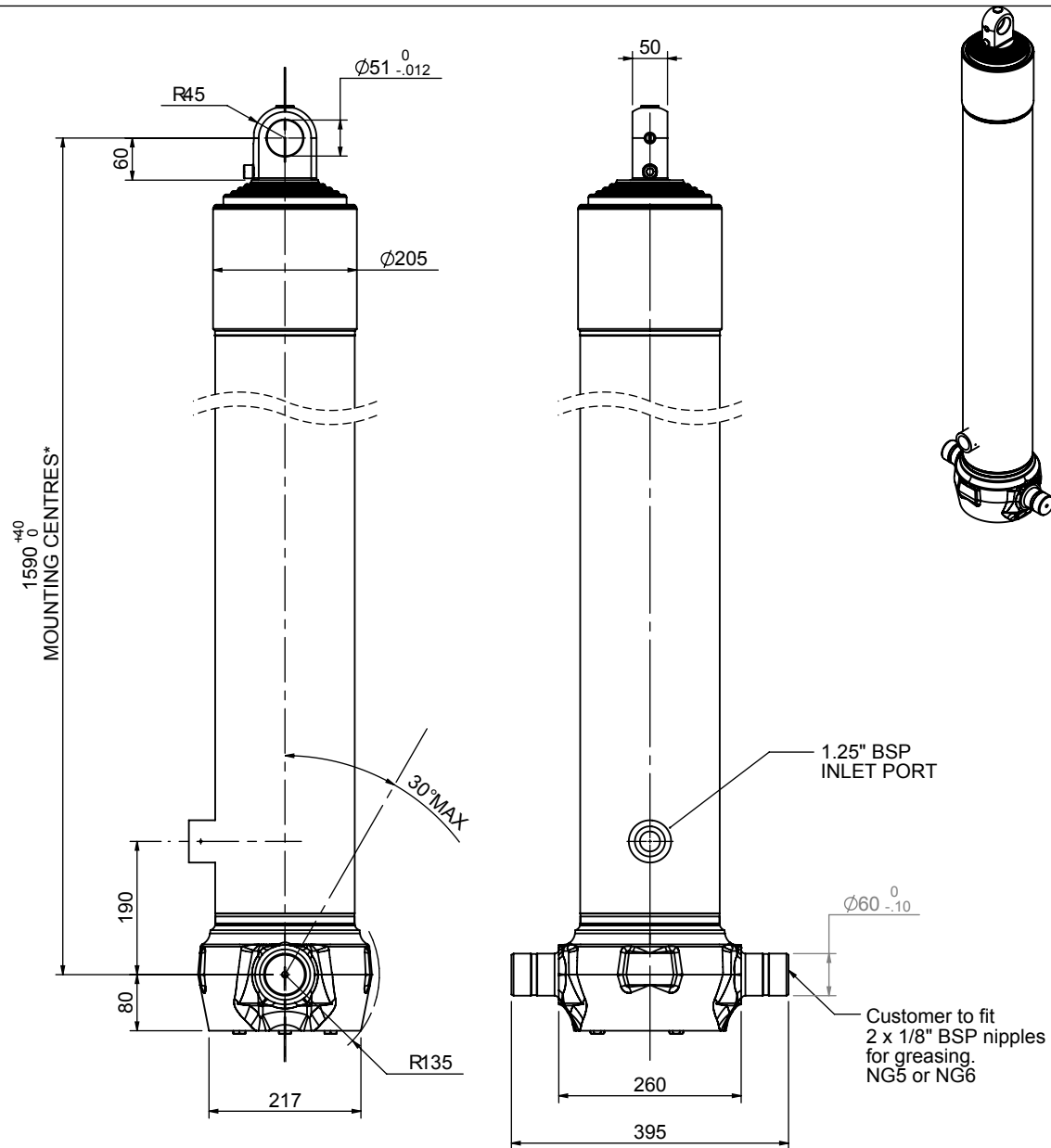


Cylinder 5 stage front end with plain eye

CS170E56733B19A01C

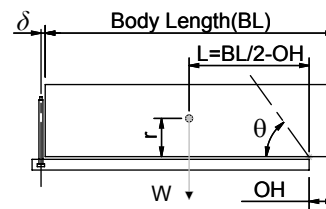


SPECIFICATION RATED CAPACITY : 31-39 TONNES***

Stage	Diameter	Length	Stroke	Swept Volume
-	-	-	-	-
0	199	1575	-	-
1	176	1540	1317	32
2	155	1540	1337	25
3	136	1540	1347	20
4	117	1540	1362	15
5	98	1540	1367	10
Final stroke reduced by	0	Total (+5/-10)	6730	102
Cylinder Mass (Kg)	234.56	Priming Volume		21
Rated Pressure (Bar)	135	Total Volume (Litres)		123
Maximum Pressure (Bar)	175	Max. first stage thrust		260 KN

***TIPPING CAPACITY AT RATED PRESSURE

d = 0 ; r = 900



		BODY LENGTH (BL)			OH
		8500	9000	9500	
31	50°				150
34	52°	32	49°		450
39	55°	35	51°	33 47°	750

— Tipping angle (θ)
— Body + payload mass, W (tonne)

For guidance only;

Higher Rated Pressures may be possible. To check your application, email Edbro plc at <applications@edbro.co.uk>

NOTES

- If hydraulic pressure is used to limit overloading, the system relief valve must be set to the Rated Pressure unless agreed otherwise by Edbro
- The system relief valve can be set to Maximum Pressure if the load is limited by other means. See RATINGS page for advice
- This cylinder is for lifting purposes only and sload conditions must be avoided
- Cylinder is painted in primer paint to RAL5013
- See bracket options page BRKT01, BRKT02
- See installation instructions INSTALL01
- Use oil according to specification OIL01

*Includes 9mm Pull Out
All Stages Chrome Plated

Edbro
SETTING THE INDUSTRY STANDARD

Edbro plc
Nelson Street, Bolton, Lancashire BL3 2JJ UK
Tel +44 (0) 1204 528888 Fax +44 (0) 1204 531957
Email: postmaster@edbro.com Web: www.edbro.com

Technical Specifications are subject to change without notice
Date Created/Updated: 26 August 2009 08:06:58
Refer www.edbro.com to confirm latest specification
All dimensions are in 'mm', unless otherwise stated