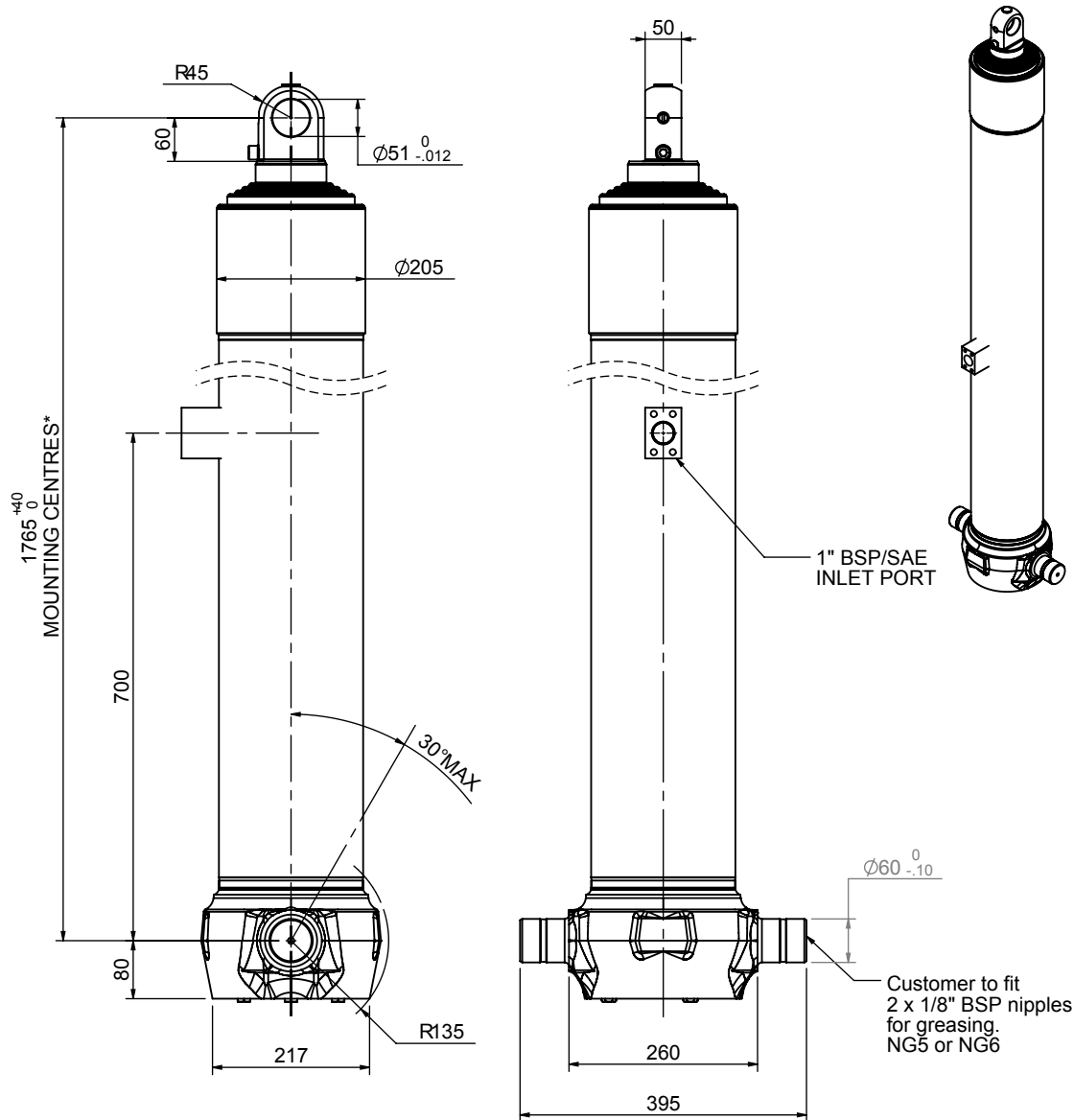


# Cylinder 5 stage front end with plain eye



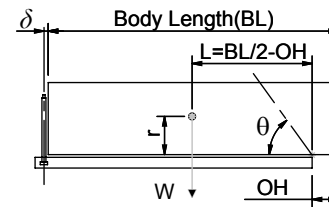
\*Includes 9mm Pull Out  
All Stages Chrome Plated

# CS170E57033S70K02C

SPECIFICATION		RATED CAPACITY : 33-41 TONNES***		
Stage	Diameter	Length	Stroke	Swept Volume
-	-	-	-	-
0	199	1725	-	-
1	176	1690	1467	36
2	155	1690	1487	28
3	136	1690	1497	22
4	117	1690	1512	16
5	98	1715	1067	8
Final stroke reduced by	450	Total (+5/-10)	7030	110
Cylinder Mass (Kg)	254.46	Priming Volume	18	
Rated Pressure (Bar)	150	Total Volume (Litres)	128	
Maximum Pressure (Bar)	175	Max. first stage thrust	260 KN	

### \*\*\*TIPPING CAPACITY AT RATED PRESSURE

d = 0 ; r = 900



BODY LENGTH (BL)					OH
8500	9000	9500			
33	51°				150
37	53°	34	50°		450
41	55°	37	52°	34 48°	750

Tipping angle ( $\theta$ )  
 Body + payload mass, W (tonne)

### For guidance only;

Higher Rated Pressures may be possible. To check your application, email Edbro plc at <applications@edbro.co.uk>

### NOTES

- If hydraulic pressure is used to limit overloading, the system relief valve must be set to the Rated Pressure unless agreed otherwise by Edbro
- The system relief valve can be set to Maximum Pressure if the load is limited by other means. See RATINGS page for advice
- This cylinder is for lifting purposes only and sload conditions must be avoided
- Cylinder is painted in primer paint to RAL5013
- See bracket options page BRKT01, BRKT02
- See installation instructions INSTALL01
- Use oil according to specification OIL01