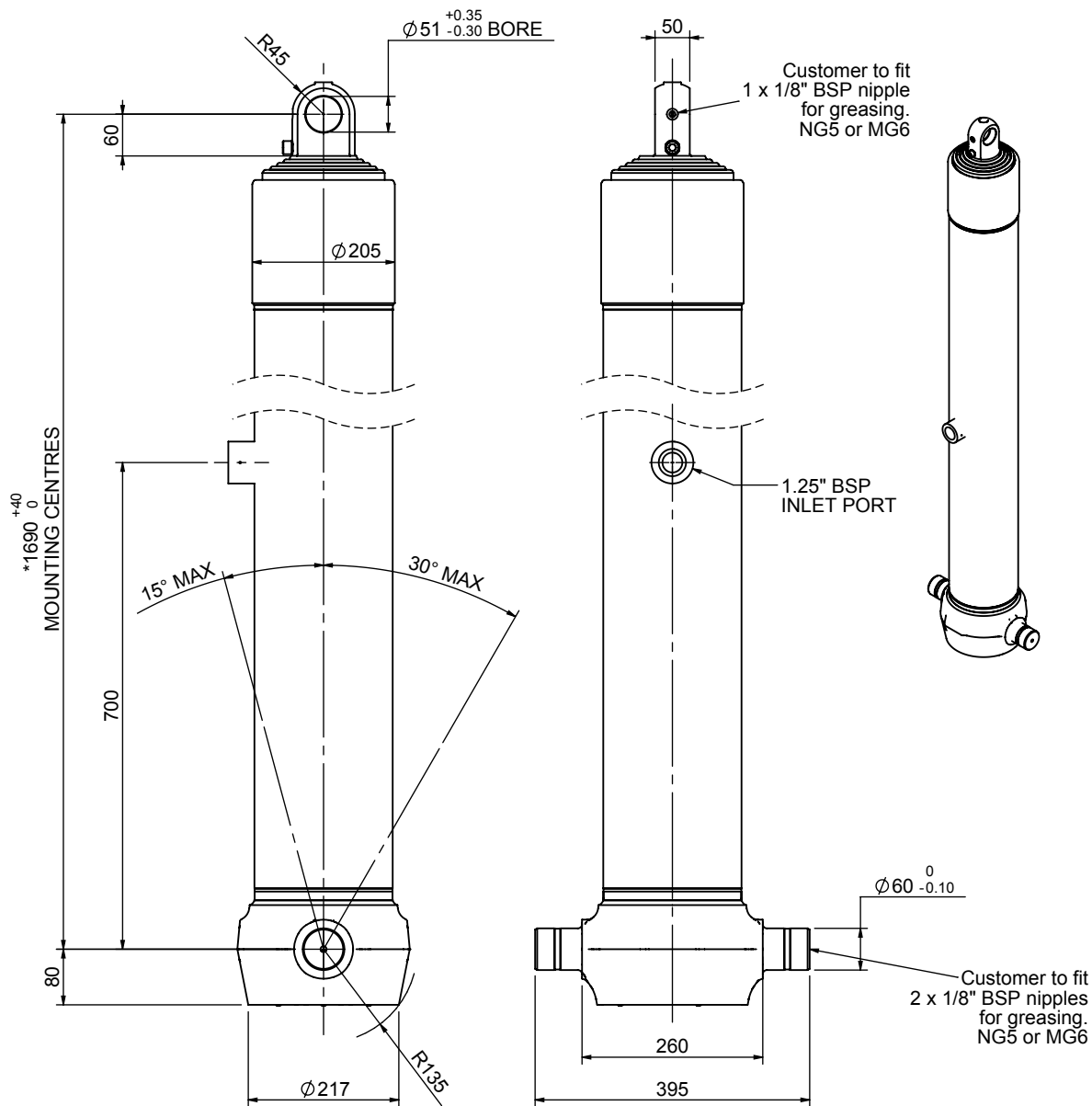


# Cylinder 5 stage front end with plain eye

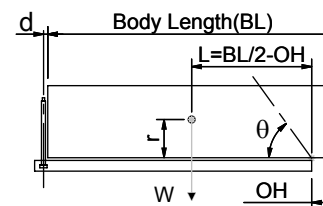


\*Includes 9mm Pull Out.  
Last Stage Chrome Plated

# CS170E57233B70A01

SPECIFICATION		TIPPING CAPACITY : 24-31 TONNES***		
Stage	Diameter	Length	Stroke	Swept Volume
-	-	-	-	-
0	199	1675	-	-
1	176	1640	1417	34
2	155	1640	1437	27
3	136	1640	1447	21
4	117	1640	1462	16
5	98	1640	1467	11
Total (+5/-10)			7230	109
Final stroke reduced by	0	Priming Volume		22
Cylinder Mass (Kg)	244	Total Volume (Litres)		131
Maximum Pressure (Bar)	190	Max. first stage thrust		265 KN

## \*\*\*TIPPING CAPACITY AT WORKING PRESSURE



		BODY LENGTH (BL)			OH	
		8750	9250	9750		
25	51°	24	48°		150	
28	53°	26	49°	25	47°	450
31	55°	28	51°	26	48°	750

d = 0; r = 900; Working Pressure 110 bar

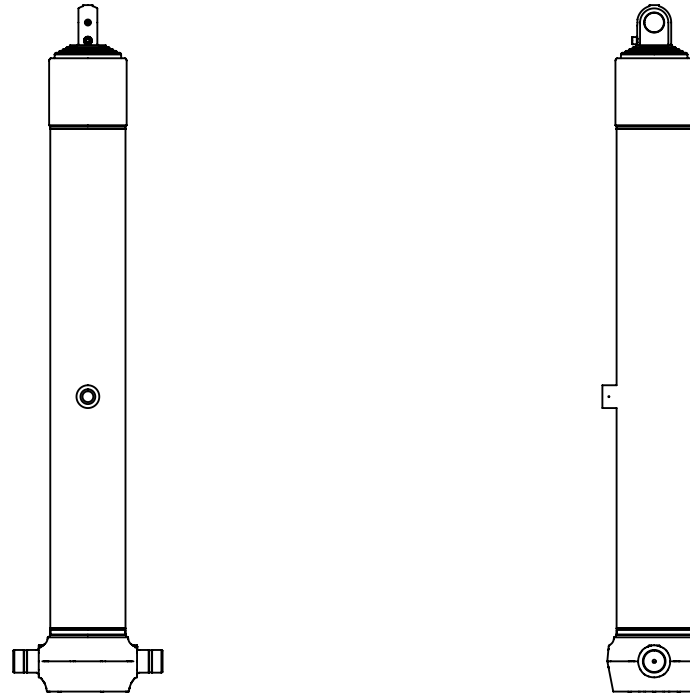
### For guidance only;

Higher working pressures and tipping capacities may be possible.

To check your application email - [applications@edbro.co.uk](mailto:applications@edbro.co.uk)

## NOTES

1. This cylinder is for lifting purposes only and side load conditions should be avoided
2. Cylinder is painted in primer paint to RAL5013
3. Refer to [www.edbro.com](http://www.edbro.com) for:-
  - Bracket details
  - Installation instructions that must be observed
  - Correct oil selection
  - An explanation of tipping capacity



CS170E57233B70A01