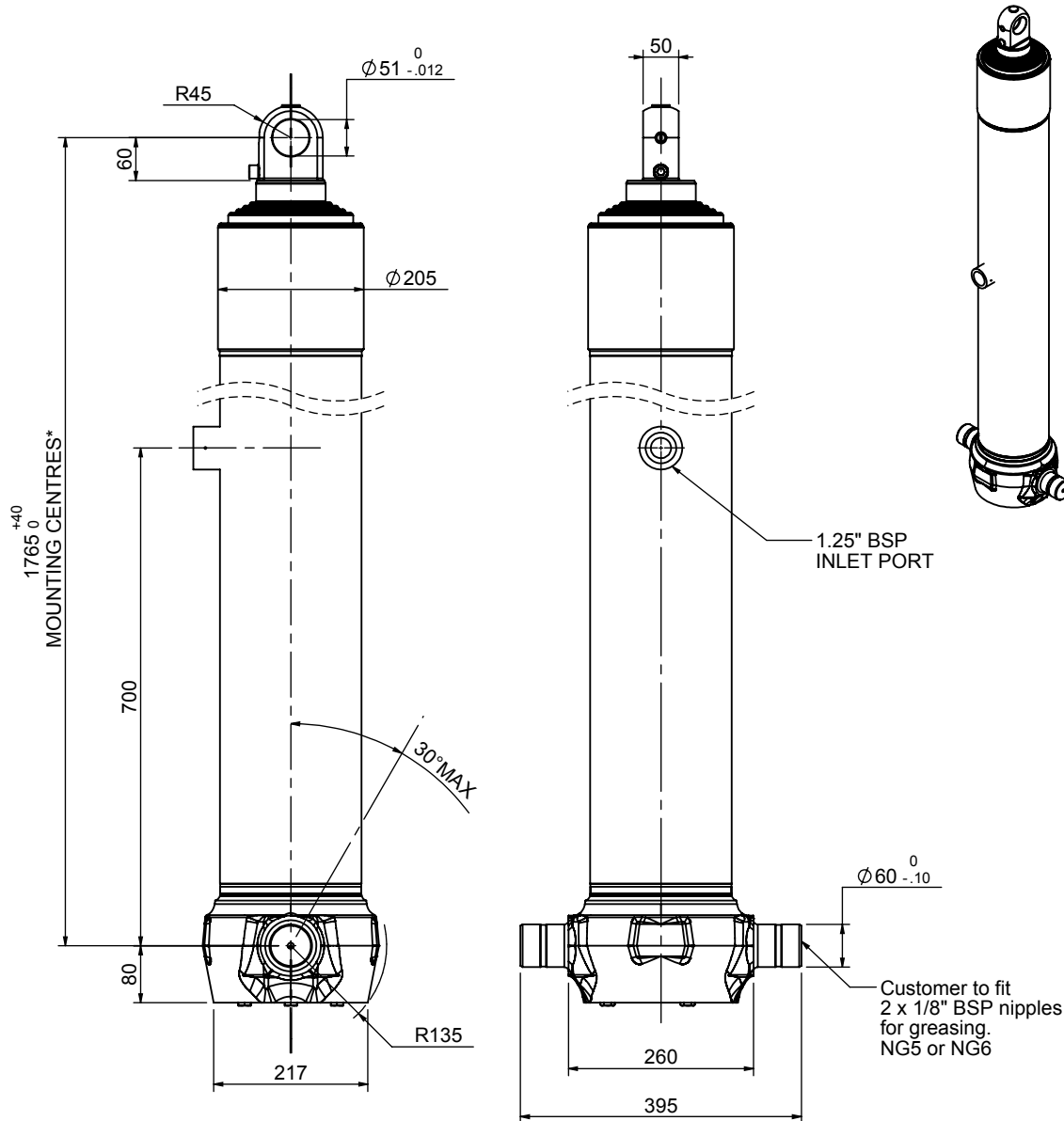


Cylinder 5 stage front end with plain eye

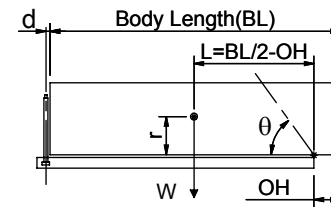
CS170E57233B70F02



SPECIFICATIO		RATED CAPACITY : REF EDBRO TONNES***		
Stage	Diameter	Length	Stroke	Swept Volume
-	-	-	-	-
0	199	1725	-	-
1	176	1690	1467	36
2	155	1690	1487	28
3	136	1690	1497	22
4	117	1690	1512	16
5	98	1715	1267	7
Final stroke reduced by	250	Total (+5/-10)	7230	112
Cylinder Mass (Kg)	224.52	Priming Volume	19	
Rated Pressure (Bar)		Total Volume (Litres)	124	
Maximum Pressure (Bar)	175	Max. first stage thrust	260 KN	

***TIPPING CAPACITY AT RATED PRESSURE

d = 0 ; r = 900



BODY LENGTH (BL)					OH
					150
					450
					750

Tipping angle (θ)
 Body + payload mass, W (tonne)

For guidance only;
 Higher Rated Pressures may be possible. To check your application, email Edbro plc at <applications@edbro.co.uk>

NOTES

- If hydraulic pressure is used to limit overloading, the system relief valve must be set to the Rated Pressure unless agreed otherwise by Edbro
- The system relief valve can be set to Maximum Pressure if the load is limited by other means. See RATINGS page for advice
- This cylinder is for lifting purposes only and sload conditions must be avoided
- Cylinder is painted in primer paint to RAL5013
- See bracket options page BRKT01, BRKT02
- See installation instructions INSTALL01
- Use oil according to specification OIL01

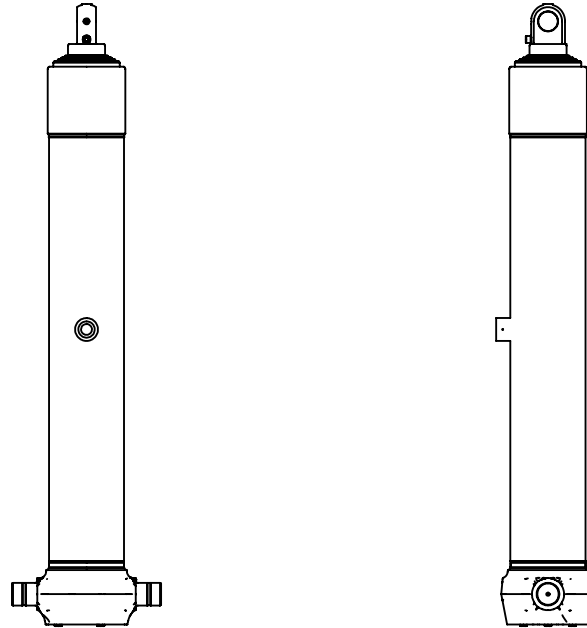
*Includes 9mm Pull Out Last Stage Chrome Plated

REFER EDBRO FOR APPLICATION DATA

Edbro
 SETTING THE INDUSTRY STANDARD

Edbro plc
 Nelson Street, Bolton, Lancashire BL3 2JJ UK
 Tel +44 (0) 1204 528888 Fax +44 (0) 1204 531957
 Email: postmaster@edbro.com Web: www.edbro.com

Technical Specifications are subject to change without notice
 Date Created/Updated: 26 August 2009 07:47:15
 Refer www.edbro.com to confirm latest specification
 All dimensions are in 'mm', unless otherwise stated



CS170E57233B70F02