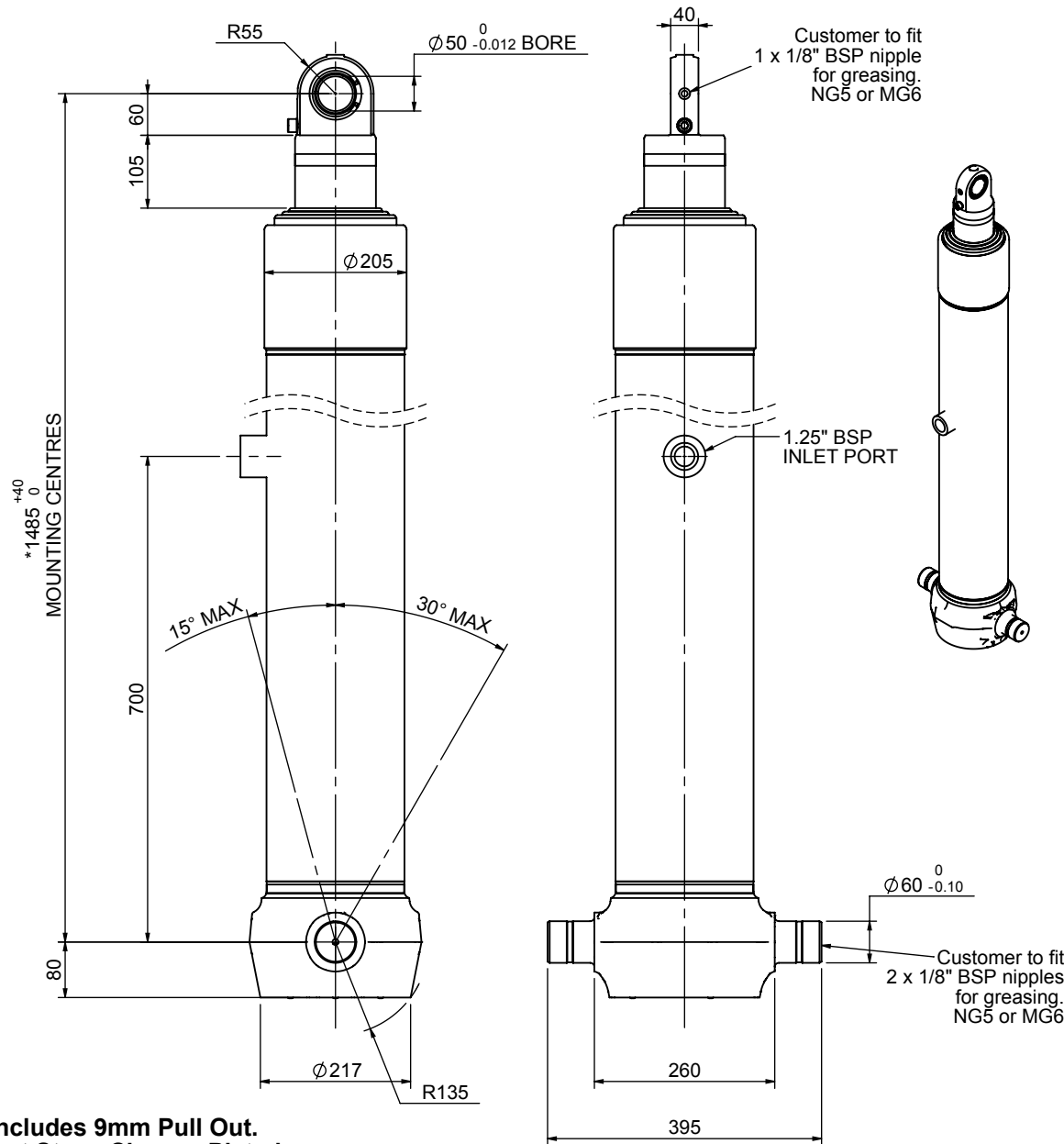


Cylinder 4 stage front end with spherical eye

CS170S44566B70A05



| SPECIFICATION | | TIPPING CAPACITY : 36-61 TONNES*** | | |
|-------------------------|----------|------------------------------------|--------|--------------|
| Stage | Diameter | Length | Stroke | Swept Volume |
| - | - | - | - | - |
| - | - | - | - | - |
| 0 | 199 | 1375 | - | - |
| 1 | 176 | 1340 | 1117 | 27 |
| 2 | 155 | 1340 | 1137 | 21 |
| 3 | 136 | 1340 | 1147 | 17 |
| 4 | 117 | 1440 | 1162 | 12 |
| Total (+5/-10) | | | 6153 | 77 |
| Final stroke reduced by | 0 | Priming Volume | | 20 |
| Cylinder Mass (Kg) | 194 | Total Volume (Litres) | | 97 |
| Maximum Pressure (Bar) | 190 | Max. first stage thrust | | 265 KN |

***TIPPING CAPACITY AT WORKING PRESSURE

| BODY LENGTH (BL) | | | | | | OH |
|------------------|------|------|-----|----|-----|-----|
| 5750 | 6250 | 6750 | | | | |
| 42 | 49° | 38 | 45° | 36 | 41° | 150 |
| 49 | 52° | 43 | 47° | 40 | 43° | 450 |
| 61 | 56° | 51 | 50° | 45 | 46° | 750 |

d = 0; r = 900; Working Pressure 120 bar
 Tipping angle (θ)
 Body + payload mass, W (tonne)

For guidance only;
 Higher working pressures and tipping capacities may be possible.
 To check your application email - applications@edbro.co.uk

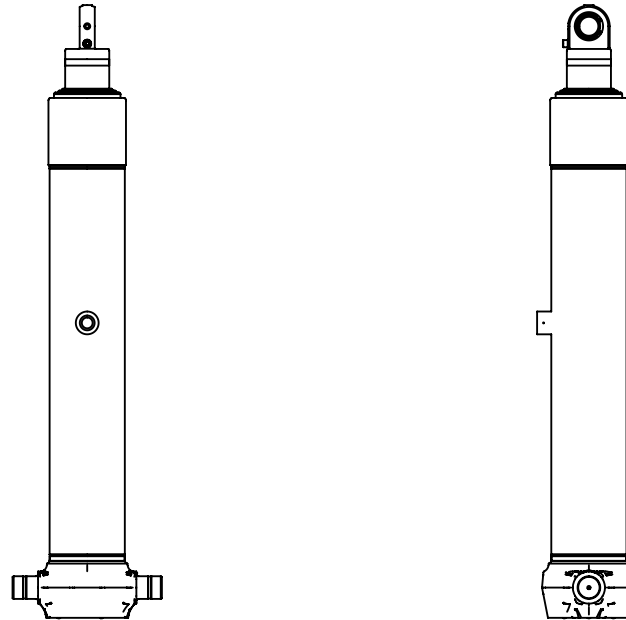
- NOTES**
- This cylinder is for lifting purposes only and side load conditions should be avoided
 - Cylinder is painted in primer paint to RAL5013
 - Refer to www.edbro.com for:-
 - Bracket details
 - Installation instructions that must be observed
 - Correct oil selection
 - An explanation of tipping capacity

*Includes 9mm Pull Out. Last Stage Chrome Plated



Edbro plc
 Nelson Street, Bolton, England, BL3 2JJ
 Tel +44 (0) 1204 528888 Fax +44 (0) 1204 531957
 Email: postmaster@edbro.com Web: www.edbro.com

Technical Specifications are subject to change without notice
 Date Created/Updated: 15 August 2012
 Refer www.edbro.com to confirm latest specification
 All dimensions are in 'mm', unless otherwise stated



CS170S44566B70A05