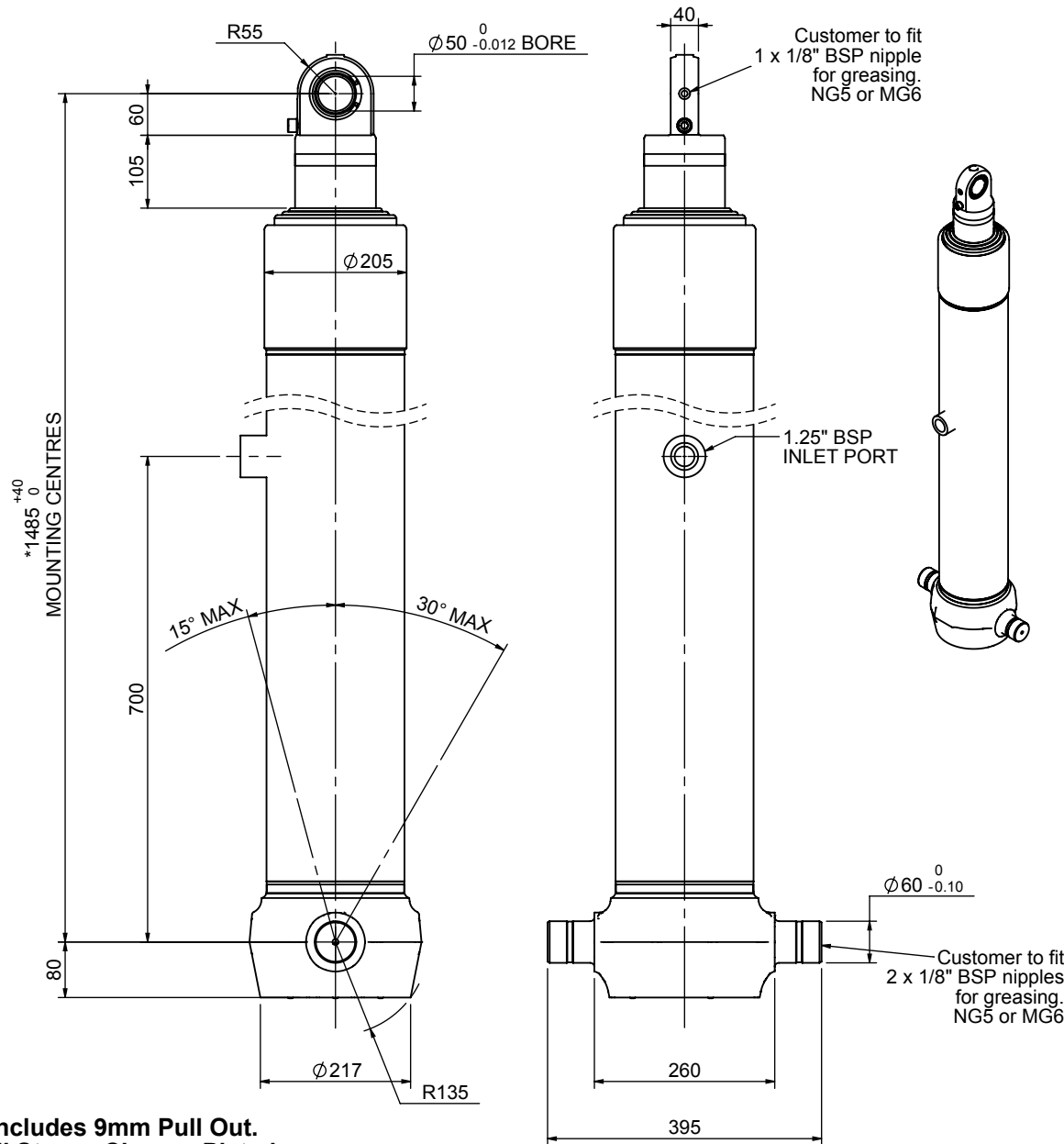


Cylinder 4 stage front end with spherical eye

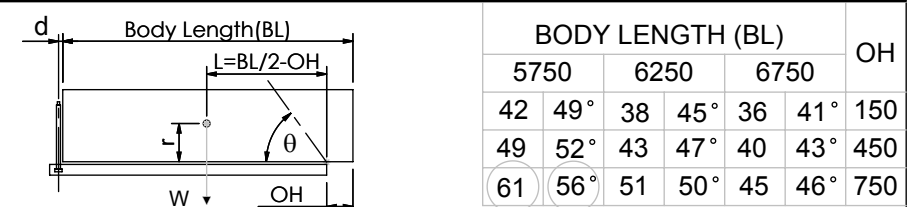
CS170S44566B70A05C



SPECIFICATION **TIPPING CAPACITY : 36-61 TONNES*****

Stage	Diameter	Length	Stroke	Swept Volume
-	-	-	-	-
-	-	-	-	-
0	199	1375	-	-
1	176	1340	1117	27
2	155	1340	1137	21
3	136	1340	1147	17
4	117	1440	1162	12
Total (+5/-10)			4563	77
Final stroke reduced by	0	Priming Volume		20
Cylinder Mass (Kg)	194	Total Volume (Litres)		97
Maximum Pressure (Bar)	190	Max. first stage thrust		265 KN

*****TIPPING CAPACITY AT WORKING PRESSURE**

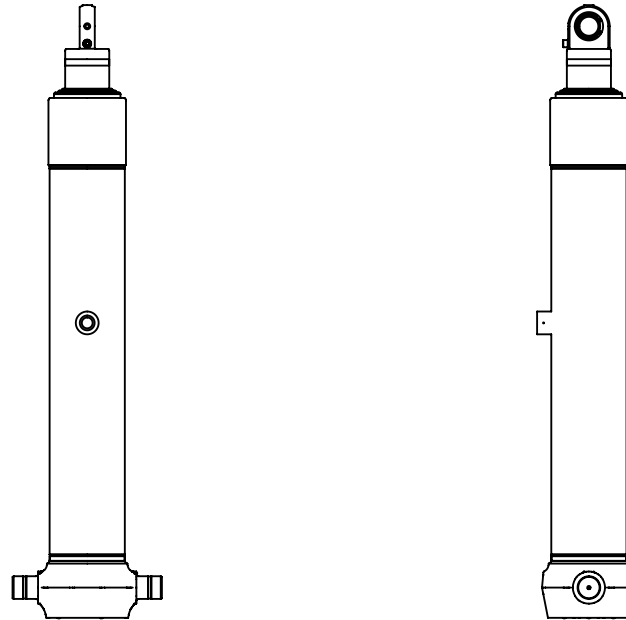


d = 0; r = 900; Working Pressure 120 bar
For guidance only;
 Higher working pressures and tipping capacities may be possible.
 To check your application email - applications@edbro.co.uk

NOTES

1. This cylinder is for lifting purposes only and side load conditions should be avoided
2. Cylinder is painted in primer paint to RAL5013
3. Refer to www.edbro.com for:-
 - Bracket details
 - Installation instructions that must be observed
 - Correct oil selection
 - An explanation of tipping capacity

*Includes 9mm Pull Out.
 All Stages Chrome Plated



CS170S44566B70A05C