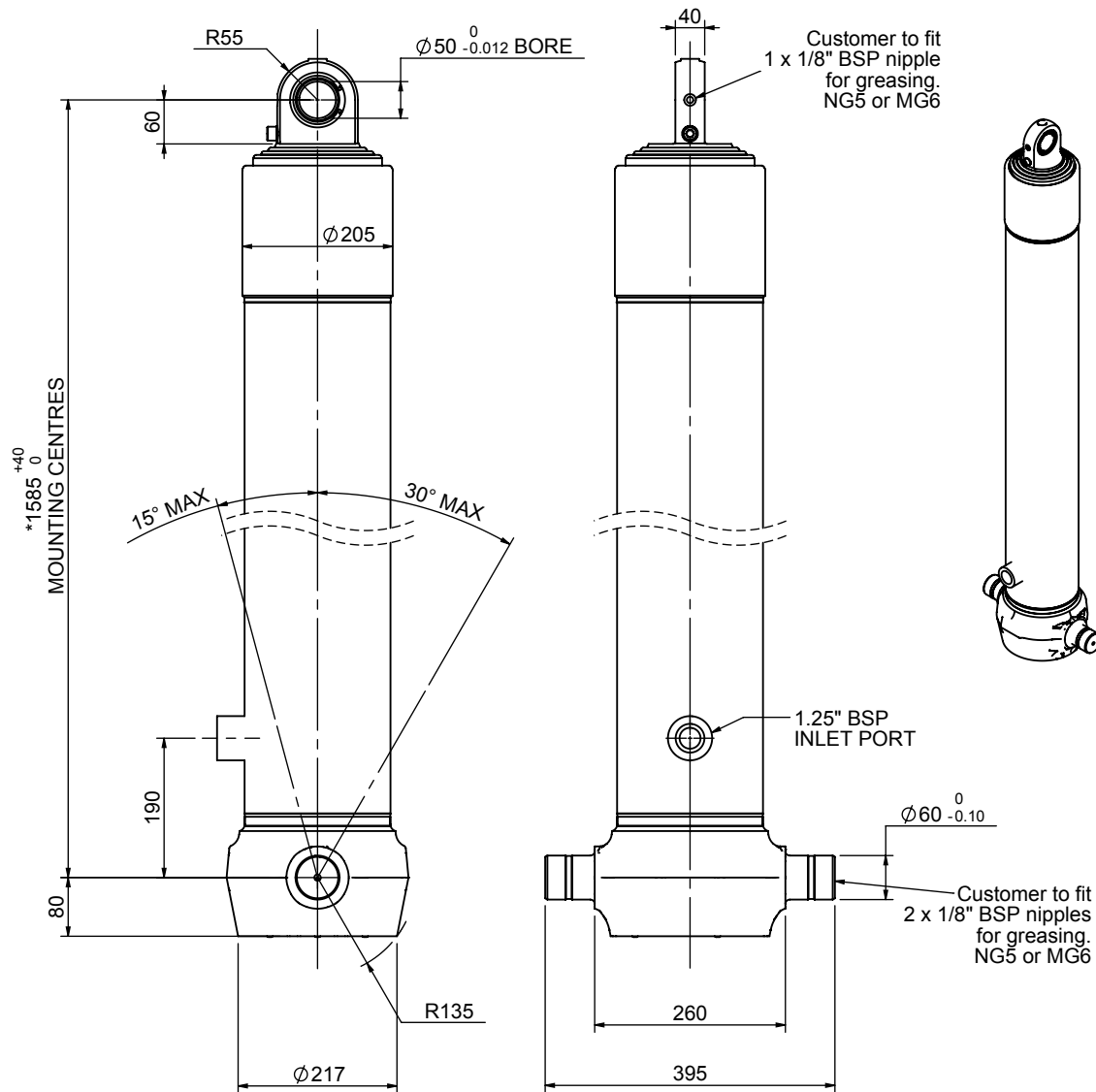


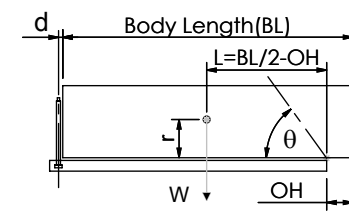
Cylinder 4 stage front end with spherical eye

CS170S45366B19A01



SPECIFICATION		TIPPING CAPACITY : 39-58 TONNES***		
Stage	Diameter	Length	Stroke	Swept Volume
-	-	-	-	-
-	-	-	-	-
0	199	1575	-	-
1	176	1540	1317	32
2	155	1540	1337	25
3	136	1540	1347	20
4	117	1540	1362	15
Total (+5/-10)			5363	92
Final stroke reduced by	0	Priming Volume		22
Cylinder Mass (Kg)	215	Total Volume (Litres)		114
Maximum Pressure (Bar)	190	Max. first stage thrust		265 KN

***TIPPING CAPACITY AT WORKING PRESSURE



BODY LENGTH (BL)						OH
6750		7250		7750		
44	49°	41	45°	39	42°	150
50	52°	46	47°	43	44°	450
58	55°	51	50°	47	46°	750

d = 0; r = 900; Working Pressure 135 bar

For guidance only;
Higher working pressures and tipping capacities may be possible.
To check your application email - applications@edbro.co.uk

NOTES

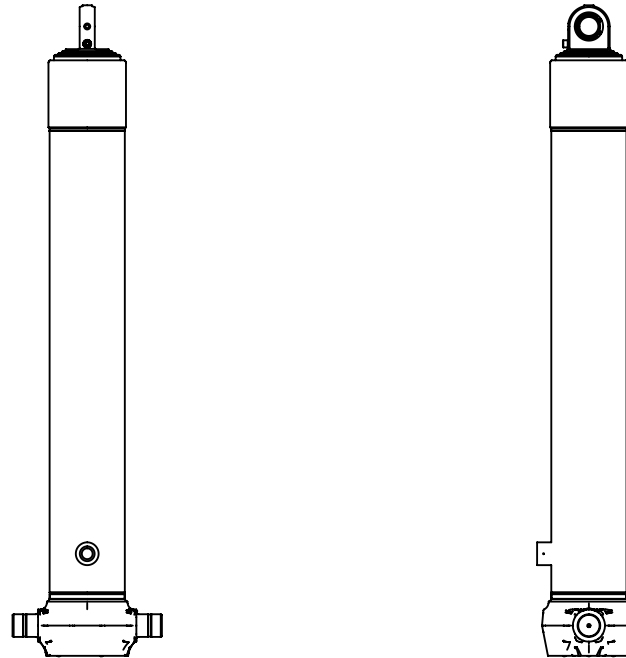
- This cylinder is for lifting purposes only and side load conditions should be avoided
- Cylinder is painted in primer paint to RAL5013
- Refer to www.edbro.com for:-
 - Bracket details
 - Installation instructions that must be observed
 - Correct oil selection
 - An explanation of tipping capacity

*Includes 9mm Pull Out. Last Stage Chrome Plated



Edbro plc
Nelson Street, Bolton, England, BL3 2JJ
Tel +44 (0) 1204 528888 Fax +44 (0) 1204 531957
Email: postmaster@edbro.com Web: www.edbro.com

Technical Specifications are subject to change without notice
Date Created/Updated: 15 August 2012
Refer www.edbro.com to confirm latest specification
All dimensions are in 'mm', unless otherwise stated



CS170S45366B19A01