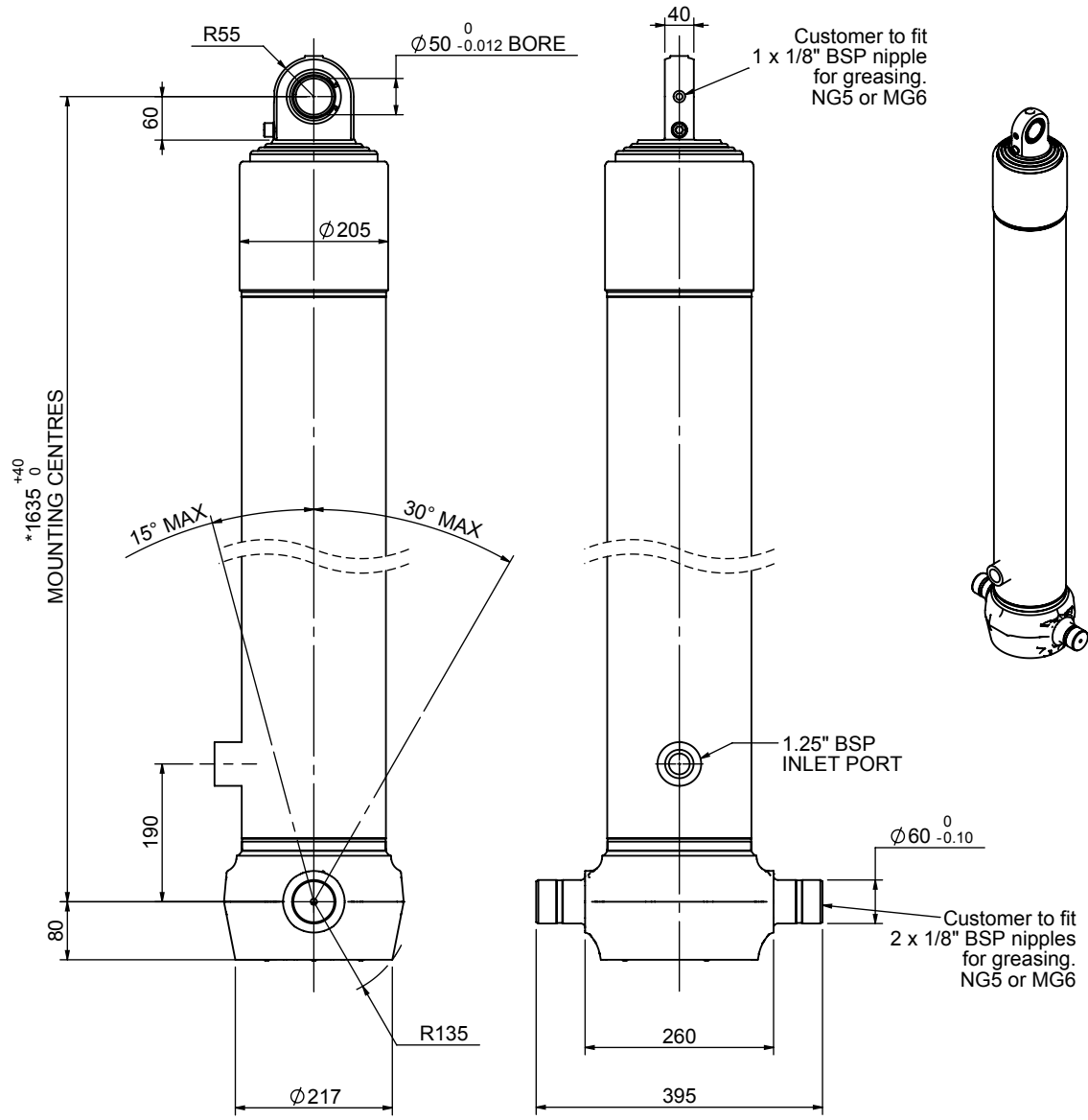


Cylinder 4 stage front end with spherical eye

CS170S45566B19A01



| SPECIFICATION | | TIPPING CAPACITY : 39-56 TONNES*** | | |
|-------------------------|----------|------------------------------------|--------|--------------|
| Stage | Diameter | Length | Stroke | Swept Volume |
| - | - | - | - | - |
| - | - | - | - | - |
| 0 | 199 | 1625 | - | - |
| 1 | 176 | 1590 | 1367 | 33 |
| 2 | 155 | 1590 | 1387 | 26 |
| 3 | 136 | 1590 | 1397 | 20 |
| 4 | 117 | 1590 | 1412 | 15 |
| Total (+5/-10) | | | 5563 | 94 |
| Final stroke reduced by | 0 | Priming Volume | | 24 |
| Cylinder Mass (Kg) | 220 | Total Volume (Litres) | | 118 |
| Maximum Pressure (Bar) | 190 | Max. first stage thrust | | 265 KN |

***TIPPING CAPACITY AT WORKING PRESSURE

| BODY LENGTH (BL) | | | | | | OH |
|------------------|------|------|-----|----|-----|-----|
| 7000 | 7500 | 8000 | | | | |
| 44 | 49° | 41 | 45° | 39 | 42° | 150 |
| 49 | 52° | 45 | 47° | 42 | 44° | 450 |
| 56 | 54° | 50 | 50° | 46 | 46° | 750 |

d = 0; r = 900; Working Pressure 135 bar

For guidance only;
Higher working pressures and tipping capacities may be possible.
To check your application email - applications@edbro.co.uk

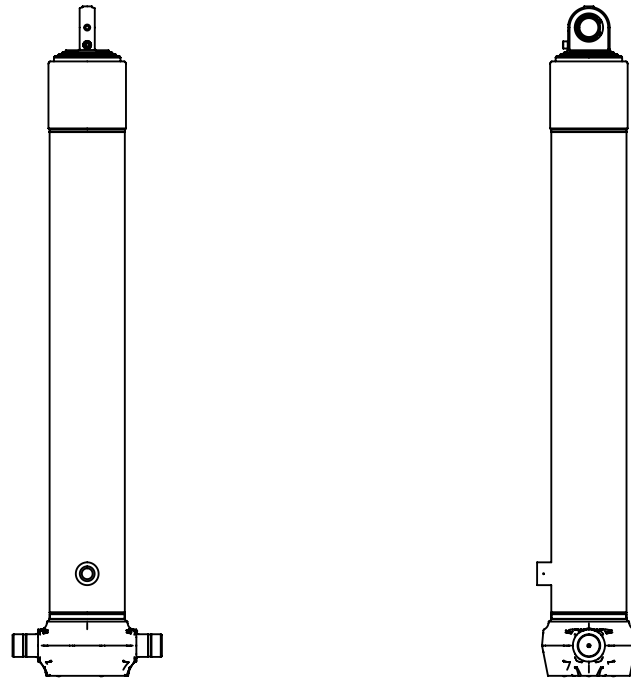
- NOTES**
1. This cylinder is for lifting purposes only and side load conditions should be avoided
 2. Cylinder is painted in primer paint to RAL5013
 3. Refer to www.edbro.com for:-
 - Bracket details
 - Installation instructions that must be observed
 - Correct oil selection
 - An explanation of tipping capacity

*Includes 9mm Pull Out.
Last Stage Chrome Plated



Edbro plc
Nelson Street, Bolton, England, BL3 2JJ
Tel +44 (0) 1204 528888 Fax +44 (0) 1204 531957
Email: postmaster@edbro.com Web: www.edbro.com

Technical Specifications are subject to change without notice
Date Created/Updated: 15 August 2012
Refer www.edbro.com to confirm latest specification
All dimensions are in 'mm', unless otherwise stated



CS170S45566B19A01