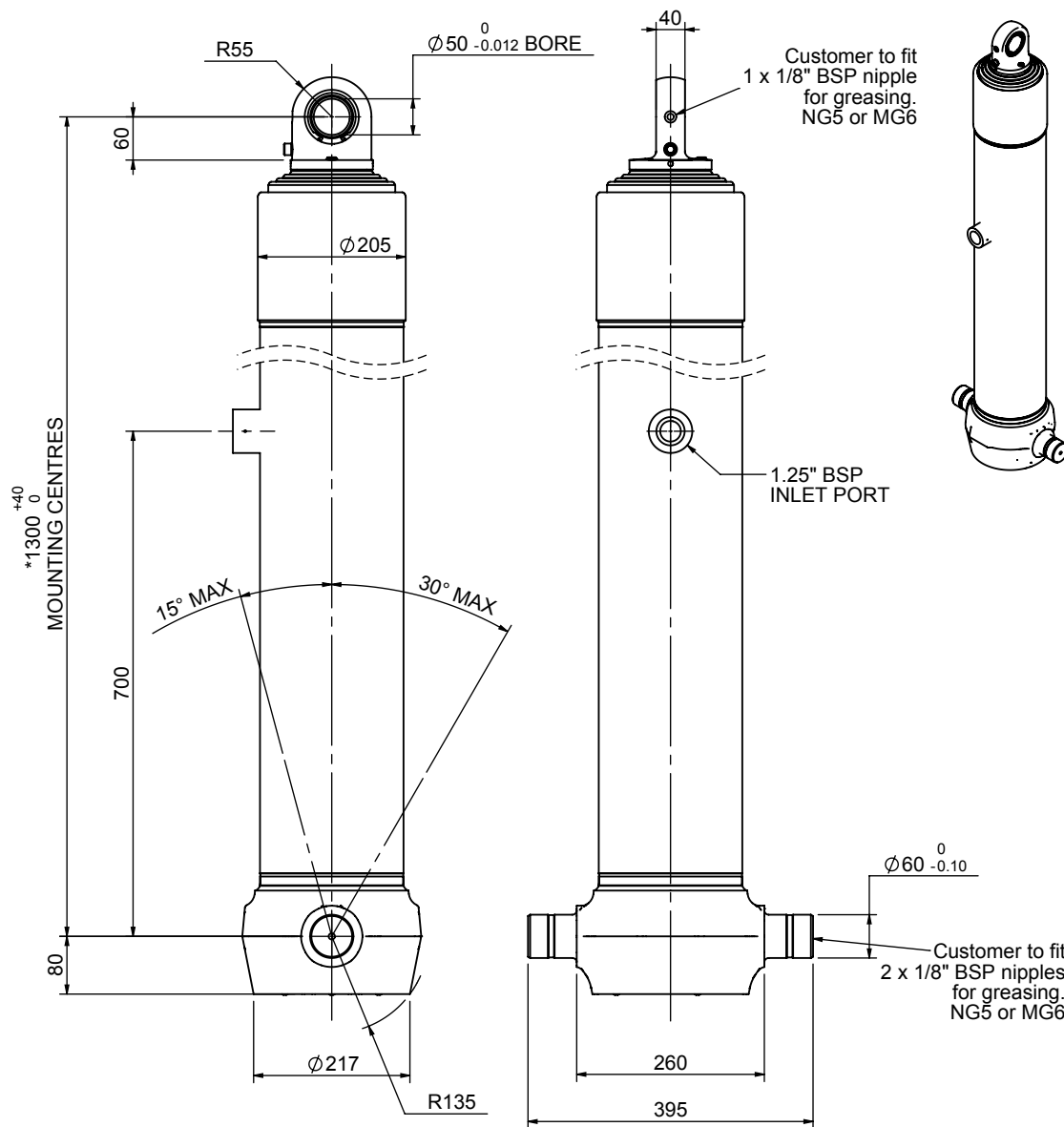


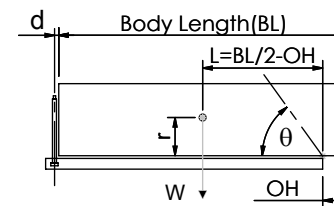
# Cylinder 5 stage front end with spherical eye

CS170S55233B70A01



SPECIFICATION		TIPPING CAPACITY : 37-56 TONNES***		
Stage	Diameter	Length	Stroke	Swept Volume
-	-	-	-	-
0	199	1275	-	-
1	176	1240	1017	25
2	155	1240	1037	20
3	136	1240	1047	15
4	117	1240	1062	11
5	98	1240	1067	8
Total (+5/-10)			5230	
Final stroke reduced by	0	Priming Volume	16	
Cylinder Mass (Kg)	197	Total Volume (Litres)	16	
Maximum Pressure (Bar)	190	Max. first stage thrust	265 KN	

### \*\*\*TIPPING CAPACITY AT WORKING PRESSURE



BODY LENGTH (BL)						OH
6750	7250	7750				
42	48°	39	44°	37	41°	150
47	50°	43	46°	40	43°	450
56	53°	49	48°	44	45°	750

d = 0; r = 900; Working Pressure 175 bar

### For guidance only;

Higher working pressures and tipping capacities may be possible.

To check your application email - [applications@edbro.co.uk](mailto:applications@edbro.co.uk)

### NOTES

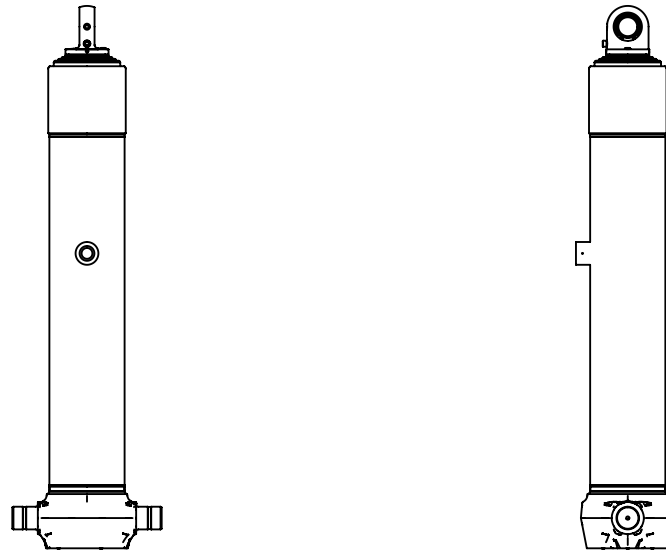
1. This cylinder is for lifting purposes only and side load conditions should be avoided
2. Cylinder is painted in primer paint to RAL5013
3. Refer to [www.edbro.com](http://www.edbro.com) for:-
  - Bracket details
  - Installation instructions that must be observed
  - Correct oil selection
  - An explanation of tipping capacity

\*Includes 9mm Pull Out.  
Last Stage Chrome Plated

**Edbro**  
SETTING THE INDUSTRY STANDARD

Edbro plc  
Nelson Street, Bolton, England, BL3 2JJ  
Tel +44 (0) 1204 528888 Fax +44 (0) 1204 531957  
Email: [postmaster@edbro.com](mailto:postmaster@edbro.com) Web: [www.edbro.com](http://www.edbro.com)

Technical Specifications are subject to change without notice  
Date Created/Updated: 15 August 2012  
Refer [www.edbro.com](http://www.edbro.com) to confirm latest specification  
All dimensions are in 'mm', unless otherwise stated



CS170S55233B70A01