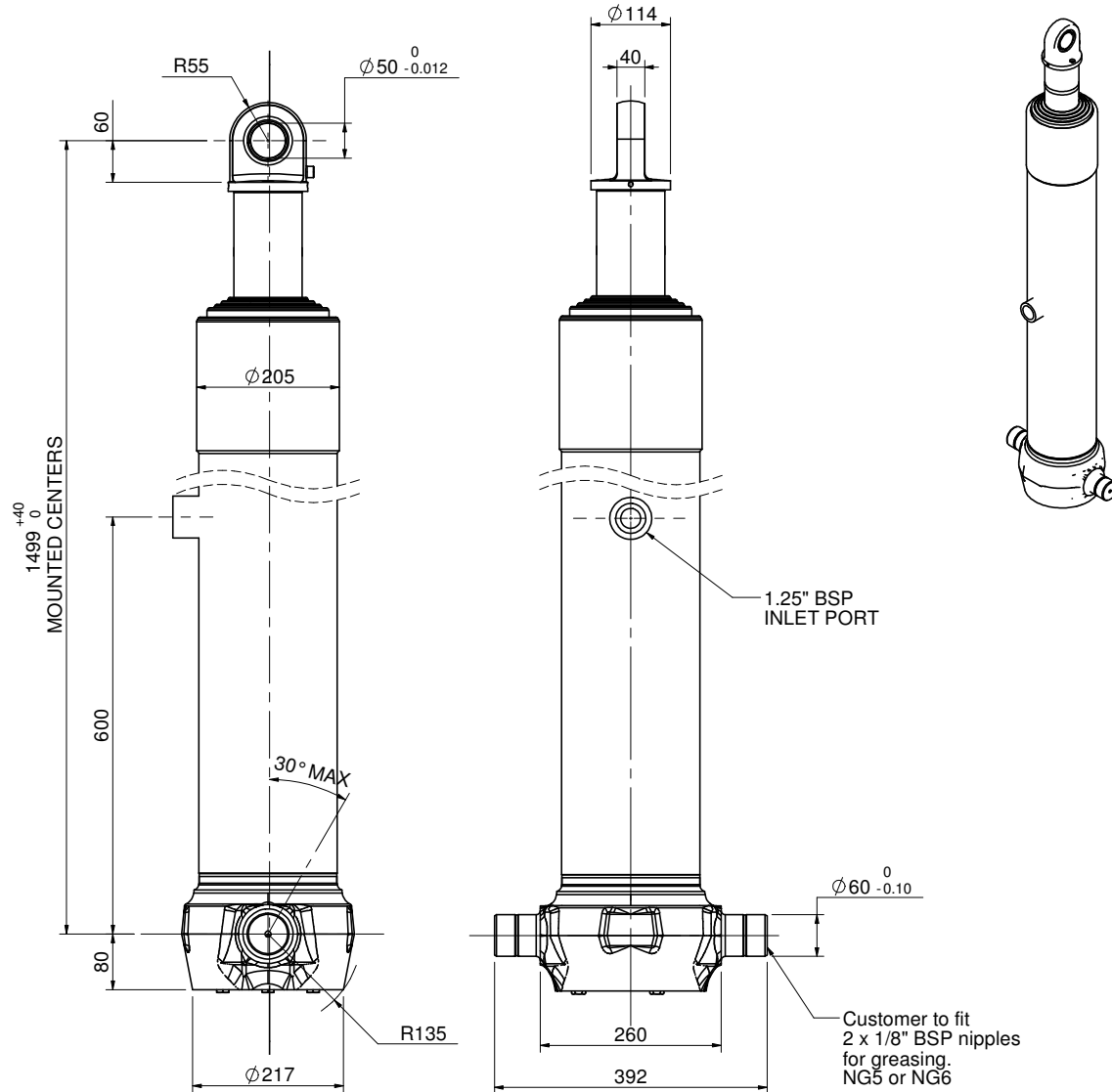


Cylinder 5 stage front end with spherical eye

CS170S55483B60A07C

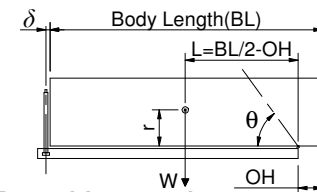


SPECIFICATION **RATED CAPACITY : 34-51 TONNES***

Stage	Diameter	Length	Stroke	Swept Volume
0	198.12	1325		
1	176.00	1290	1070	26.0
2	154.85	1290	1087	20.5
3	135.75	1290	1097	15.9
4	116.65	1290	1112	11.9
5	97.8	1440	1117	8.4
Final stroke reduced by	0	Total	5483	82.7
Cylinder Mass (Kg)	205	Priming Volume		18.0
Working Pressure (Bar)	165	Total Volume (Litres)		100.7
Maximum Pressure (Bar)	175	Max. first stage thrust		260 KN

***TIPPING CAPACITY AT RATED PRESSURE**

$\delta = 0 ; r = 900$



BODY LENGTH (BL)						OH
7000		7500		8000		
39	48°	36	45°	34	41°	150
44	51°	40	47°	37	43°	450
51	53°	45	49°	41	45°	750

Tipping angle (θ)
Body + payload mass, W (tonne)

For guidance only;

Higher working pressures may be possible. To check your application, email Edbro plc at <applications@edbro.co.uk>

NOTES

- If hydraulic pressure is used to limit overloading, the system relief valve must be set to the Working Pressure unless agreed by Edbro.
- The system relief valve can be set to Maximum Pressure if the load is limited by other means.
- This cylinder is for lifting purposes only and sideload conditions must be avoided.
- Cylinder is painted in primer paint to RAL5010.
- See bracket options page 17BRKT01.
- See installation instructions INSTALL01.
- Use oil according to specification OIL01.

This drawing is available on request in PDF (2D), DXF (2D) or Parasolid (3D) via applications@edbro.co.uk



Edbro plc
Nelson Street, Bolton, Lancashire BL3 2JJ UK
Tel +44 (0) 1204 528888 Fax +44 (0) 1204 531957
Email: postmaster@edbro.com Web: www.edbro.com

Technical Specifications are subject to change without notice
Date Created/Updated: 23 January 2009 15:46:25
Refer www.edbro.com to confirm latest specification
All dimensions are in 'mm', unless otherwise stated