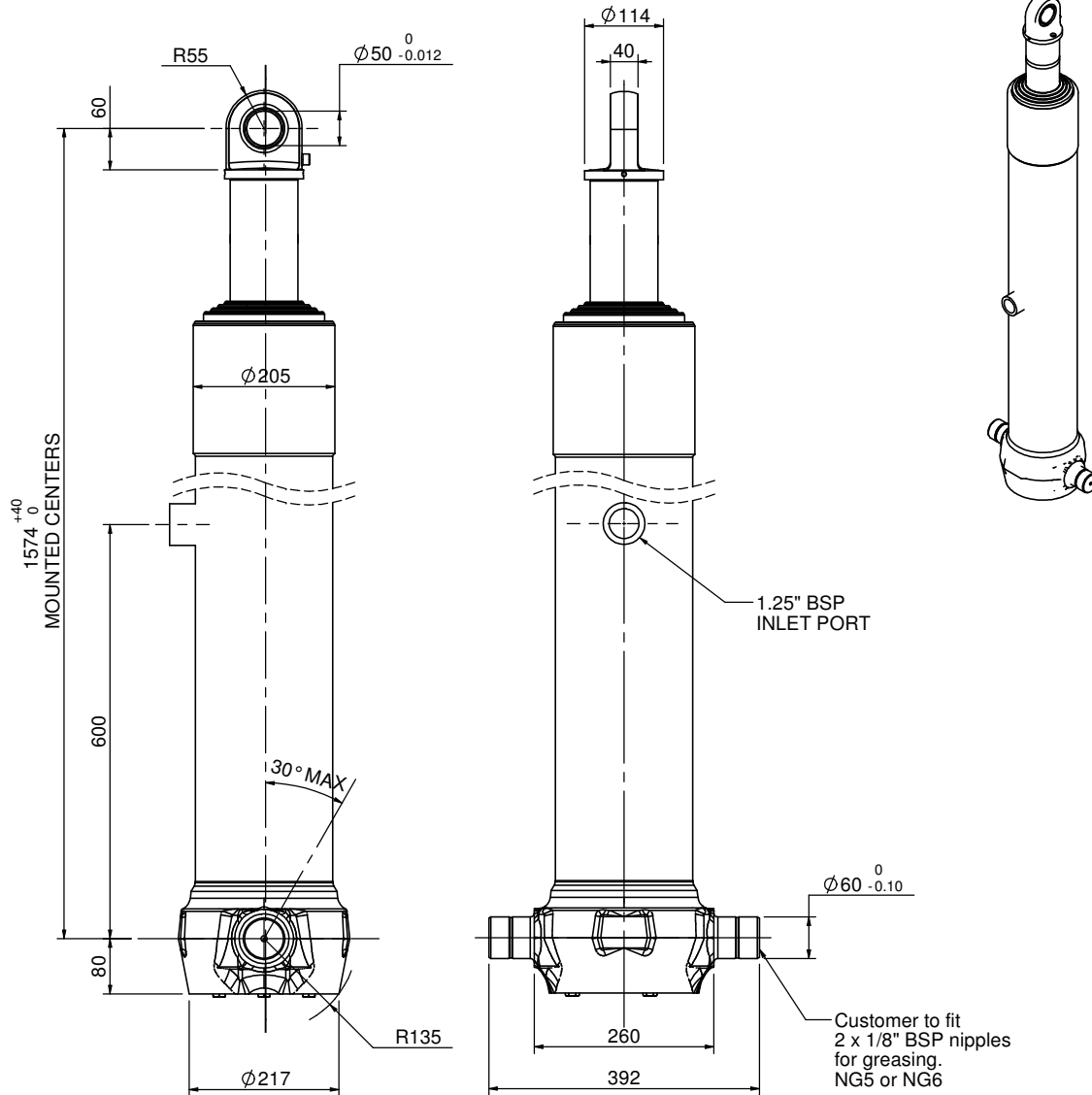


Cylinder 5 stage front end with spherical eye

CS170S55733B60A08



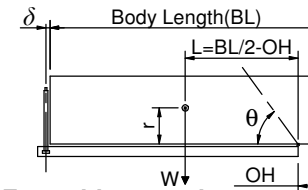
SPECIFICATION

RATED CAPACITY : 31-45 TONNES*

| Stage | Diameter | Length | Stroke | Swept Volume |
|-------------------------|----------|-------------------------|--------|--------------|
| 0 | 198.12 | 1375 | | |
| 1 | 176.00 | 1340 | 1120 | 27.2 |
| 2 | 154.85 | 1340 | 1137 | 21.4 |
| 3 | 135.75 | 1340 | 1147 | 16.6 |
| 4 | 116.65 | 1340 | 1162 | 12.4 |
| 5 | 97.8 | 1515 | 1167 | 8.8 |
| Final stroke reduced by | 0 | Total | 5733 | 86.4 |
| Cylinder Mass (Kg) | 212 | Priming Volume | | 11.0 |
| Working Pressure (Bar) | 150 | Total Volume (Litres) | | 97.4 |
| Maximum Pressure (Bar) | 175 | Max. first stage thrust | | 260 KN |

*TIPPING CAPACITY AT RATED PRESSURE

$\delta = 0 ; r = 900$



| BODY LENGTH (BL) | | | | | | OH |
|------------------|-----|------|-----|------|-----|-----|
| 7250 | | 7750 | | 8250 | | |
| 35 | 49° | 33 | 45° | 31 | 42° | 150 |
| 39 | 51° | 36 | 47° | 34 | 44° | 450 |
| 45 | 54° | 40 | 49° | 37 | 46° | 750 |

Tipping angle (θ)
Body + payload mass, W (tonne)

For guidance only;

Higher working pressures may be possible. To check your application, email Edbro plc at <applications@edbro.co.uk>

NOTES

- If hydraulic pressure is used to limit overloading, the system relief valve must be set to the Working Pressure unless agreed by Edbro.
- The system relief valve can be set to Maximum Pressure if the load is limited by other means.
- This cylinder is for lifting purposes only and sideload conditions must be avoided.
- Cylinder is painted in primer paint to RAL5010.
- See bracket options page 17BRKT01.
- See installation instructions INSTALL01.
- Use oil according to specification OIL01.

This drawing is available on request in PDF (2D), DXF (2D) or Parasolid (3D) via applications@edbro.co.uk

Edbro
SETTING THE INDUSTRY STANDARD

Edbro plc
Nelson Street, Bolton, Lancashire BL3 2JJ UK
Tel +44 (0) 1204 528888 Fax +44 (0) 1204 531957
Email: postmaster@edbro.com Web: www.edbro.com

Technical Specifications are subject to change without notice
Date Created/Updated: 23 January 2009 15:28:42
Refer www.edbro.com to confirm latest specification
All dimensions are in 'mm', unless otherwise stated