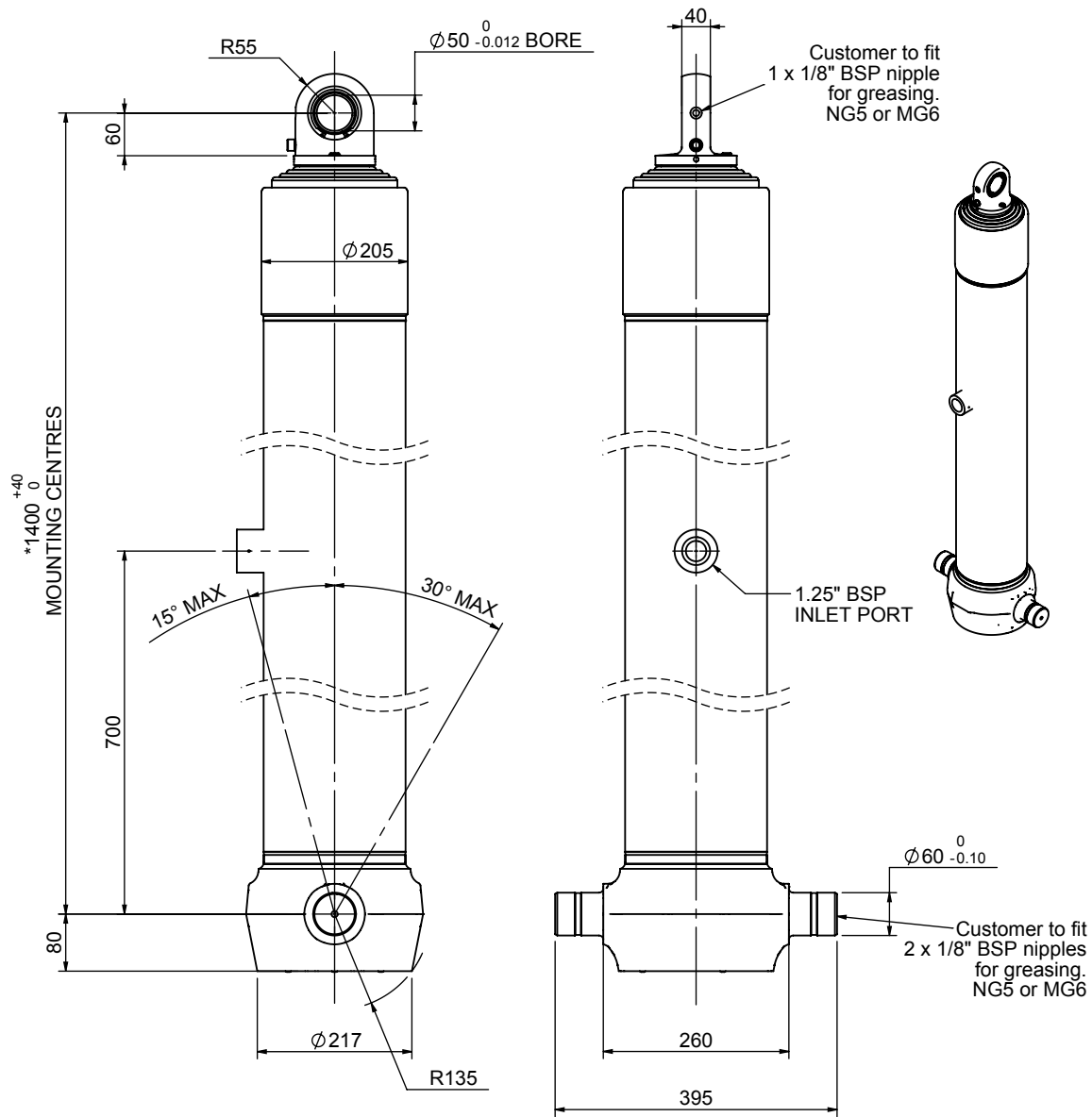


# Cylinder 5 stage front end with spherical eye

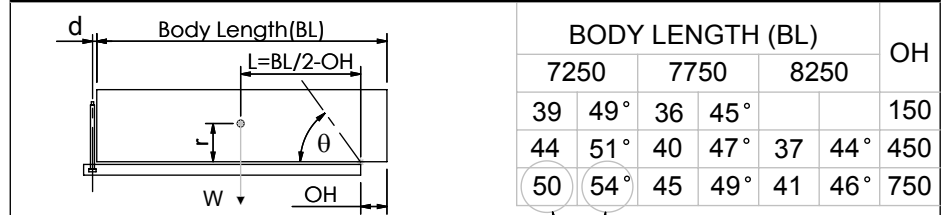
CS170S55733B70A01



**SPECIFICATION** **TIPPING CAPACITY : 36-50 TONNES\*\*\***

Stage	Diameter	Length	Stroke	Swept Volume
-	-	-	-	-
0	199	1375	-	-
1	176	1340	1117	27
2	155	1340	1137	21
3	136	1340	1147	17
4	117	1340	1162	12
5	98	1340	1167	9
Total (+5/-10)			5730	86
Final stroke reduced by	0	Priming Volume		18
Cylinder Mass (Kg)	210	Total Volume (Litres)		104
Maximum Pressure (Bar)	190	Max. first stage thrust		265 kN

**\*\*\*TIPPING CAPACITY AT WORKING PRESSURE**



$d = 0; r = 900$ ; Working Pressure 165 bar  
**For guidance only;**  
 Higher working pressures and tipping capacities may be possible.  
 To check your application email - [applications@edbro.co.uk](mailto:applications@edbro.co.uk)

**NOTES**

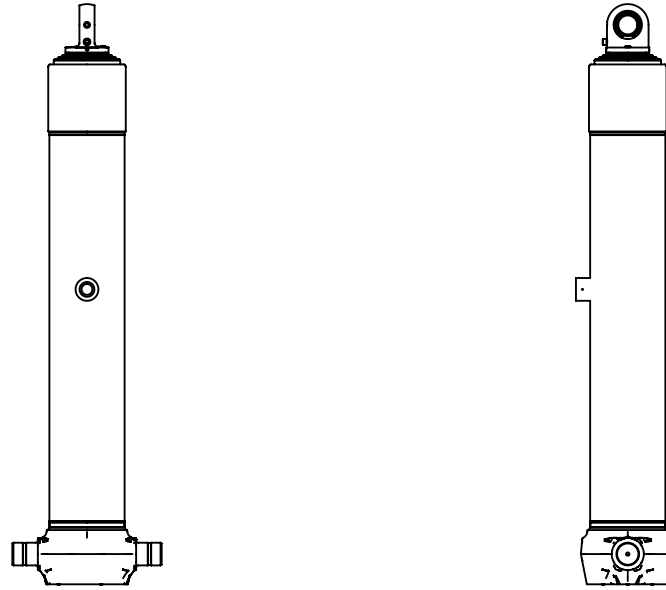
- This cylinder is for lifting purposes only and side load conditions should be avoided
- Cylinder is painted in primer paint to RAL5013
- Refer to [www.edbro.com](http://www.edbro.com) for:-
  - Bracket details
  - Installation instructions that must be observed
  - Correct oil selection
  - An explanation of tipping capacity

\*Includes 9mm Pull Out.  
 Last Stage Chrome Plated



**Edbro plc**  
 Nelson Street, Bolton, England, BL3 2JJ  
 Tel +44 (0) 1204 528888 Fax +44 (0) 1204 531957  
 Email: [postmaster@edbro.com](mailto:postmaster@edbro.com) Web: [www.edbro.com](http://www.edbro.com)

Technical Specifications are subject to change without notice  
 Date Created/Updated: 15 August 2012  
 Refer [www.edbro.com](http://www.edbro.com) to confirm latest specification  
 All dimensions are in 'mm', unless otherwise stated



CS170S55733B70A01