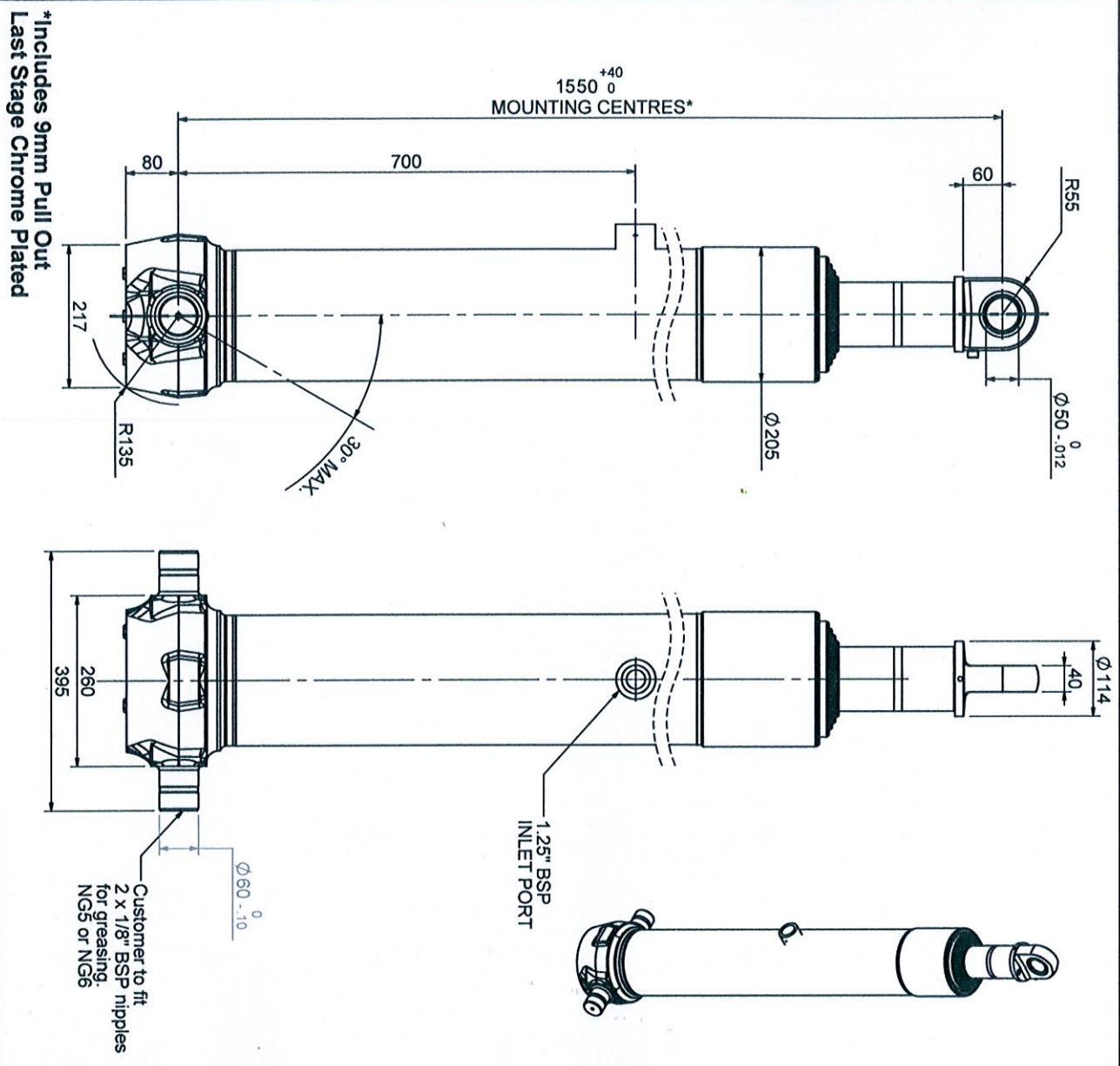


Cylinder 5 stage front end with spherical eye

CS170S55733B70A07



SPECIFICATION		RATED CAPACITY : 33-45 TONNES***			
Stage	Diameter	Length	Stroke	Swept Volume	
-	-	-	-	-	
0	199	1375	-	-	
1	176	1340	1117	27	
2	155	1340	1137	21	
3	136	1340	1147	17	
4	117	1340	1162	12	
5	98	1515	1167	9	
Final stroke reduced by	0	Total (+5/-10)	5730	86	
Cylinder Mass (Kg)	214.79	Priming Volume	18		
Rated Pressure (Bar)	150	Total Volume (Litres)	104		
Maximum Pressure (Bar)	175	Max. first stage thrust	260 KN		

*** TIPPING CAPACITY AT RATED PRESSURE					
d = 0 ; r = 900					
Ø	BODY LENGTH (BL)			OH	OH
	7250	7750	8250		
35	49°	33	45°	150	
39	51°	36	47°	34	450
45	54°	40	49°	37	46° 750

Body + payload mass, W (tonne)

For guidance only:
Higher Rated Pressures may be possible. To check your application, email Edbro plc at <applications@edbro.co.uk>

- NOTES**
- If hydraulic pressure is used to limit overloading, the system relief valve must be set to the Rated Pressure unless agreed otherwise by Edbro
 - The system relief valve can be set to Maximum Pressure if the load is limited by other means. See RATINGS page for advice
 - This cylinder is for lifting purposes only and sideload conditions must be avoided
 - Cylinder is painted in primer paint to RAL5013
 - See bracket options page BRKT01, BRKT02
 - See installation instructions INSTALL01
 - Use oil according to specification OIL01

Edbro plc
 Nelson Street, Bolton, Lancashire BL3 2JU UK
 Tel +44 (0) 1204 528888 Fax +44 (0) 1204 531957
 Email: postmaster@edbro.com Web: www.edbro.com

Edbro
 SETTING THE INDUSTRY STANDARD

Technical Specifications are subject to change without notice
 Date Created/Updated: 18 September 2009 13:18:14
 Refer www.edbro.com to confirm latest specification
 All dimensions are in 'mm', unless otherwise stated

*Includes 9mm Pull Out
 Last Stage Chrome Plated