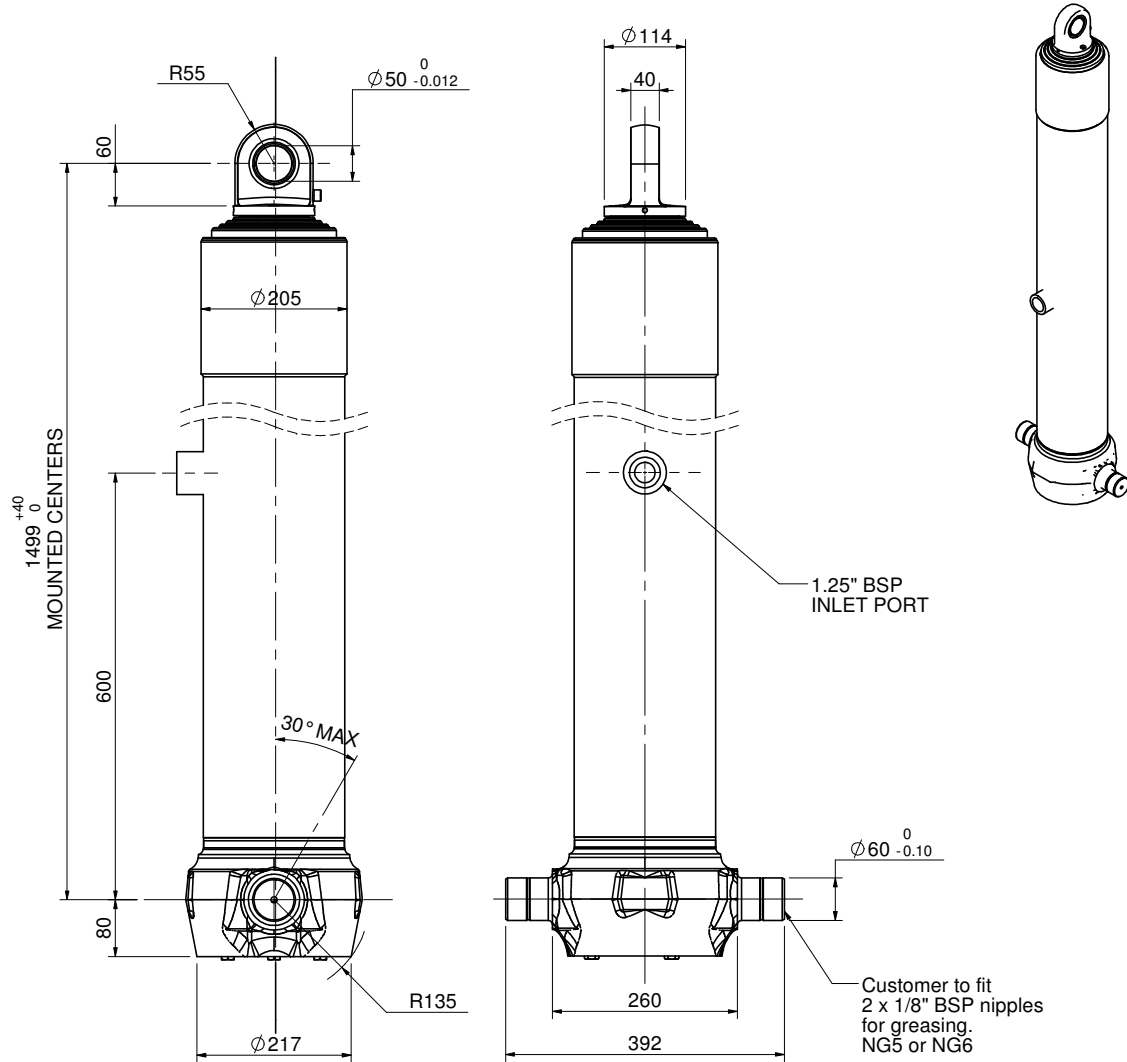


Cylinder 5 stage front end with spherical eye

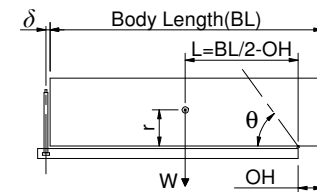
CS170S56233B60A01



SPECIFICATION		RATED CAPACITY : 31-44 TONNES*		
Stage	Diameter	Length	Stroke	Swept Volume
0	198.12	1475		
1	176.00	1440	1220	29.7
2	154.85	1440	1237	23.3
3	135.75	1440	1247	18.0
4	116.65	1440	1262	13.5
5	97.8	1440	1267	9.5
Final stroke reduced by	0	Total	6233	94.0
Cylinder Mass (Kg)	221	Priming Volume		10.0
Working Pressure (Bar)	150	Total Volume (Litres)		104
Maximum Pressure (Bar)	175	Max. first stage thrust		260 KN

***TIPPING CAPACITY AT RATED PRESSURE**

$\delta = 0 ; r = 900$



BODY LENGTH (BL)							OH
7750		8250		8750			
35	49°	33	46°	31	43°	150	
39	52°	36	48°	34	45°	450	
44	54°	40	50°	37	47°	750	

Tipping angle (θ)
Body + payload mass, W (tonne)

For guidance only;

Higher working pressures may be possible. To check your application, email Edbro plc at <applications@edbro.co.uk>

NOTES

- If hydraulic pressure is used to limit overloading, the system relief valve must be set to the Working Pressure unless agreed by Edbro.
- The system relief valve can be set to Maximum Pressure if the load is limited by other means.
- This cylinder is for lifting purposes only and sideload conditions must be avoided.
- Cylinder is painted in primer paint to RAL5010.
- See bracket options page 17BRKT01.
- See installation instructions INSTALL01.
- Use oil according to specification OIL01.

This drawing is available on request in PDF (2D), DXF (2D) or Parasolid (3D) via applications@edbro.co.uk



Edbro plc
Nelson Street, Bolton, Lancashire BL3 2JJ UK
Tel +44 (0) 1204 528888 Fax +44 (0) 1204 531957
Email: postmaster@edbro.com Web: www.edbro.com

Technical Specifications are subject to change without notice
Date Created/Updated: 23 January 2009 15:11:55
Refer www.edbro.com to confirm latest specification
All dimensions are in 'mm', unless otherwise stated